

Installation Manual

TRIO
Expansion
Unit



TRIO Expansion

Controller Relays

Ag/MIS/ImEN-2806-04/21 Rev 1.3
P/N: 116846



TRIO Expansion Unit

User and Installation Manual

Rev 1.3, 02/2024

Product Software: N/A

This manual for use and maintenance is an integral part of the apparatus together with the attached technical documentation.

This document is destined for the user of the apparatus: it may not be reproduced in whole or in part, committed to computer memory as a file or delivered to third parties without the prior authorization of the assembler of the system.

Munters reserves the right to effect modifications to the apparatus in accordance with technical and legal developments.

Index

<i>Chapter</i>		<i>page</i>
1	INTRODUCTION	4
1.1	Disclaimer	4
1.2	Introduction	4
1.3	Notes	4
2	UNIT INSTALLATION	5
2.1	Preliminary Information	5
2.1.1	Precautions	5
2.1.2	Safety Precautions	5
2.1.2.1	Grounding and Shielded Wiring	5
2.1.2.2	Installation and Electrical Connections	6
2.1.3	What Comes in the Package	6
2.2	Mounting the Unit	6
2.2.1	Knockouts	6
2.2.2	Hanging the Unit	7
2.3	Layout	8
2.4	Wiring Diagrams	8
2.4.1	TRIO to TRIO Expansion Wiring	9
2.4.1.1	Wiring	9
2.4.1.2	Address	10
2.4.1.3	Restart	10
2.4.2	High Voltage Relays	11
2.4.3	Power	12
2.5	Key	13
2.6	Product Symbols	13
3	MAPPING DEVICES	14
4	SPECIFICATIONS	16
5	SPARE PARTS	17
5.1	Preliminary Information	17
5.2	TRIO 10 Expansion Container Spare Parts	17
5.3	TRIO 10 Expansion Main Container Spare Parts	19
5.4	Main Container Card Spare Parts	20
6	WARRANTY	21

1 Introduction

1.1 Disclaimer

Munters reserves the right to make alterations to specifications, quantities, dimensions etc. for production or other reasons, subsequent to publication. The information contained herein has been prepared by qualified experts within Munters. While we believe the information is accurate and complete, we make no warranty or representation for any particular purposes. The information is offered in good faith and with the understanding that any use of the units or accessories in breach of the directions and warnings in this document is at the sole discretion and risk of the user.

1.2 Introduction

Congratulations on your excellent choice of purchasing a TRIO Expansion!

In order to realize the full benefit from this product it is important that it is installed, commissioned and operated correctly. Before installation or using the controller, this manual should be studied carefully. It is also recommended that it is kept safely for future reference. The manual is intended as a reference for installation, commissioning and day-to-day operation of the Munters Controllers.

1.3 Notes

Date of release: May 2021

Munters cannot guarantee to inform users about the changes or to distribute new manuals to them.

All rights reserved. No part of this manual may be reproduced in any manner whatsoever without the expressed written permission of Munters. The contents of this manual are subject to change without notice.

2 Unit Installation

The following sections detail how to mount and wire the TRIO Expansion Unit.

NOTE Munters recommends that a trained technician perform the following operations.

- Preliminary Information
- Mounting the Unit
- Layout
- Wiring Diagrams
- Key
- Product Symbols

2.1 Preliminary Information

- Precautions
- Safety Precautions
- What Comes in the Package

2.1.1 PRECAUTIONS

- Protection provided by the equipment can be impaired if the equipment is used in a manner not specified by the manufacturer!
- There is a risk of explosion if the lithium battery is replaced with an incorrect type. Replace the battery using the same type and manufacturer only.
- Keep the Expansion Unit as far as possible from heavy contactor boxes and other sources of electrical interference.

2.1.2 SAFETY PRECAUTIONS

CAUTION These units must be installed by an authorized electrician. Disconnect the power to avoid electrical shock and damage.

NOTE Installation Category (Over voltage Category) II

- The power supply to the controller should be protected by 1 amps circuit breaker.
- All electrical connections should comply with National Electrical code (NEC).

2.1.2.1 Grounding and Shielded Wiring

- **From the ground terminal, run a heavy wire directly to the ground rod. If necessary, run a heavy ground wire to the electrical service grounding system rather than directly to the ground rod.**
- Do not use light wires for these ground connections. They must carry heavy lightning currents, sometimes exceeding thousands of amperes. Certainly, do not use the shielding of sensor and low voltage wiring for this purpose.

- Every low power device (digital, analog, or communication) must have a shield cable connected to the unit ground strip.

2.1.2.2 Installation and Electrical Connections

- Install computerized electronic controls at least three feet (one meter) away from interference sources such as high voltage wiring to motors, variable speed, light dimmers, relays.
- Install electronic controls in a separate ventilated control room that is protected from extreme temperatures and dirty environments. Place the controls so that the operators can conveniently use the control and read indicators and displays.
- Keep low voltage wires separate from high voltage wires.
- Use shielded wiring for low level signals. For buried wiring (building to building runs) use high grade jell filled cables that are impervious to moisture.
- Seal cable entry points and control boxes to prevent contamination and corrosion. If you use silicon sealant with acetic acid cure, keep the control open and ventilated until cured. Otherwise, the acetic acid will attack the metal parts, including circuitry.

2.1.3 WHAT COMES IN THE PACKAGE

- One expansion unit
- One hanging bracket
- Two screws

2.2 Mounting the Unit

- Knockouts
- Hanging the Unit

2.2.1 KNOCKOUTS

1. Using the supplied clips and screws, mount the TRIO Expansion.
2. On the bottom the unit are knockouts used to route the low and high voltage cables.

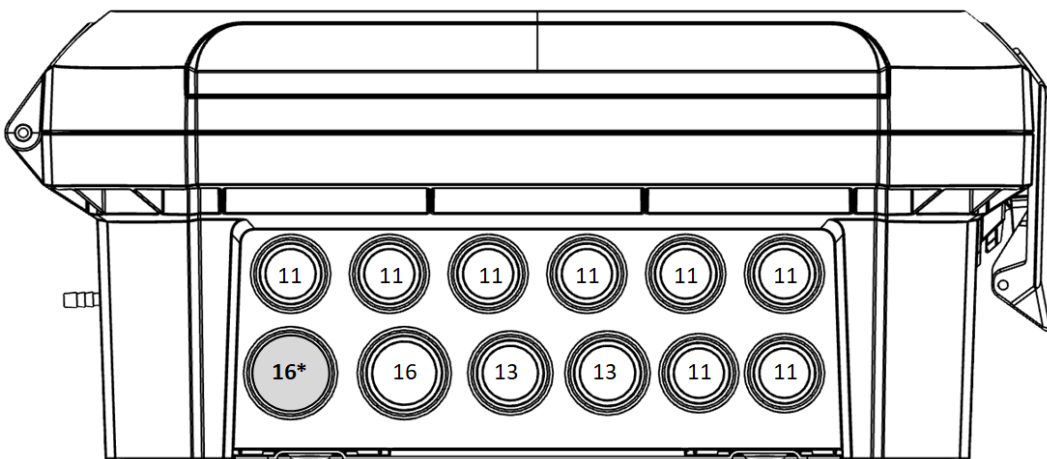


Figure 1: Expansion Knockouts and PG Size

- Using a screwdriver and a hammer, gently apply pressure to the knockouts.
- **Only open up the holes that you require.**
- Munters recommends removing the knockouts before mounting the unit.

3. Place the required cables through the cable holders at the bottom of the unit.

CAUTION Run low voltage cables through one knockout and high voltage relay cables through a separate knockout. Do not place them in the same knockout!

4. Close the Expansion Unit enclosure lid carefully and tightly. Use RTV silicon or equivalent sealant to seal the cable holders.

CAUTION Munters strongly recommends that you seal all entry spots with RTV silicon. Failure to do so can lead to damage to the unit.

5. After installation is completed, operate the Expansion Unit for a few hours and re-check for proper operation.

2.2.2 HANGING THE UNIT

1. Attach the bracket to the wall (customer supplies the screws).

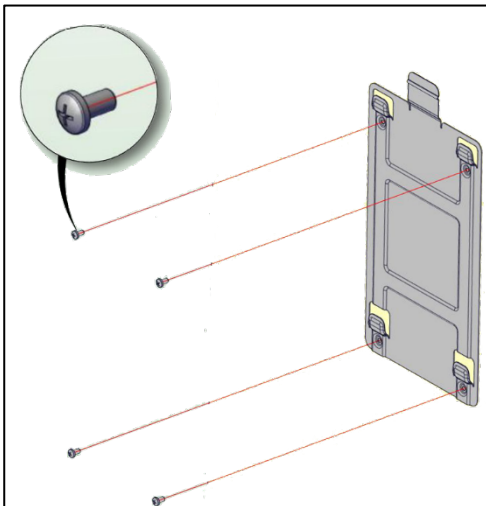


Figure 2: Attaching the bracket

2. Hang the TRIO on the bracket.

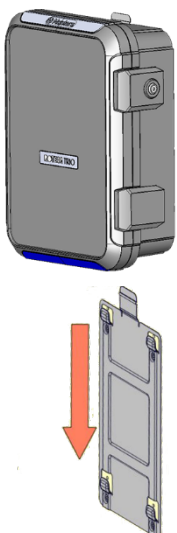


Figure 3: Hanging the Unit

3. Secure the unit to the wall using the two screws provided (optional).

2.3 Layout

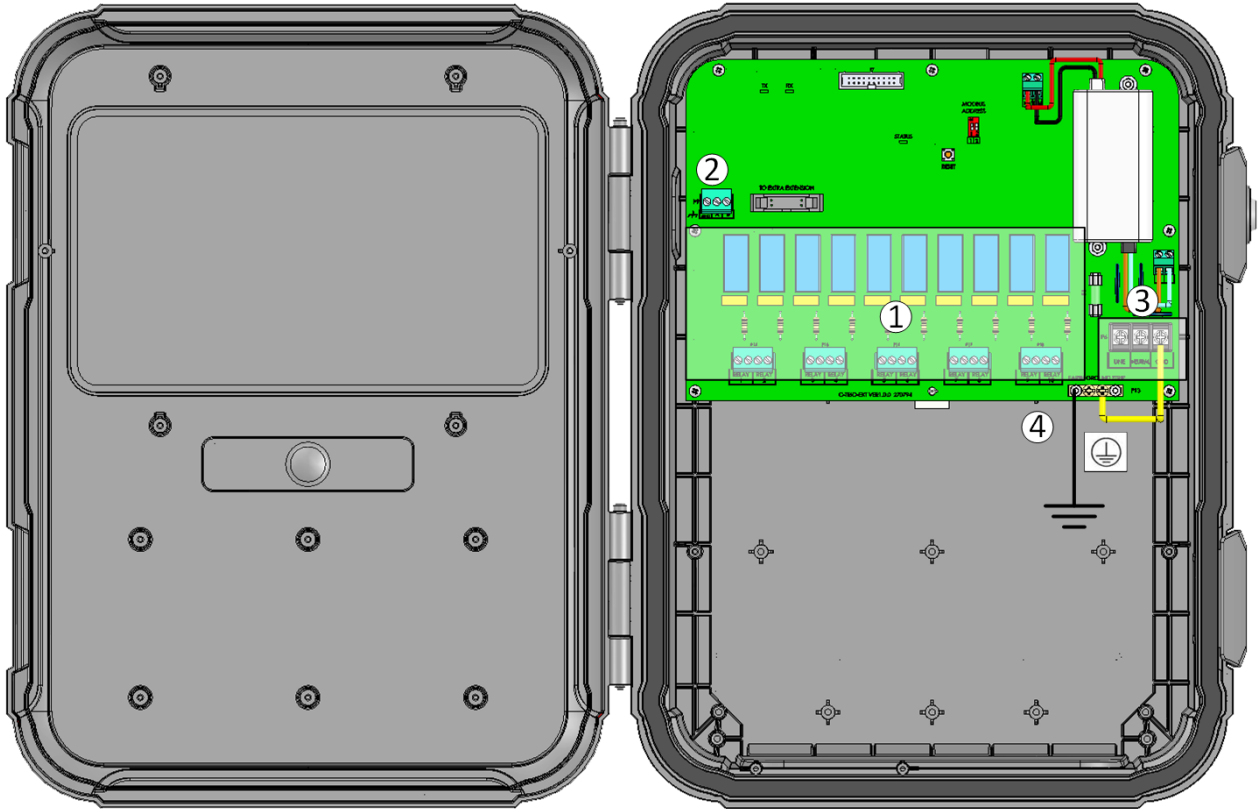


Figure 4: Board layout

1	10 relays
2	RS-485 ports
3	Power ports
4	Ground strip

2.4 Wiring Diagrams

- TRIO to TRIO Expansion Wiring
- High Voltage Relays
- Power

2.4.1 TRIO TO TRIO EXPANSION WIRING

Connecting the Trio to its Expansion Unit consists of three steps:

- Wiring
- Address
- Restart

2.4.1.1 Wiring

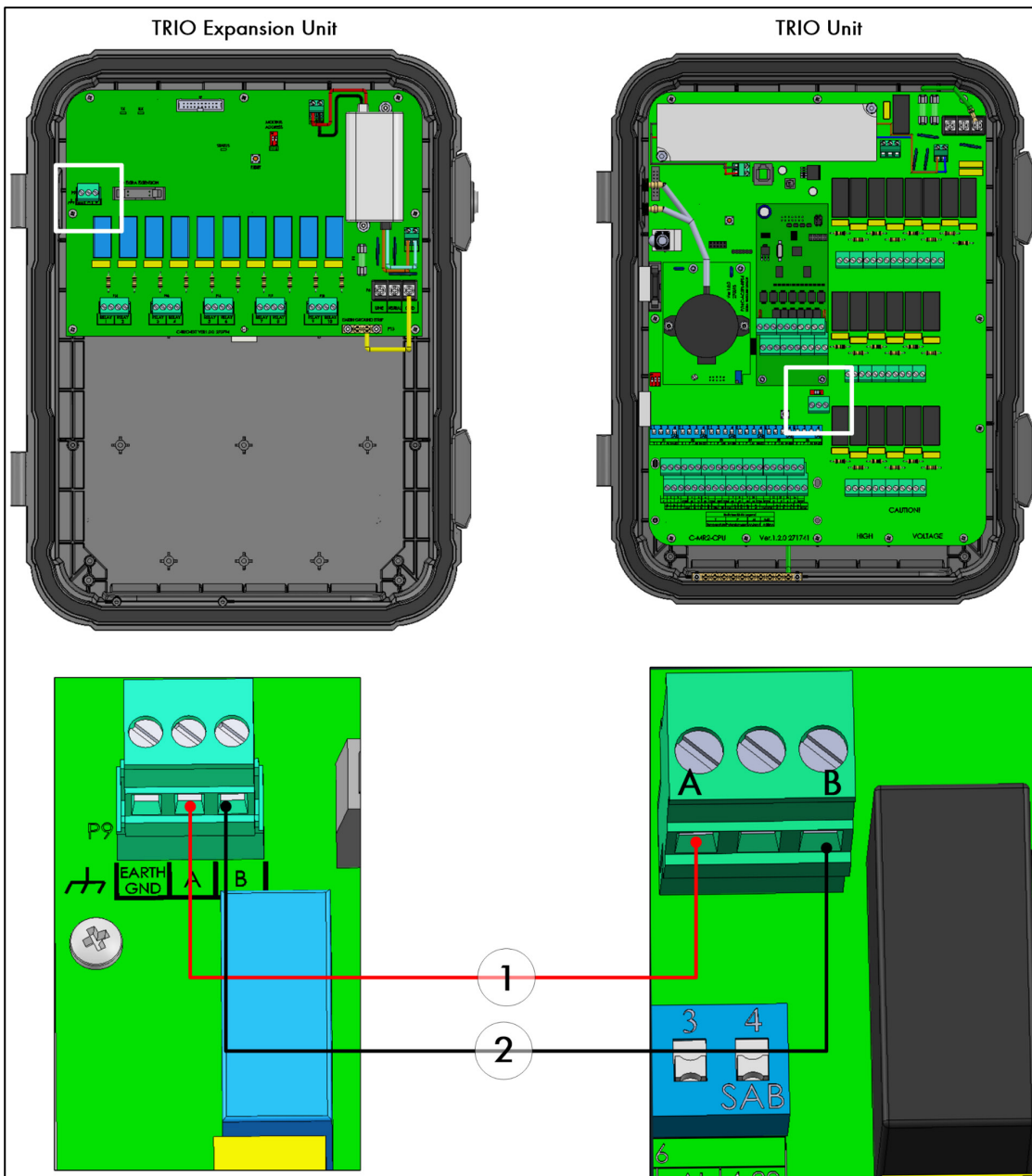


Figure 5: Wiring diagram

- The cable between the controller and the expansion unit should be a 4 wire twisted shielded cable (22 or 24 AWG).
- 1 – red wire
- 2 – black wire

2.4.1.2 Address

The Trio can support one expansion unit. Verify that both dipswitches in the Modbus Address are set to ON.

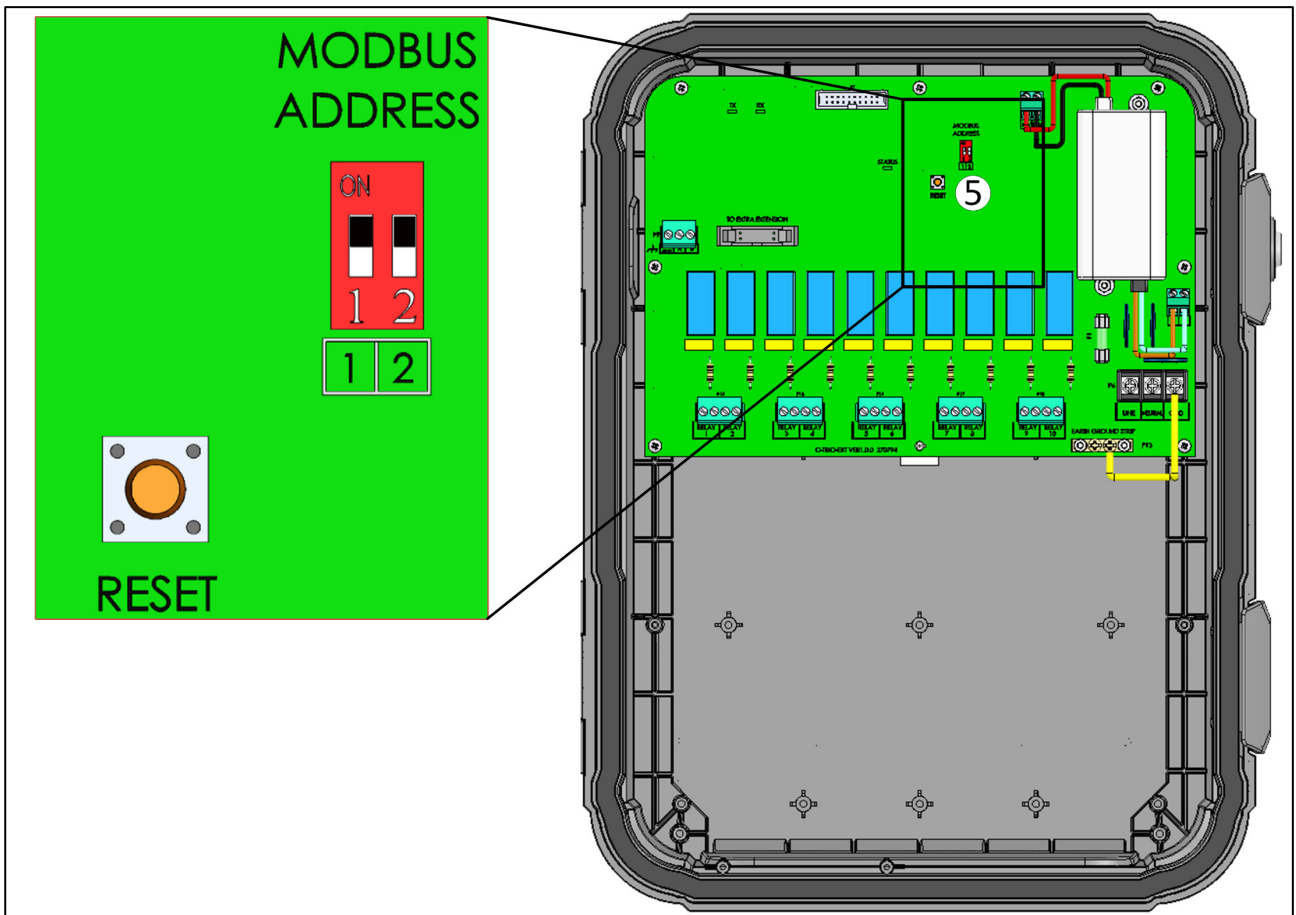


Figure 6: Expansion Address

2.4.1.3 Restart

After connecting the two units and verifying the Modbus address, reset the factory settings.

1. Go to System > General Settings > .

2. Click .

3. Follow the on-line instructions. You have the option of backing up the settings. Refer to the User Manual for more information.

2.4.2 HIGH VOLTAGE RELAYS

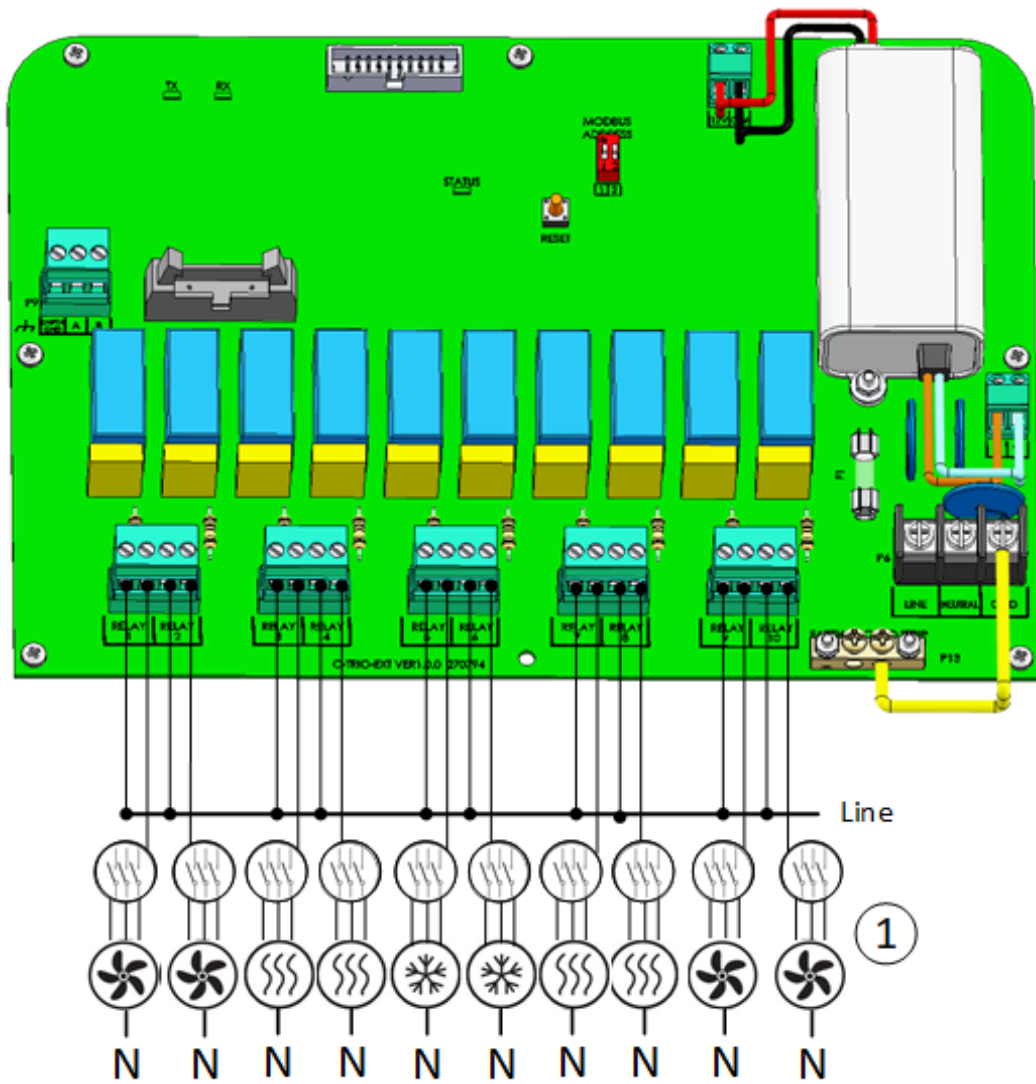


Figure 7: High voltage devices (examples)

1	Example of devices
---	--------------------

NOTE The relays control motors and heating devices via contactors, not directly.

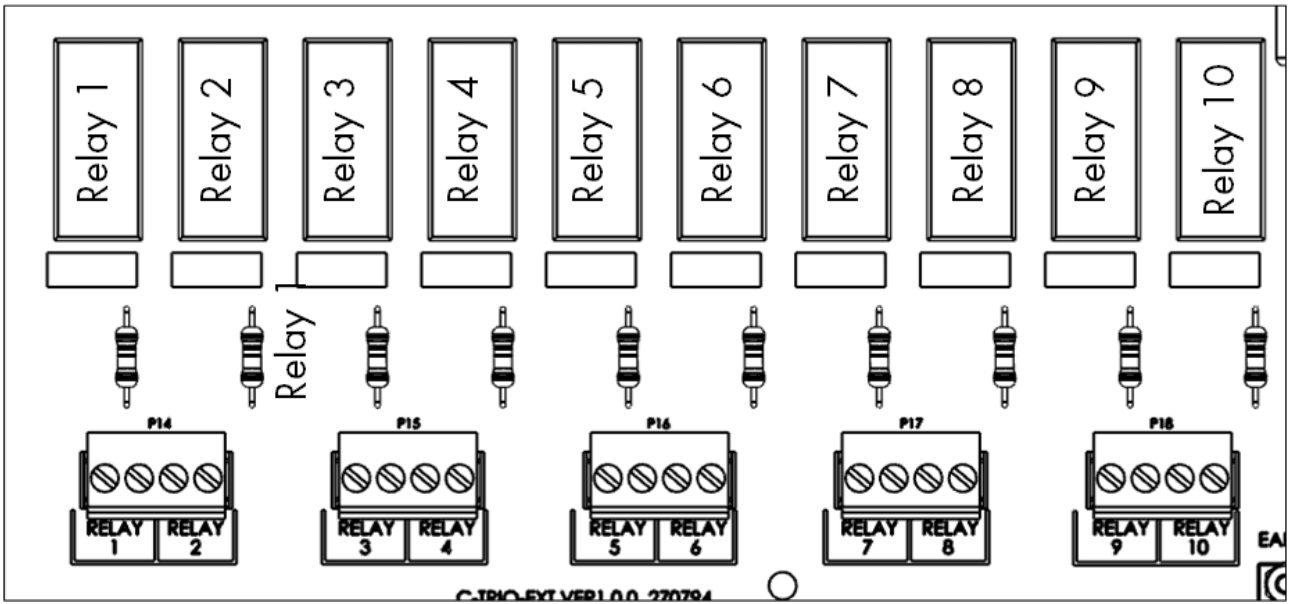


Figure 8: Relay and port numbering

2.4.3 POWER

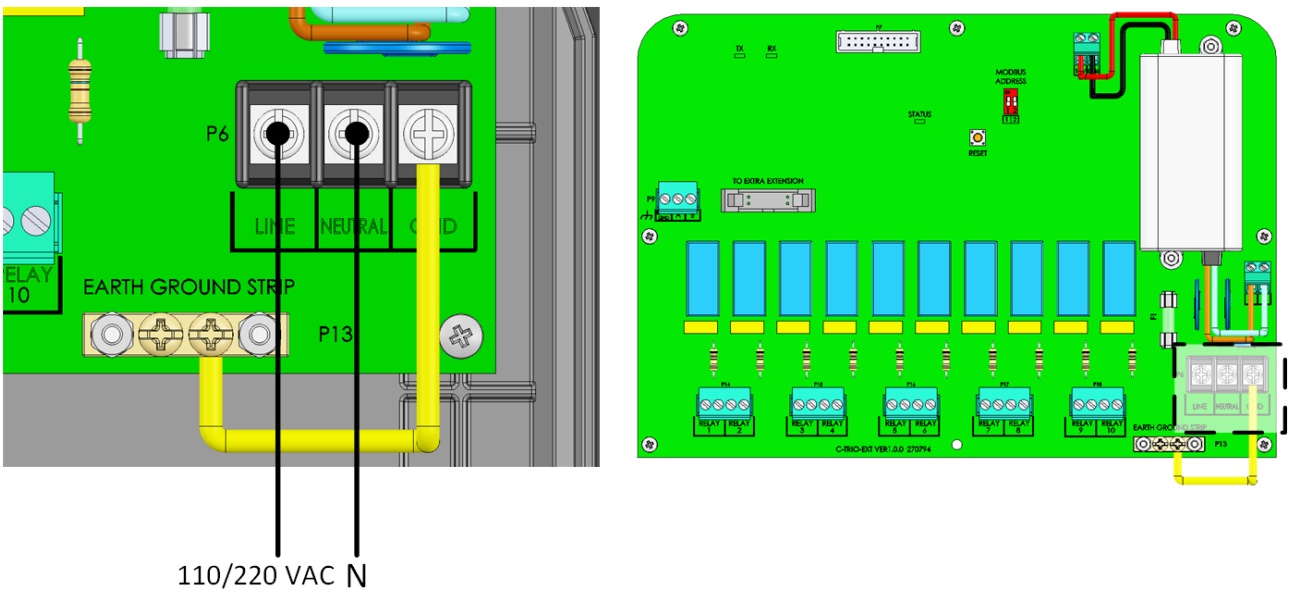


Figure 9: Power ports

2.5 Key

Ensure that the unit remains locked to prevent unauthorized access to internal components.

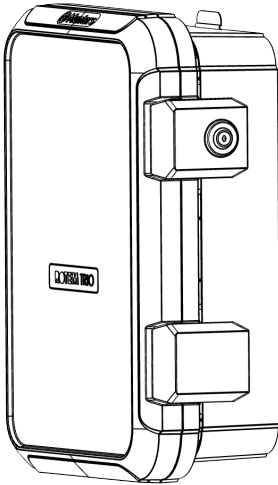


Figure 10: Expansion Unit Lock

2.6 Product Symbols

The following labels appear on your controller:



: Caution! Hazardous voltage



: Caution: Refer to the manual



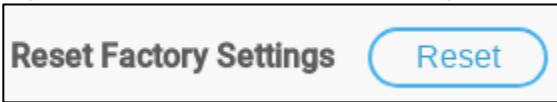
: Main Protective Earthing Terminal

CAUTION IF THE UNIT IS USED IN A MANNER NOT SPECIFIED BY THE MANUFACTURER, THE PROTECTION PROVIDED BY THE EQUIPMENT MAY BE IMPAIRED.

3 Mapping Devices

➤ Install and wire the Expansion unit to the TRIO and to the external devices before beginning.

➤ After wiring the Expansion unit to TRIO, go to System > General Settings > Info 



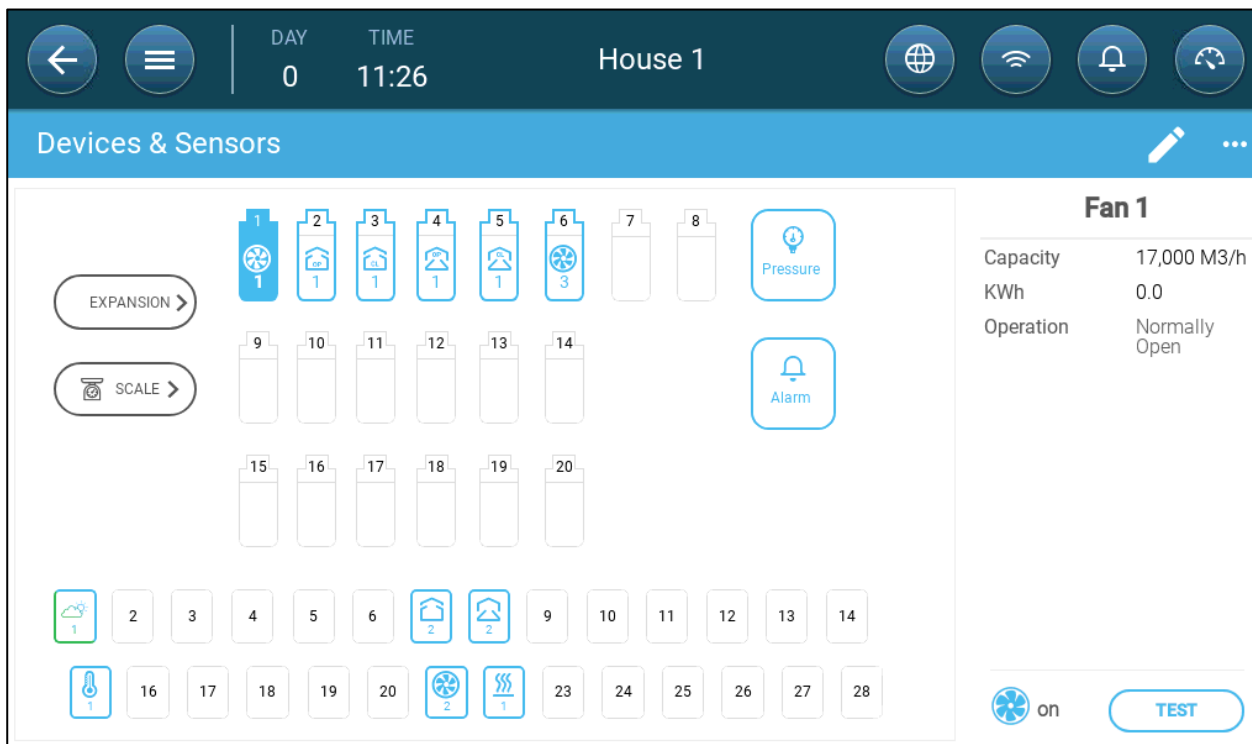
and click **Reset Factory Settings** **Reset**. Follow the online instructions. TRIO will not recognize the Expansion until this step is performed.

After wiring devices to the TRIO Expansion Unit, each device must be mapped and then defined. Mapping and defining devices enables the system software to control each device's functionality.

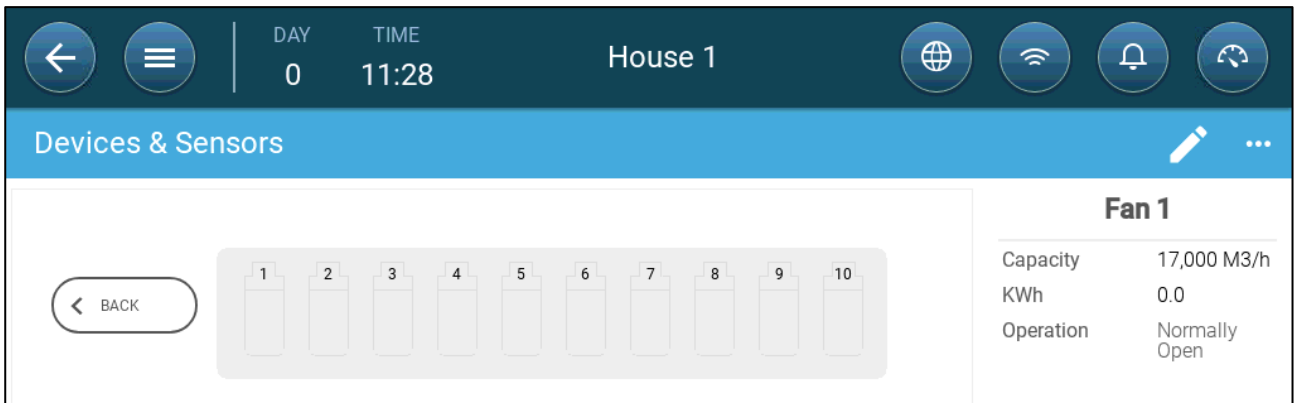
CAUTION Mapping *MUST* match the physical wiring! An error message appears if the physical device is not wired to the relay or port as defined on the mapping screen..

To map the devices:

1. Go to System > Device and Sensors.







2. Click Expansion.



3. Map the devices as detailed in the TRIO manual. Refer to the manual for more information.

4 Specifications

Input Power Voltage	115/230 VAC, 50/60 Hz
Input AC Power	0.2A
Maximum number of relays operating simultaneously	10
<i>Note: Running relays at the above current levels provides between 50,000 – 100,000 switching operations.</i>	
Communication	RS-485: 115 Kbps, 8 bit, even parity
Operating Temperature Range	-10° to +50° C (+14° to +125° F)
Storage Temperature Range	-20° to +80° C (-4° to +176° F)
Environmental Specifications	<ul style="list-style-type: none"> • Altitude: -400 m to 2000 m • Relative Humidity: 20% - 90% • Main supply voltage fluctuation up to +10 - 20% • Overvoltage category II
Enclosure	<ul style="list-style-type: none"> • Water and dust tight • Indoor use only
Dimensions (H/W/D)	403 x 324 x 141 mm/16 x 13 x 5.6 inches
Fuses	Fuse F2 on PS card: 3.15A, 250V
Certification	   

- **Disconnection device/overcurrent protection:** In the building installation, use a certified 2-pole circuit breaker rated 10A, certified in accordance with the IEC standard 60947-2 (in the US and Canada use a Listed Branch Circuit protective circuit breaker). This step is required to provide overcurrent protection and mains disconnection. The circuit breaker must be easily accessible and marked as the controller disconnect device.
- **Main Supply Voltage:** Permanently connect the controller to the mains in accordance with the relevant national code. Provide fixed wiring inside a flexible conduit. Relays must be suitably protected against overcurrent, using a circuit breaker rated at 10A.

5 Spare Parts

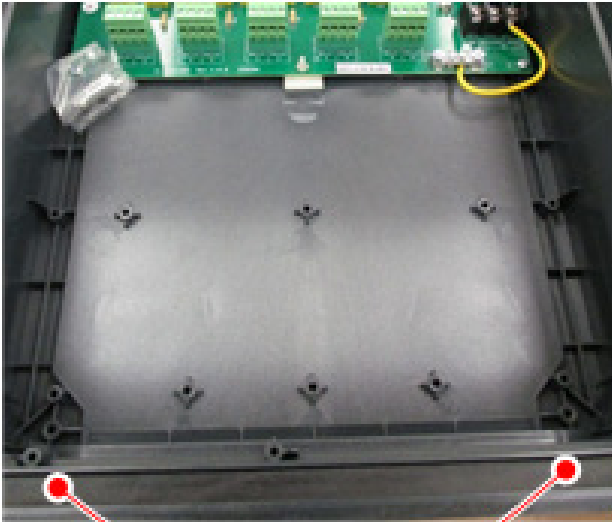
- Preliminary Information
- TRIO 10 Expansion Container Spare Parts
- TRIO 10 Expansion Main Container Spare Parts
- Main Container Card Spare Parts

5.1 Preliminary Information

	TRIO 10 EXP
Container	A
Main Container Cards	B
MPN	Munters Part Number
DPN	Dealer Part Number

5.2 TRIO 10 Expansion Container Spare Parts

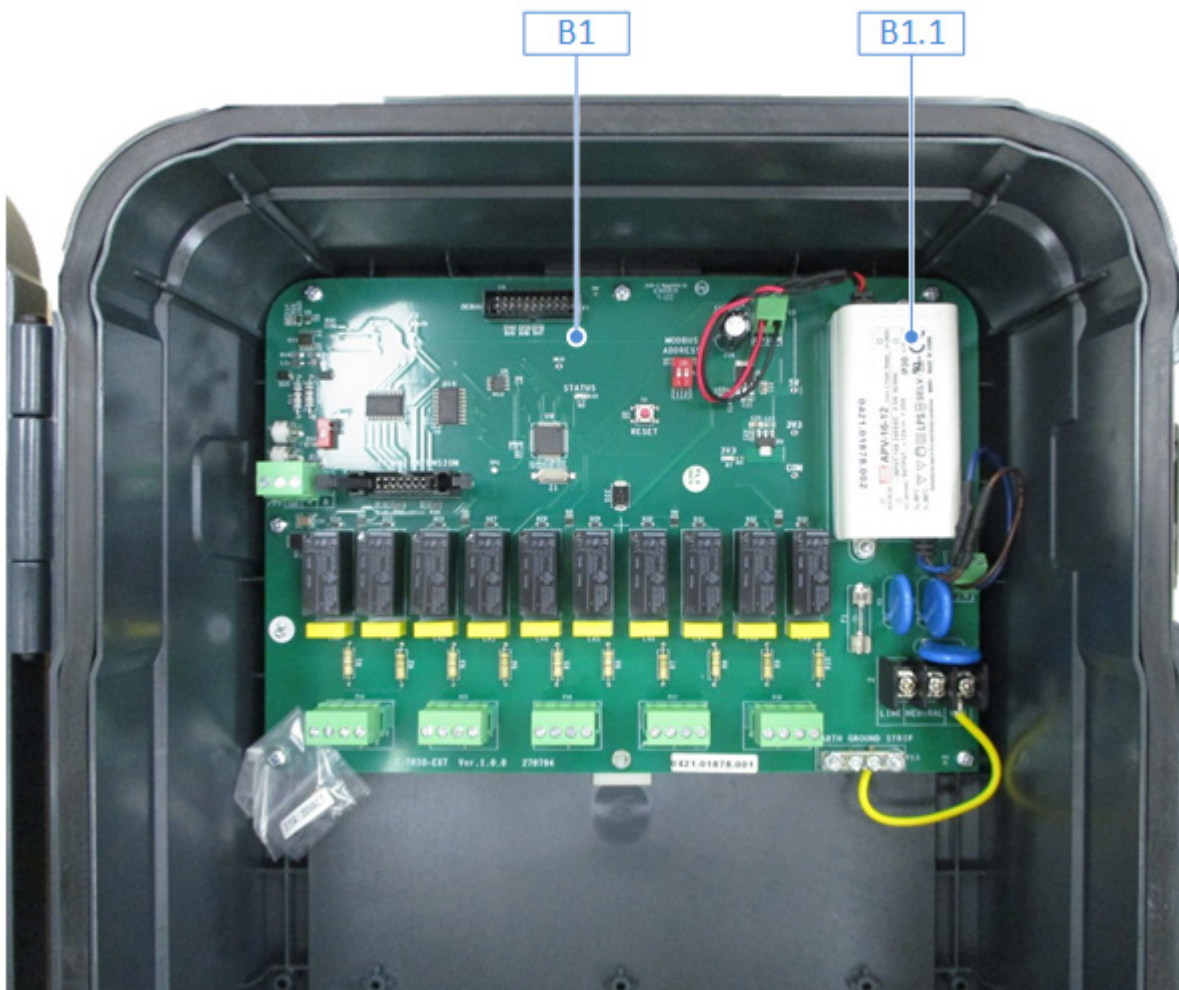




A4

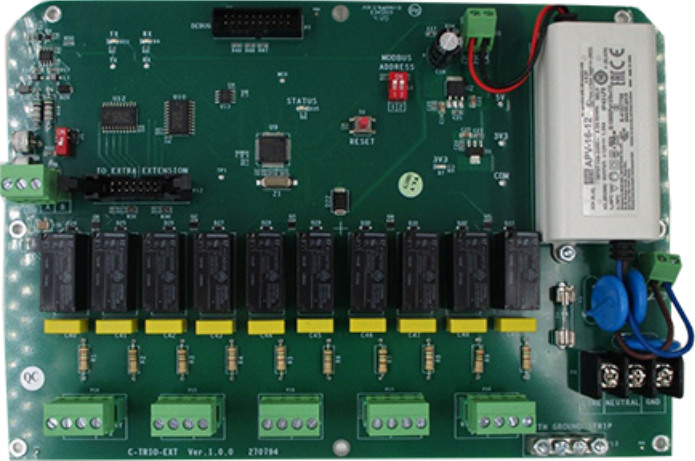

ID No.	Description	Order Catalog Number
A1.1	TRIO FRONT DOOR EXP PLASTIC PART V1.0.0 (SP : 207129)	MPN: 940-99-00028 DPN:
A1.2	TRIO-20 PLASTIC BOX BASE	MPN: 940-99-00007 DPN:
A1.3	TRIO HINGE PLASTIC PIN V1.0.0 (SP-207128)	MPN: 940-99-00019 DPN:
A2	TRIO-20 PLASTIC BLUE PANEL (MUNTERS LOGO)	MPN: 940-99-00001 DPN:
A3.1	GENERAL PLASTIC LATCH	MPN: 900-99-00216 DPN:
A3.2	ONE/ONE PRO LATCH GENERAL LOCK PLASTIC PART + LOCK FOR LATCH	MPN: 900-99-00217 DPN:
A4	MID-RANGE MAIN GASKET V1.0.0 (SP-207122)	MPN: 940-99-00021 DPN:

5.3 TRIO 10 Expansion Main Container Spare Parts



ID No.	Description	Order Catalog Number
B1	TRIO-EXP 10 CARD (SP: R-TRIO-EXP10)	MPN: 940-99-00029
		DPN:
B1.1	SWPS APV-16-12 Mean Well 115V/230V 12V 16W (SP: 370153)	MPN: 999-99-00338
		DPN:

5.4 Main Container Card Spare Parts

Card	Description	Munters Ordering Number
 <p>A green printed circuit board (PCB) with various electronic components. It features a central microcontroller, several integrated circuits, and a large white power supply unit (APV-16-12) mounted on the right side. The board has multiple green terminal blocks along the bottom edge and a blue reset button. Text on the board includes 'C-TRIO-EXT Ver. 1.0.0 270704'.</p>	<p>R-TRIO-EXP10: TRIO EXP 10 CARD</p>	<p>940-99-00029</p>
 <p>A white rectangular power supply unit (SWPS) with a label that reads 'APV-16-12'. It has four wires extending from it: a blue wire (ACN), a brown wire (ACB), a red wire (RED), and a black wire (BLK). The label also includes technical specifications and safety information.</p>	<p>370153: SWPS APV-16-12 Mean Well 115V/230V 12V 16W</p>	<p>999-99-00338</p>

6 Warranty

Warranty and technical assistance

Munters products are designed and built to provide reliable and satisfactory performance but cannot be guaranteed free of faults; although they are reliable products they can develop unforeseeable defects and the user must take this into account and arrange adequate emergency or alarm systems if failure to operate could cause damage to the articles for which the Munters plant was required: if this is not done, the user is fully responsible for the damage which they could suffer.

Munters extends this limited warranty to the first purchaser and guarantees its products to be free from defects originating in manufacture or materials for one year from the date of delivery, provided that suitable transport, storage, installation and maintenance terms are complied with. The warranty does not apply if the products have been repaired without express authorisation from Munters, or repaired in such a way that, in Munters' judgement, their performance and reliability have been impaired, or incorrectly installed, or subjected to improper use. The user accepts total responsibility for incorrect use of the products.

The warranty on products from outside suppliers fitted to the Expansion Unit, (for example antennas, power supplies, cables, etc.) is limited to the conditions stated by the supplier: all claims must be made in writing within eight days of the discovery of the defect and within 12 months of the delivery of the defective product. Munters has thirty days from the date of receipt in which to take action, and has the right to examine the product at the customer's premises or at its own plant (carriage cost to be borne by the customer).

Munters at its sole discretion has the option of replacing or repairing, free of charge, products which it considers defective, and will arrange for their despatch back to the customer carriage paid. In the case of faulty parts of small commercial value which are widely available (such as bolts, etc.) for urgent despatch, where the cost of carriage would exceed the value of the parts, Munters may authorise the customer exclusively to purchase the replacement parts locally; Munters will reimburse the value of the product at its cost price.

Munters will not be liable for costs incurred in demounting the defective part, or the time required to travel to site and the associated travel costs. No agent, employee or dealer is authorised to give any further guarantees or to accept any other liability on Munters' behalf in connection with other Munters products, except in writing with the signature of one of the Company's Managers.

WARNING: In the interests of improving the quality of its products and services, Munters reserves the right at any time and without prior notice to alter the specifications in this manual.

The liability of the manufacturer Munters ceases in the event of:

- dismantling the safety devices;
- use of unauthorised materials;
- inadequate maintenance;
- use of non-original spare parts and accessories.

Barring specific contractual terms, the following are directly at the user's expense:

- preparing installation sites;
- providing an electricity supply (including the protective equipotential bonding (PE) conductor, in accordance with CEI EN 60204-1, paragraph 8.2), for correctly connecting the equipment to the mains electricity supply;
- providing ancillary services appropriate to the requirements of the plant on the basis of the information supplied with regard to installation;
- tools and consumables required for fitting and installation;
- lubricants necessary for commissioning and maintenance.

It is mandatory to purchase and use only original spare parts or those recommended by the manufacturer.

Dismantling and assembly must be performed by qualified technicians and according to the manufacturer's instructions.

The use of non-original spare parts or incorrect assembly exonerates the manufacturer from all liability.

Requests for technical assistance and spare parts can be made directly to the nearest Munters office. A full list of contact details can be found on the back page of this manual.

