

Sonata Dual Pulse Water Meter

Multi-jet Magnetic Water Meter (P/N: 914-06-10001)



The Sonata is an advanced and highly accurate ultrasonic water meter for residential applications. The Sonata's Dual Pulse output provides consumption values at a high resolution. Each of the two independent digital output channels can be configured to best match the data resolution required by the utility.

Features

- 2 Pulse Outputs
- Each Pulse Output can be set to forward/reverse

General Specifications

- Electronics & battery sealed
- Cable length: 1.3 meters/4.2 feet
- Environmental operation: min -20° to $+60^{\circ}$ C/ -4° to $+140^{\circ}$ F
- Storage: min -20° -70 $+70^{\circ}$ C/ -4° to $+158^{\circ}$ F
- Protection rating: IP68
- Life time= 12 Years*
- 1 liter or 0.1 liter per pulse (depending on the controller; refer to Controller Capabilities)

Technical Specifications

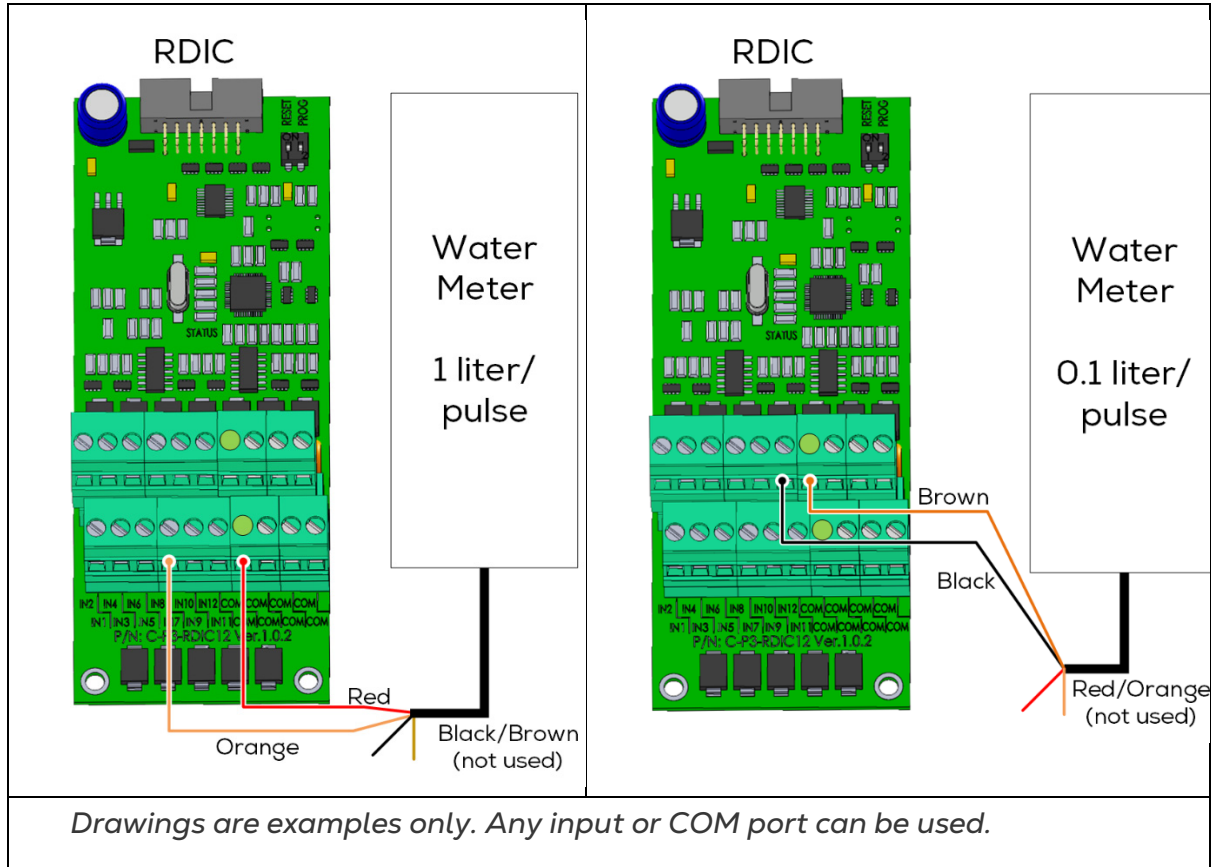
- Outputs type Bi-Directional Solid State Relay
- On-Resistance max. 35 [Ω]
- Minimum pulse width 10 [msec]
- Load current (AC/DC) 120 [mA]
- Total power dissipation max. 800 [mW]
- Max voltage AC/DC 36 [V]

Installation Requirements

- Install the Meter in a horizontal position, dial face up.
- Flush the pipeline before installation.
- The meter should be constantly full of water.

Wiring

- Wiring depends on the water per pulse required.
- Red/Orange: 1 liter per pulse
- Black/Brown: 0.1 liter per pulse
- Do not connect the other two wires.
- Connect either wire to any input or any COM port.



Controller Capabilities

Pulse Output	Trio	Rotem One/Pro Platinum Touch/Pro	Platinum Plus/XL	AC-2000 3G
1.0 Liter/pulse	V	V	V	V
0.1 Liter/pulse	V	V	NA	NA