

RPLP INSTALLATION

P/N: P-RPLP / C-RPLP

Place the Power Supply Lightning Protector close to the controller.

A proper ground must be supplied otherwise the protection will not be effective.

The side marked "INPUT" should be connected to the power source side. The side marked "OUTPUT" should be connected to the power supply terminal side of the controller **ONLY**.

For example: If using a 24 VAC with the RPLP-1, then the voltage 24 VAC for the solenoid should be wired from the "INPUT" unprotected side of the RPLP-1. This way any interference caused by the solenoid will be filtered by the RPLP-1.

Protected and unprotected wires should not go through the same hole. Keep a distance of at least 1 inch (2.5 cm) between protected and unprotected wires.

NOTE: The RPLP-1 is designed to provide protection **ONLY** to a controller. Make sure that devices such as fans or motors operated by the controller do **NOT** obtain their power through the RPLP-1. Maximum current through the RPLP-1 is 2.5 Amperes.

TECHNICAL SPECIFICATIONS

Power supply

Main voltage single phase 230 Vac or single phase 110 Vac 3 A

Main frequency 50/60 HZ

Ambient climate

Operating temperature range -10° to + 55° C

Storage temperature range -10° to + 70° C

Housing

Plastic housing with a screw on lid IP 56

Dimensions (LxWxH) 100 x 100 x 50 mm.

ENVIRONMENTAL PROTECTION



Recycle raw materials instead of disposing as waste. The controller, accessories and packaging should be sorted for environmental-friendly recycling. The plastic components are labeled for categorized recycling.

INSTALLATION

P/N: P-RPLP / C-RPLP

Place the Power Supply Lightning Protector close to the controller.

A proper ground must be supplied otherwise the protection will not be effective.

The side marked "INPUT" should be connected to the power source side. The side marked "OUTPUT" should be connected to the power supply terminal side of the controller **ONLY**.

For example: If using a 24 VAC with the RPLP-1, then the voltage 24 VAC for the solenoid should be wired from the "INPUT" unprotected side of the RPLR-1. This way any interference caused by the solenoid will be filtered by the RPLP-1.

Protected and unprotected wires should not go through the same hole. Keep a distance of at least 1 inch (2.5 cm) between protected and unprotected wires.

NOTE: The RPLP-1 is designed to provide protection **ONLY** to a controller. Make sure that devices such as fans or motors operated by the controller do **NOT** obtain their power through the RPLP-1. Maximum current through the RPLP-1 is 2.5 Amperes.

TECHNICAL SPECIFICATIONS

Power supply

Main voltage single phase 230 Vac or single phase 110 Vac 3 A

Main frequency 50/60 HZ

Ambient climate

Operating temperature range -10° to + 40° C

Storage temperature range -10° to + 70° C

Housing

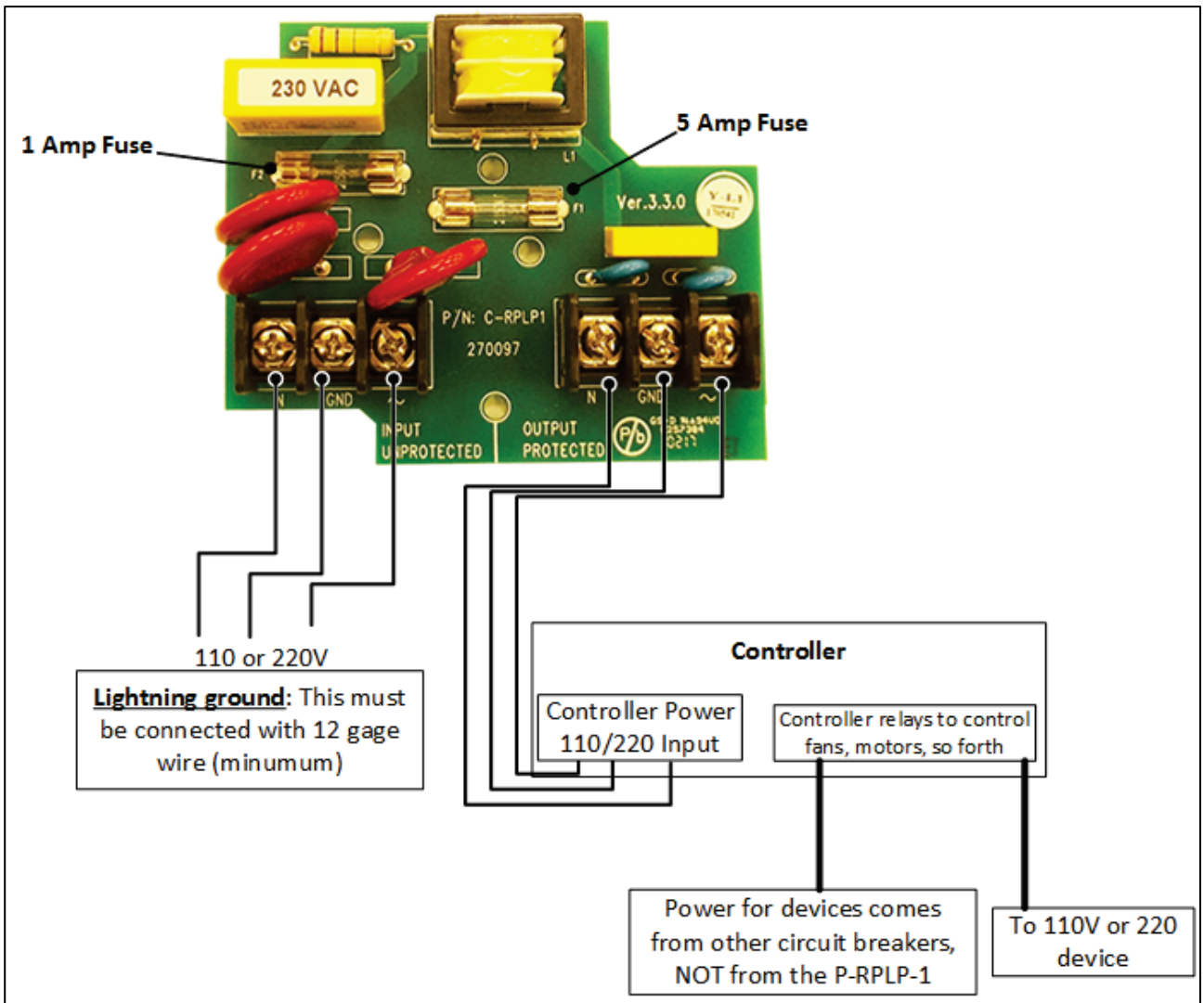
Plastic housing with a screw on lid IP 56

Dimensions (LxWxH) 100 x 100 x 50 mm.

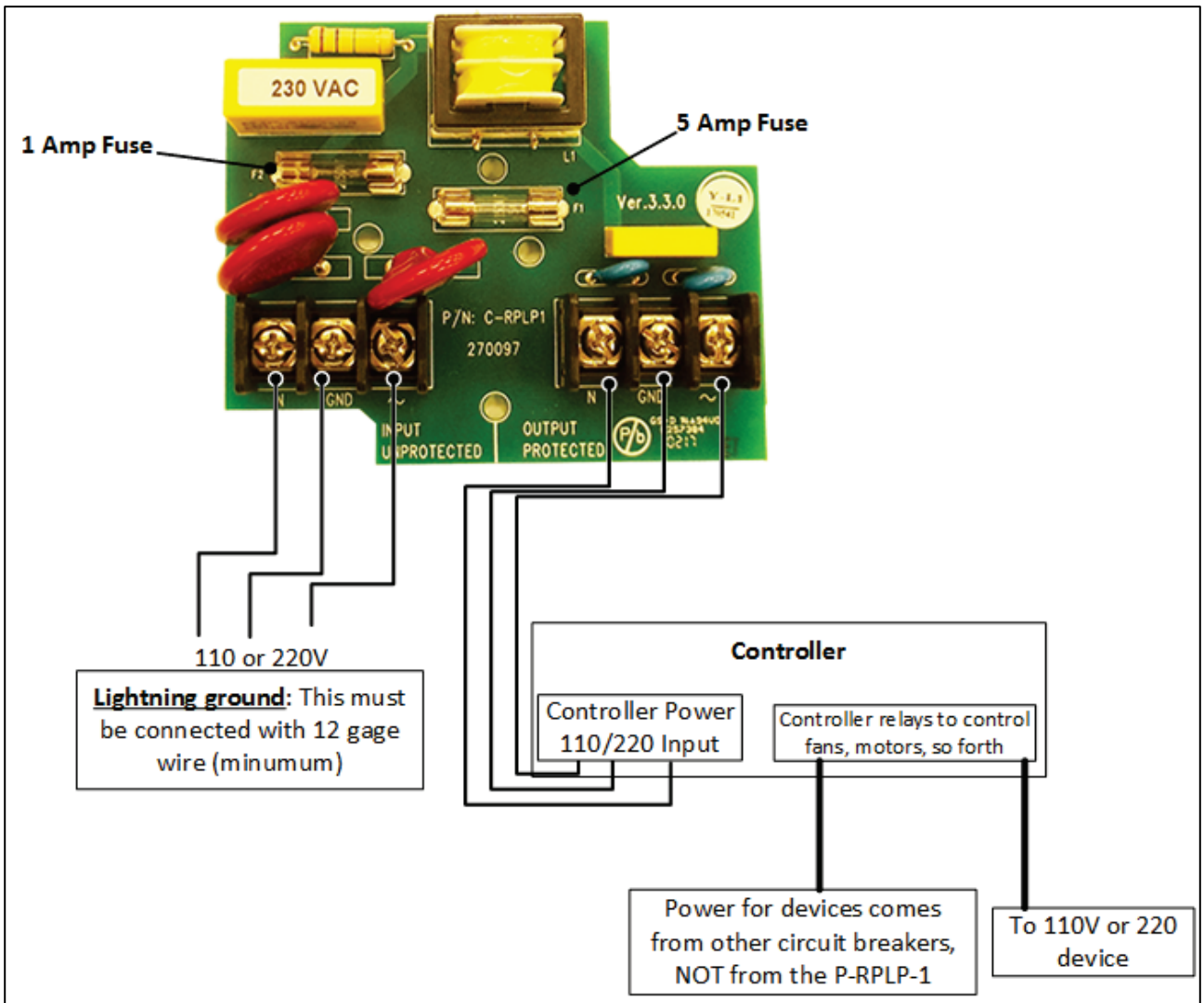
ENVIRONMENTAL PROTECTION



Recycle raw materials instead of disposing as waste. The controller, accessories and packaging should be sorted for environmental-friendly recycling. The plastic components are labeled for categorized recycling.



Caution: The input voltage is dependent on the unit ordered!



Caution: The input voltage is dependent on the unit ordered!