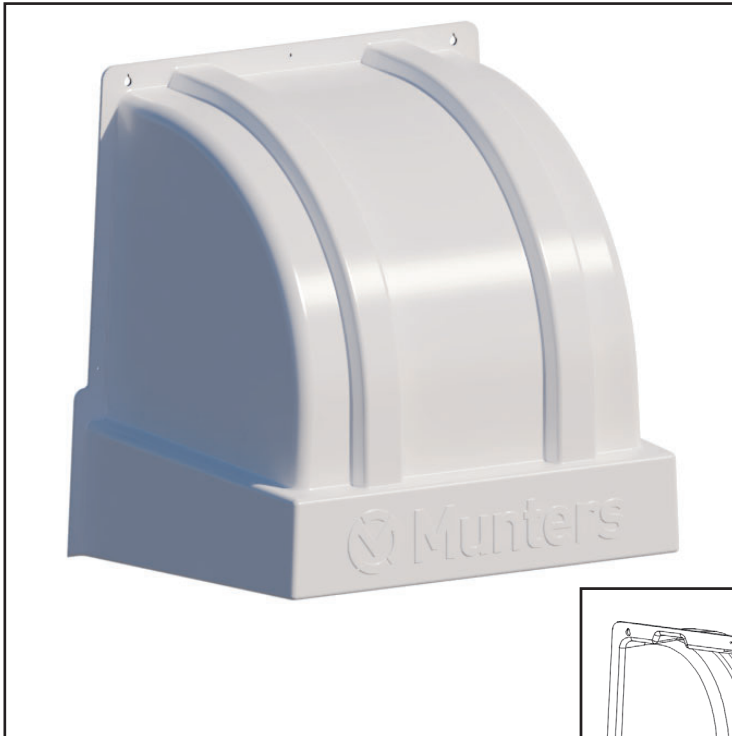
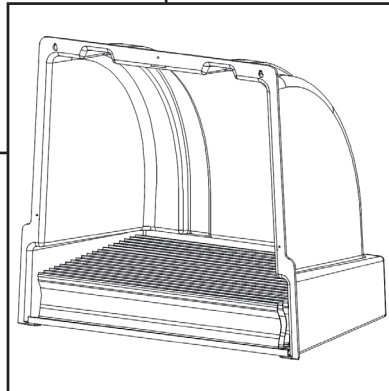


Instruction Manual

Weather Hood and optional Guard and Light Trap



Weather Hood



Weather Hood with optional Light Filter

Weather Hood

Models: AC2029

Options: Guard Kit - AC2232 • Light Filter - DH1133



Weather Hood

Optional Guard & Light Filter

Instructions for Use and Maintenance

Thank You:

Thank you for purchasing a Munters Weather Hood. Munters equipment is designed to be the highest performing, highest quality equipment you can buy. With the proper installation and maintenance it will provide many years of service.

Please Note:

To achieve maximum performance and insure long life from your Munters product it is essential that it be installed and maintained properly. Please read all instructions carefully before beginning installation.

Warranty:

For Warranty claims information see the "Warranty Claims and Return Policy" form QM1021 available from the Munters Corporation office at 1-800-227-2376 or by e-mail at aghort.info@munters.com.

Conditions and Limitations:

- Products and Systems involved in a warranty claim under the "Warranty Claims and Return Policy" shall have been properly installed, maintained and operated under competent supervision, according to the instructions provided by Munters Corporation.
- Malfunction or failure resulting from misuse, abuse, negligence, alteration, accident or lack of proper installation or maintenance shall not be considered a defect under the Warranty.

Index

Chapters	Page
1. Unpacking the Equipment	4
1.1 Parts List	4
1.2 Hood Dimensions	5
2. Installation Instructions	6
2.1 Weather Hood Installation	6
2.2 Optional Guard Installation	7
2.3 Optional Light Filter Installation	8
3. Exploded View and Parts List	10

Unpacking the Equipment

1.

Before beginning installation, check the overall condition of the equipment. Remove packing materials, and examine all components for signs of shipping damage. Any shipping damage is the customer's responsibility and should be reported immediately to your freight carrier. Weather Hood is shipped complete with all accessories.

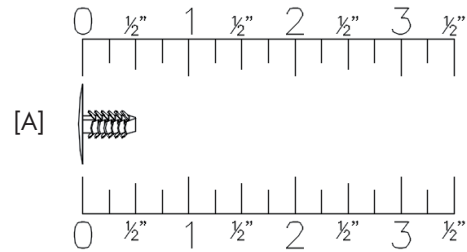
1.1 Parts List

Each Weather Hood includes:

- 1 - Weather Hood, White with Black Interior
- 1 - Support Bracket, PVC Plastic
- 1 - Hardware Package (HP1730)

HP1730 for Weather Hood

ID	Qty.	Cat. No.	Description
[A]	2	KR1003	Rivet, Push-In, 0.095"-0.32"x0.5"L. BLK PL



Each AC2232 Guard Kit includes:

- 1 - Guard, 24.5" x 33.5", GZ
- 1 - Hardware Package (HP1732)

HP1732 for Guard Kit

ID	Qty.	Cat. No.	Description
[B]	6	KE1103	6", Black, UV Resistant Cable Tie

Each DH1133 Light Filter includes:

- 1 - Light Filter, 32.75"W.x5.75"H.x24"L., 2 Pcs., BLK PL

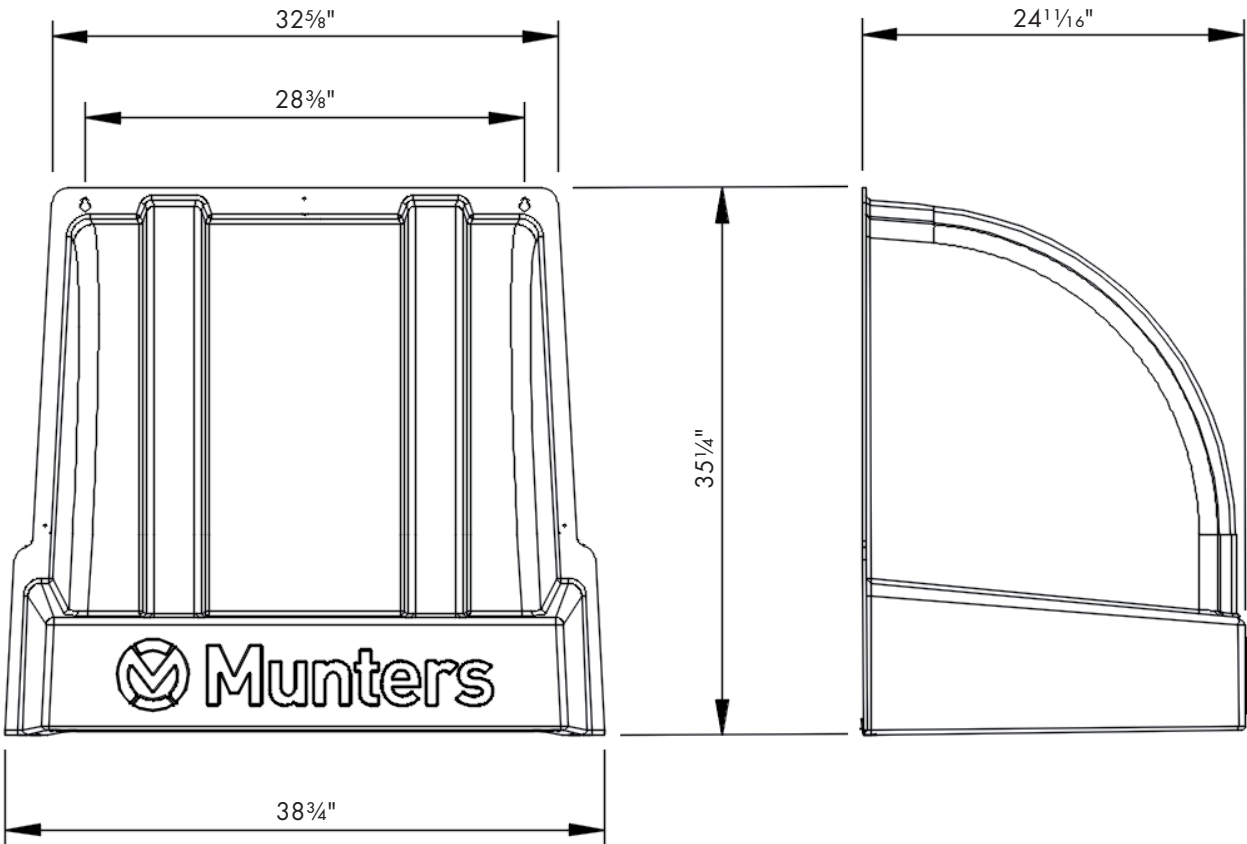
Each AC2230 Replacement Parts Kit includes:

- 1 - Support Bracket, PVC Plastic
- 1 - Hardware Package (HP1730)

HP1730 for Weather Hood

ID	Qty.	Cat. No.	Description
[A]	2	KR1003	Rivet, Push-In, 0.095"-0.32"x0.5"L. BLK PL

1.2 Hood Dimensions



AC2029 Weather Hood

Installation Instructions

2.

2.1 Weather Hood Installation

Step 1

This Weather Hood is designed to mount over an air inlet or an opening where wind conditions may cause problems. Construct framing to correct size shown below. The framing for the Weather Hood will be around the outside of the opening for air inlet. See [Figure 1A and 1B](#).

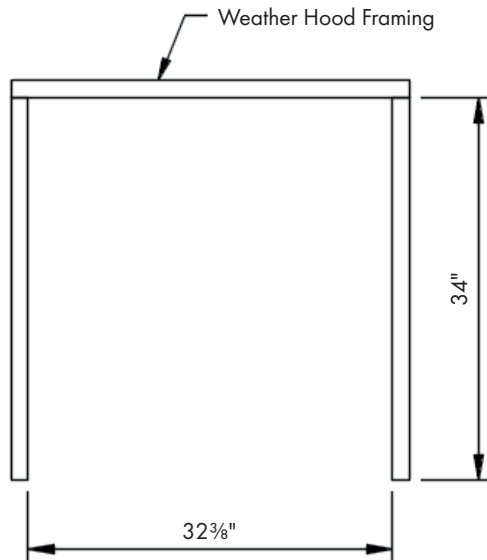


Figure 1A

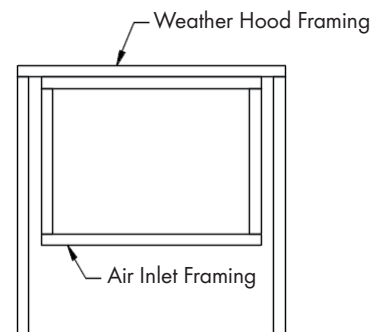
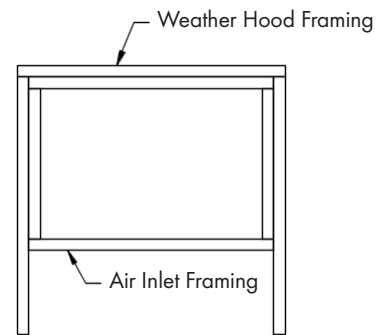


Figure 1B

Step 2

Install (2) 1/4" lag screws with 1/4" washers or equivalent (not provided) in the top frame member at the distance shown. Leave the mounting screw out a minimum of 1". See [Figure 2A and 2B](#).

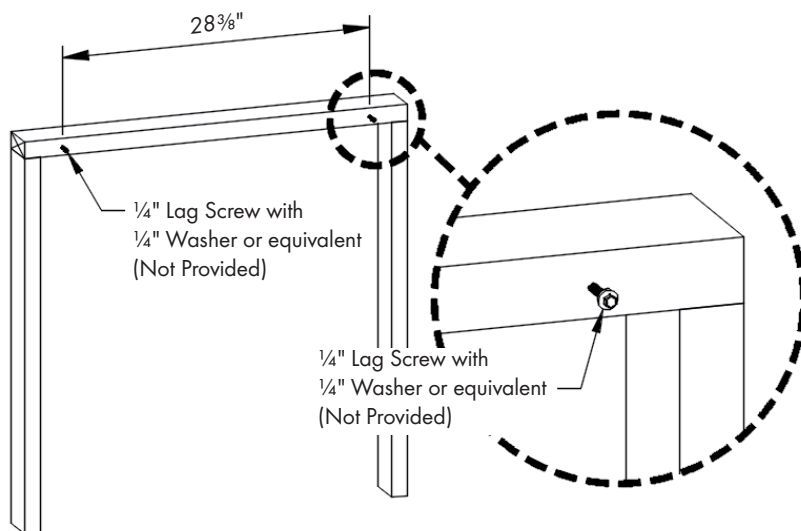


Figure 2A

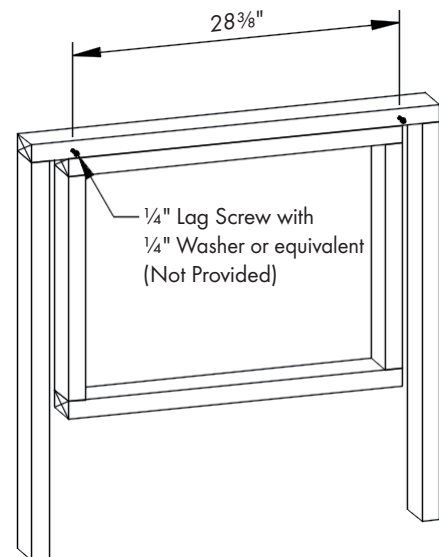


Figure 2B

Step 3

Find the Support Bracket and insert into the lower rear of the Weather Hood and line up the holes in the Support Bracket with the outer most holes in the bottom flange of the Weather Hood. Using (2) Push-In Rivets [A] fasten Support Bracket to Weather Hood. *See Figure 3.*

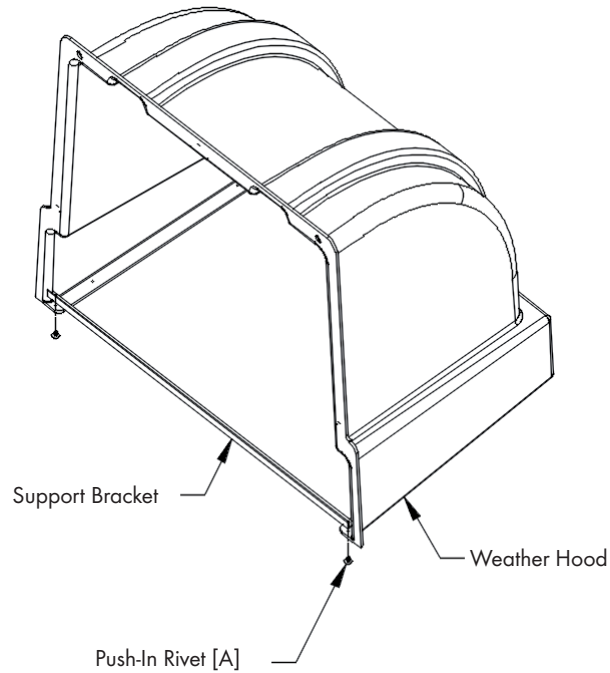


Figure 3

2.2 Optional Guard Installation

Step 4

If the Optional Guard Kit was not purchased, then proceed to [Step 5](#), if Guard Kit was purchased, proceed with [Step 4](#). Insert Guard into the bottom of the Weather Hood and secure in place using (6) Cable Ties [B], (4) in the holes in the bottom flange and (2) around the Support Bracket.

See Figure 4.

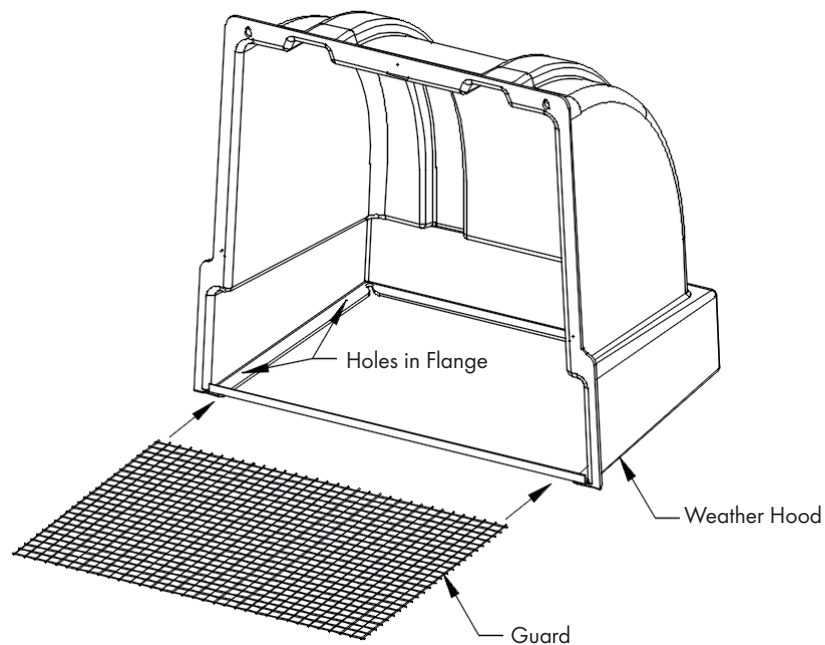


Figure 4

2.3 Optional Light Filter Installation

Step 5

If the Optional Light Filter was not purchased, then proceed to [Step 6](#), if Light Filter was purchased, proceed with [Step 5](#). Insert the 2 pieces of Light Filter into the bottom of the Weather Hood. [See Figure 5](#).

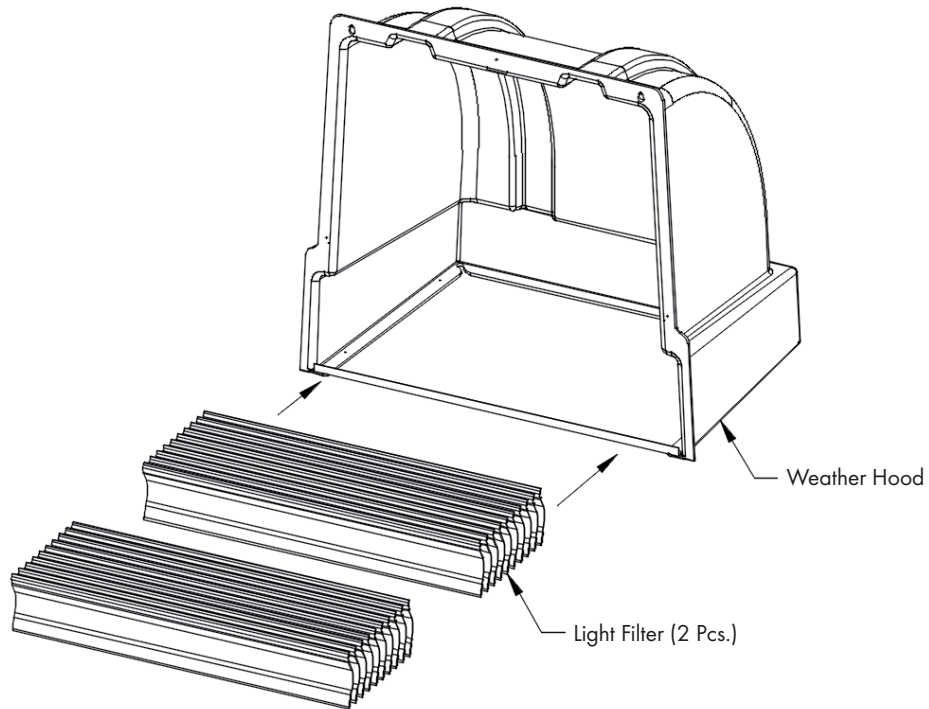


Figure 5

Step 6

Hang the Weather Hood with or without Guard/Light Filter on the screws installed in Step 2 through the oversized holes in the upper flange. [See Figure 6](#).

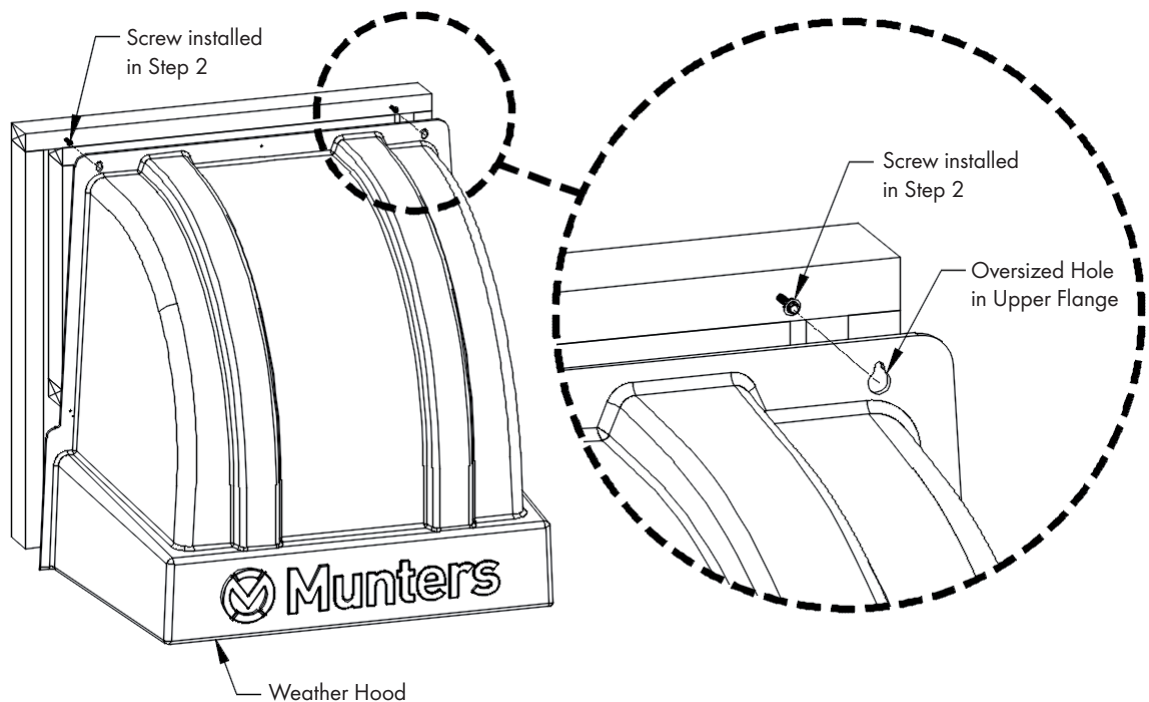


Figure 6

Step 7

While the Weather Hood is hanging on the screws, secure it to the framing with (3) ¼" lag screws with ¼" washers or equivalent (not provided) in the center hole in upper flange and the hole in each side flange. See Figure 7.

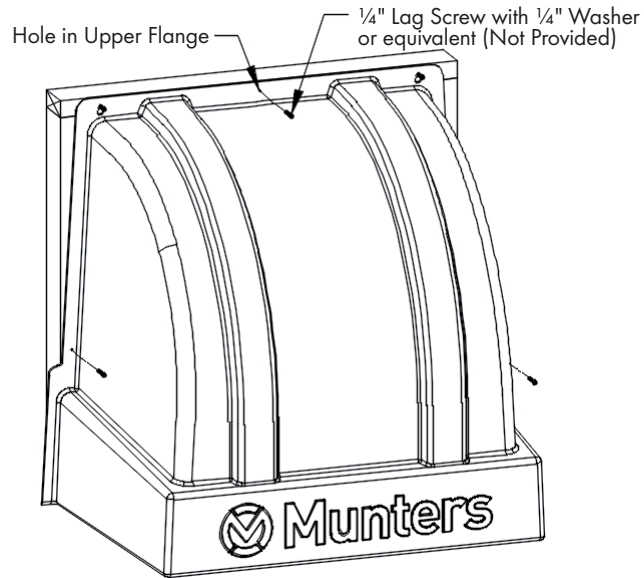


Figure 7

Step 8

Tighten the (2) Screws installed in Step 2. See Figure 8.

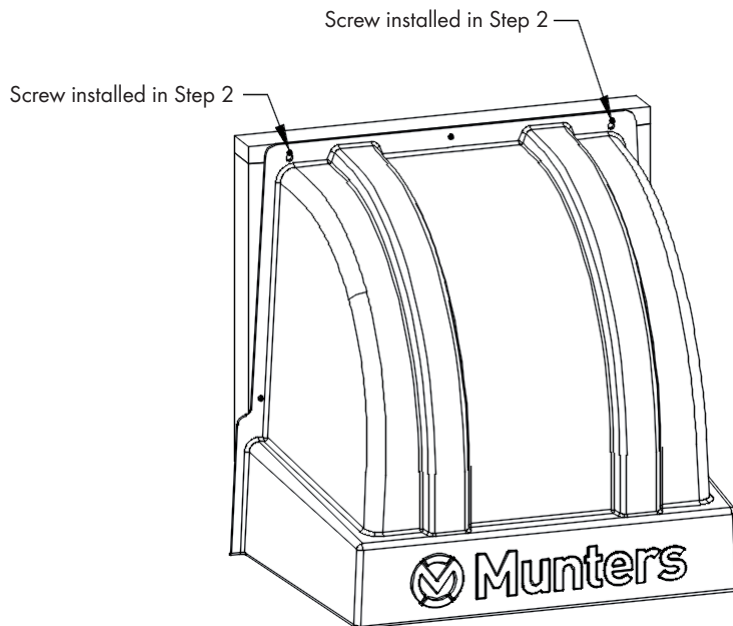
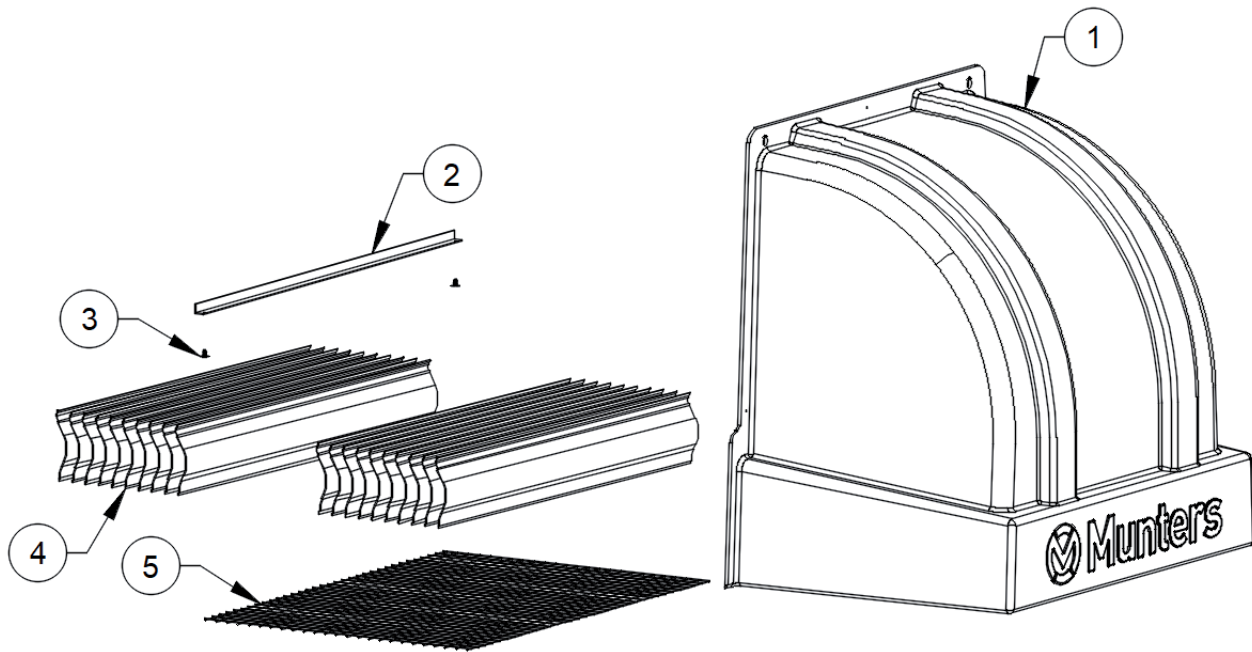


Figure 8

Installation now complete.

Exploded View

3.



Item	Catalog No.	Description	Qty.
1	AC4029	Weather Hood, 35.25"H.x39"W.x25"D. WHT POLY	1
2	AC4030	Bracket, Support for AC4029, PVC PLSTC	1
3	KR1003	Rivet, Push-In, 0.095"-0.32"x0.5"L., BLK PLSTC	2
4	DH1133	Light Filter, 32.75"W.x5.75"H.x24"L., 2 PCS, BLK PLSTC	1
5	AC4032	Guard, Wire Mesh, 0.063"O.D., 24.5" x 33.5", GZ	1

This page left blank intentionally

Weather Hood is developed and produced by Munters Corporation, Lansing, Michigan U.S.A. 1-800-227-2376



Munters Europe AB, Isafjordsgatan 1, P.O. Box 1150, SE-164 26 Kista, Sweden. Phone +46 08 626 63 00, Fax +46 8 754 56 66.

Munters Corporation 2691 Ena Drive Lansing, MI 48917 U.S.A. Phone +1 800-227-2376, Fax +1 517-676-7078

www.munters.us

Australia Munters Pty Limited, Phone +61 2 6025 6422, **Brazil** Munters Brasil Industria e Comercio Ltda, Phone +55 41 3317 5050, **Canada/US** Munters Corporation Lansing, MI Phone +1 517 676 7070, **China** Munters Air Treatment Equipment (Beijing) Co. Ltd, Phone +86 10 80 481 121, **Denmark** Munters A/S, Phone +45 9862 3311, **India** Munters India, Phone +91 20 3052 2520, **Indonesia** Munters, Phone +62 818 739 235, **Italy** Munters Italy S.p.A., Chiusavecchia, Phone +39 0183 52 11, **Japan** Munters K.K., Phone +81 3 5970 0021, **Korea** Munters Korea Co. Ltd., Phone +82 2 761 8701, **Mexico** Munters Mexico, Phone +52 818 262 54 00, **Russia** Munters AB, Phone +7 812 448 5740, **Singapore** Munters Pte Ltd., Phone +65 744 6828, **South Africa and Sub-Sahara Countries** Munters (Pty) Ltd., Phone +27 11 997 2000, **Spain** Munters Spain S.A., Phone +34 91 640 09 02, **Sweden** Munters AB, Phone +46 8 626 63 00, **Thailand** Munters Co. Ltd., Phone +66 2 642 2670, **Turkey** Munters Form Endüstri Sistemleri A.Ş, Phone +90 322 231 1338, **USA** Munters Corporation Lansing, MI Phone +1 517 676 7070, **Vietnam** Munters Vietnam, Phone +84 8 3825 6838, **Export & Other countries** Munters Italy S.p.A., Chiusavecchia Phone +39 0183 52 11