



Munters GPmp 100/130/160

Heaters

Munters GPmp air heaters are designed to provide cost-effective heating solutions in a wide variety of applications, such as livestock farming (broiler, layer, swine) and greenhouse.

Features

- Corrosion resistant as housing components are made in Munters Protect and combustion chamber in stainless steel
- Oil or gas-fired burners installed, calibrated and set up in the farm
- Thermal efficiency exceeding 90%
- Direct driven motor on axial fan
- Ergonomic design for easy maintenance and full accessibility
- IP55 enclosure of critical components e.g. electrical control box, electric motor
- Equipped with 5-pole plug socket for farm controller or room thermostat connection



GPmp 100/130/160

Munters GPmp air heaters are indirect-fired units that reach a thermal efficiency of 90% or higher, leading to more heating output for the same fuel consumption.

To ensure a longer service life, all GPmp models feature corrosion-resistant materials: Munters Protect housing, legs and support frame; stainless steel combustion chamber and safety thermostats; IP55 electrical enclosures.

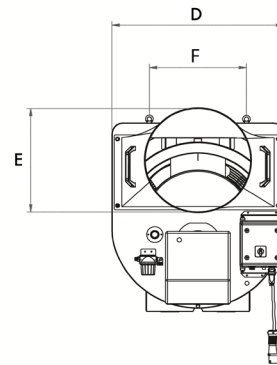
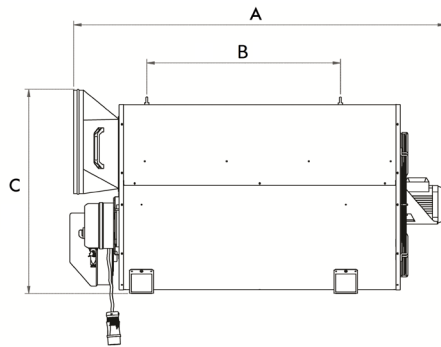
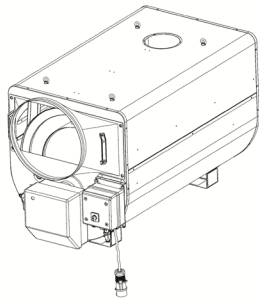
Munters GPmp air heaters have a compact modular design, which results in versatility and efficient logistics. They are available as hanging units, with oil or gas burners. Thanks to the legs shape and support frame, they are easy to handle, transport, install and maintain, saving time and costs.

Operating noise levels are noticeably reduced, assuring a comfortable environment for both animals and workers. GPmp units can be utilized also during hot periods, due to the possibility to turn only the fan on and use the heater as an air circulator.

Munters GPmp 100/130/160

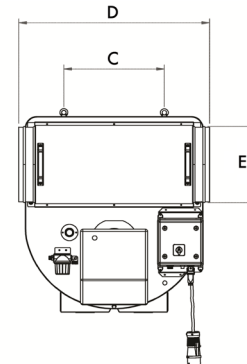
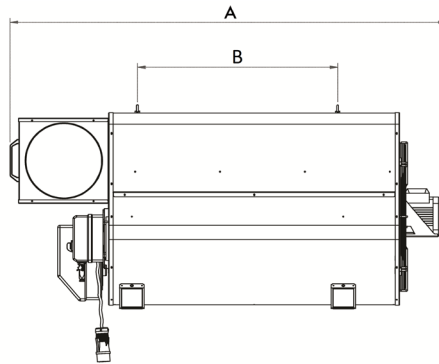
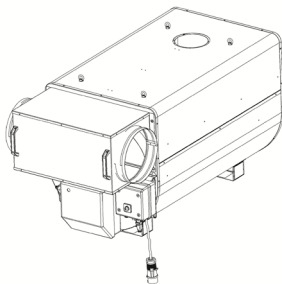
Heaters

Dimensions – Straight outlet



	A	B	C	D	E	F
GPmp100	1470 mm	650 mm	966 mm	800 mm	500 mm	450 mm
GPmp130	1723 mm	897 mm	966 mm	800 mm	500 mm	450 mm
GPmp160	1768 mm	895 mm	1065 mm	892 mm	600 mm	500 mm

Dimensions – T-outlet



	A	B	C	D	E
GPmp100	1700 mm	650 mm	450 mm	855 mm	347 mm
GPmp130	1954 mm	897 mm	450 mm	855 mm	347 mm
GPmp160	2030 mm	895 mm	500 mm	905 mm	397 mm

Technical specifications

		GPmp100	GPmp130	GPmp160
Maximum power output	kW	102.4	129	157
Heating output	kW	93	116.5	141
Airflow ¹	m ³ /h [cfm]	6600 [3885]	7400 [4355]	9800 [5768]
Nominal power	W	1400	2200	2600
Rated voltage (3-phase)	V		230/400	
Rated frequency	Hz		50/60	
Rated current	A	3	5	5.9
Oil consumption	l/h	9.5	12	14.6
Gas consumption	kg/h	7.2 - 9.5	9.3 - 12.4	11.4 - 15.3
Gas pressure	mbar		30 - 50	
Weight (with straight outlet)	kg	155	188	195
Motor insulation grade/protective class			F/IP55	

¹Airflow data measured at standard conditions (15°; 1013 hPa)

Find your nearest Munters office at www.munters.com

Munters reserves the right to make alterations to specifications, quantities, etc., for production or other reasons, subsequent to publication. © Munters AB, 2021