

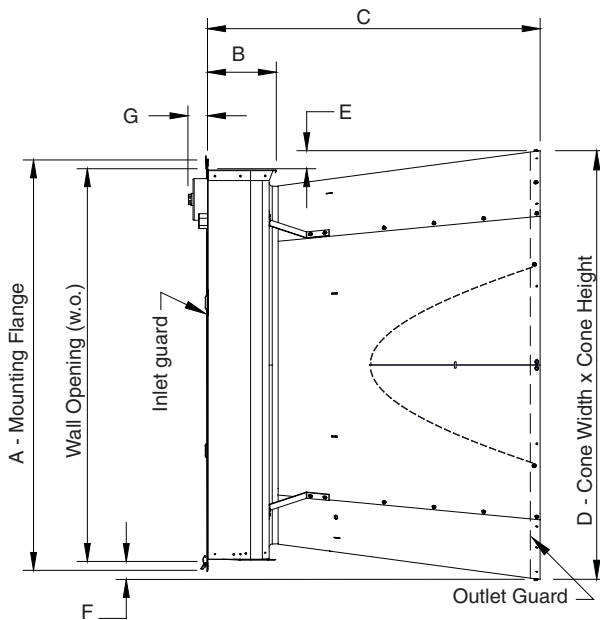
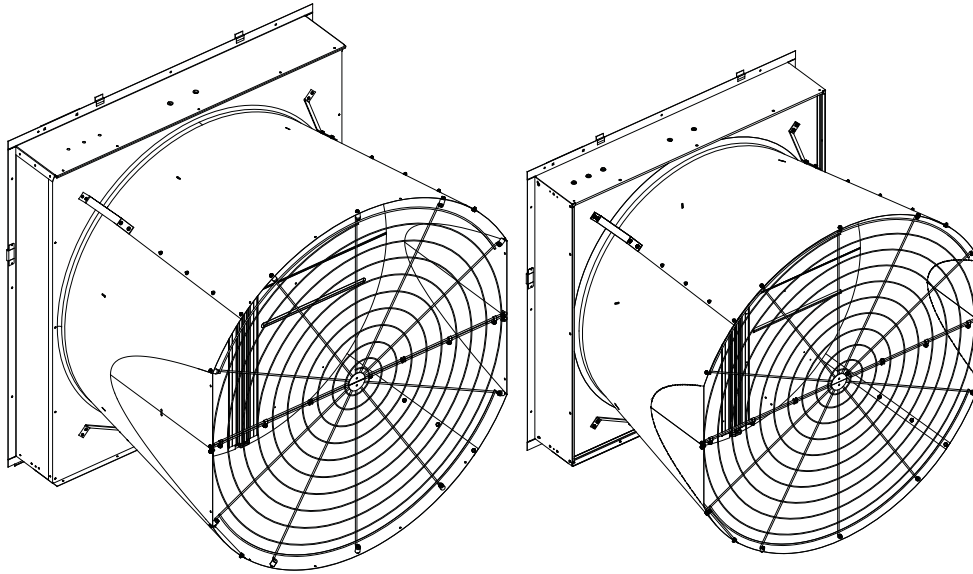
WF50 and WF54

with Dragonfly Damper Patent Pending

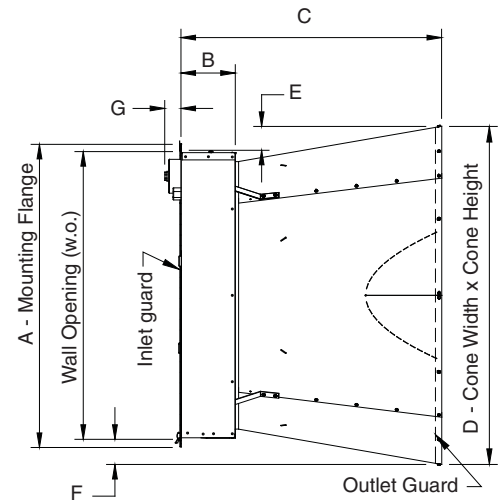
Technical Specifications

Features

- 4 door design for maximum performance
- Superior weather protection
- Flush mount interior guard
- Cast aluminum drive assembly with limited 7 year bearing warranty
- Automotive style belt tensioner
- Heavy duty galvanized steel propeller
- Galvanized steel fan housing
- Single or 3 phase high efficiency motor
- MONO-STRUT for strength and durability



WF54 with Dragonfly Damper



WF50 with Dragonfly Damper

Dimensions:

Size	A	B	C	D Cone Width x Cone Height	E Above W.O.	F below W.O.	G	Wall Openings (W.O.)
50"	57 ⁷ / ₁₆ " x 57 ⁷ / ₁₆ " sq.	10 ⁵ / ₁₆ "	49 ³ / ₈ "	59 ¹ / ₂ "W. x 64"H.	4 ⁹ / ₁₆ "	4 ¹ / ₂ "	3 ¹ / ₁₆ "	54 ¹ / ₂ "W. x 54 ¹ / ₂ "H.
54"	61 ¹ / ₁₆ "W. x 63 ⁵ / ₁₆ " H.	10 ⁵ / ₈ "	51 ¹ / ₄ "	59"W. x 66"H.	2 ³ / ₄ "	2 ³ / ₄ "	3"	58 ¹ / ₂ "W. x 60 ¹ / ₂ " H.

*Opening based on 2 x 4 framing. Opening size may change with framing type. Refer to installation instructions, Form QM1084, for additional information.



Technical Specifications

Technical Data: 60Hz shown (50Hz available)

Size	Drive	Speed	HP	Phase	Voltage	SF	SF Amps	Prop.RPM
50"	Belt	SS	1	1	208-230/110-115	1.4	6.6-6.0/13.2-11.9	460
50"	Belt	SS or FQ	1	3	460/200-230	1.3	2.0/4.2-4.0	460
50"	Belt	SS	1-½	1	230/115	1.0	8.5/17.0	510
50"	Belt	SS or FQ	1-½	3	460/208-230	1.15	2.4/4.8-4.8	510
54"	Belt	SS	1	1	208-230/110-115	1.4	6.6-6.0/13.2-11.9	525
54"	Belt	SS or FQ	1	3	460/200-230	1.3	2.0/4.2-4.0	525
54"	Belt	SS	1-½	1	230/115	1.0	8.5/17.0	555
54"	Belt	SS or FQ	1-½	3	460/208-230	1.15	2.4/4.8-4.8	555
54"	Belt	SS	2	1	208-230/115	1.2	13.8-11.3/22.6	590
54"	Belt	SS or FQ	2	3	460/200-230	1.2	3.3/7.1-6.6	590

Abbreviations:

SS = Single Speed
 FQ = Frequency Drive Control
 SF = Service Factor
 SF Amps = Service Factor Amps

Performance Data: Fan complete with flat-sided discharge cone, Dragonfly damper and guard

Catalog Number	Motor HP	Max BHP	0.0" SP		0.05" SP		0.10" SP		0.15" SP		0.20" SP		Airflow Ratio	Bess Lab. Test No.
			CFM	CFM/Watt	CFM	CFM/Watt	CFM	CFM/Watt	CFM	CFM/Watt	CFM	CFM/Watt		
WF501VCD	1	1.29	27,000	25.2	25,200	22.7	23,200	20.4	21,000	17.9	18,800	15.7	0.75	07401
WF5015VCD	1.5	1.70	30,100	20.4	28,500	18.7	26,900	17.1	24,600	15.1	22,300	13.4	0.78	07188
WF541VWCD	1	1.35	29,800	27.8	28,100	24.5	26,400	21.9	24,200	19.3	21,900	16.7	0.78	07394
WF5415VWCD	1.5	1.74	31,700	24.3	30,000	22.2	28,300	20.0	26,300	17.7	24,100	15.6	0.80	07396
WF542VWCD	2	1.98	33,400	22.4	31,900	20.7	30,300	18.9	28,600	17.0	26,800	15.4	0.84	07397

Notes:

- The ratings shown are based on tests and procedures performed at the BESS Lab, University of Illinois in accordance with ASHRAE Standard 51-1999.
- BHP values were not measured at the BESS Lab. The BHP values shown were derived from actual Watt measurements using motor efficiency values supplied by the motor manufacturers.

WFD-TS © Copyright Jan. 2008

Munters Corporation

4215 Legion Drive Mason, MI 48854-1036 USA
 Toll-free: 800-227-2376 Local: 517-676-7070 Fax: 517-676-7078
 Email: aerotech@munters.com Web: www.munters.us/aerotech.com

