

EQUIPMENT

EMT30–EMC30

EMT30 – EMC30

Jet fan



Photo shows fully equipped fan EMT30.

EMT30 – EMC30 are developed to break up stratified heat, humidity and stagnant air. EMT30 is the basic version, while EMC30 has an integrated motorised inlet shutter system.

The unique propeller design is self-cleaning and, together with air flow rectifiers, allows the highest efficiency to be reached.

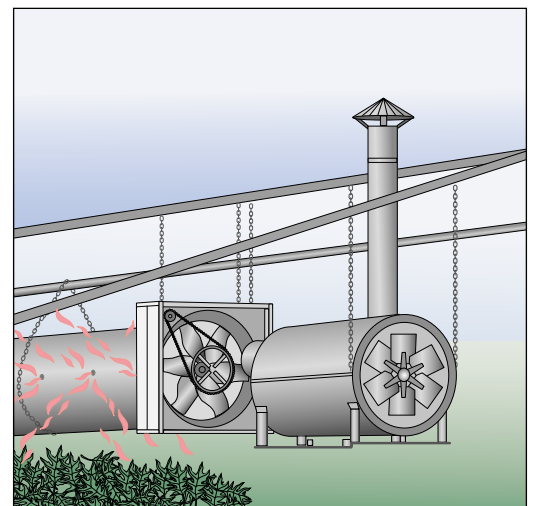
The housing and air conveyor (venturi) are made of a strong galvanised sheet-steel. The 6-blade propeller is statically and dynamic balanced for low noise and low vibration.

To improve aerodynamic efficiency, the fan has been developed in Munters euroemme's R&D lab. The test chamber has been built according to ANSI/AMCA 210-85 Figure 15 specifications. Construction details and airtightness have been verified by personnel of the BESS Lab at the Agricultural Engineering Department, University of Illinois – USA.

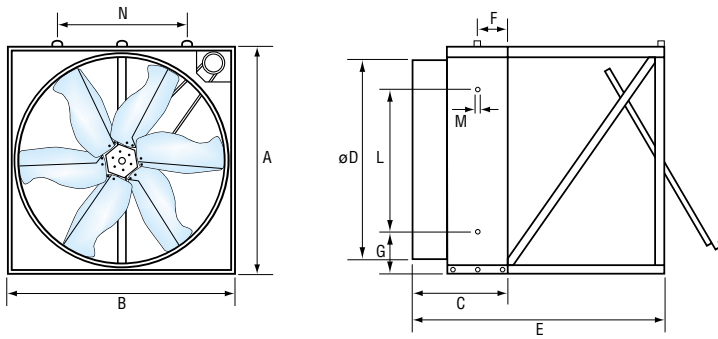
Propeller

The propeller is attached to a large v-belt pulley in which is embedded a double ball bearing protected against water. The belt transmission ensures low propeller rpm, which ensures high efficiency, low energy consumption as well as low noise..

- Fan housing and venturi made of strong galvanised sheet-steel
- Each motor is individually tested for 100% quality control
- Central hub and v-belt pulley are made from die-cast aluminium
- Propeller is statically and dynamically balanced
- Special threaded bushes on fan's side panels permit the fan to be easily hung
- Every fan is individually checked for quality
- By mixing the air, problems such as water condensation, crop disease due to high localised humidity, ammonia content in poultry houses, can be reduced
- When operating in combination with suspended air heaters, the aid of the jet fan is powerful in reducing heating cost and for increasing the life span of plastic duct systems
- EMC30, being equipped with motorised inlet shutter, allows more oxygen to be introduced into the house during mid season and winter months



The principle of mixing air for better heat distribution.



Dimensions [mm]				
Main				
A	B	C	D	E
950	950	415	780	1,275
For mounting				
F	G	L	M	N
165	240	475	M8	550

Data refers to EMC30.
EMT30 has no value for E and N.

Motor specifications

EMT30 EMC30 Code	Nominal power		Type phases	Speed	Frequency [hz]	Voltage [V]	Current [A]	rpm
	[W]	[hp]						
a	370	0.5	1	single	50	230	3	1,380
b	370	0.5	1	multi*	50	230	3	1,380
c	370	0.5	1	single	60	220-240	3.3	1,700
d	370	0.5	3	single	50	230/400	2.3/1.3	1,400
e	370	0.5	3	single	60	230/400	2.3/1.3	1,700
f	370	0.5	3	multi*	50	230/400	2.6/1.5	1,380
g	370	0.5	3	multi*	60	230/400	2.6/1.5	1,670
h	550	0.75	1	single	50	230	4	1,400
i	550	0.75	1	multi*	50	230	4	1,400
k	550	0.75	1	single	60	220-240	4.4	1,700
l	550	0.75	3	single	50	230/400	2.8/1.6	1,400
m	550	0.75	3	single	60	230/400	2.8/1.6	1,700
n	550	0.75	3	multi*	50	230/400	3.2/1.8	1,380
o	550	0.75	3	multi*	60	230/400	3.2/1.8	1,650

* Multi speed motors must be regulated with auto-transformer which is not supplied.

Technical specifications

			0.5 hp	0.75 hp
Weight of fully equipped fan ¹	EMT	[kg]	43	44
	EMC	[kg]	70	71
Nominal propeller speed	[rpm]	590	640	
Airflow at 0 Pa ¹	[m ³ /h] [cfm]	13,570 [7,990]	14,680 [8,640]	
Specific performance at 0 Pa ¹	[m ³ /Wh] [cfm/hw]	20.2 [11.9]	17.8 [10.5]	
Propeller diameter	[mm] [inch]		760 [30]	
Number of blades			6	
Max. operating temperature	[°C] [°F]		50 [122]	
IEC protective class of electric motor			IP55	
Electric motor winding insulation grade			F	

¹All values refer to 3 phases 50 Hz single speed motor.

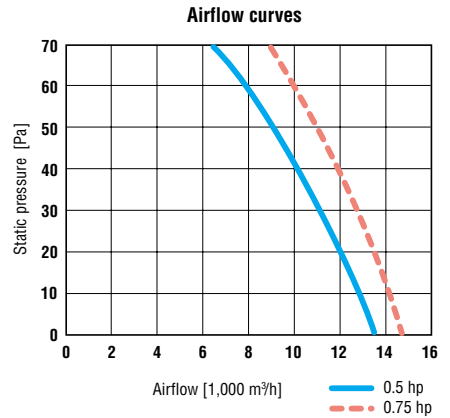
N.B. Airflow data are measured at standard condition (20 °C, 1013 hPa).

EMT30 – EMC30 is developed and produced by Munters euroemme S.p.A., Italy.



Munters Europe AB, HumiCool Division, Kung Hans Väg 8, P.O. Box 434, SE-191 24 Sollentuna, Sweden. Phone +46 (0)8-626 63 00, Fax +46 (0)8-754 56 66.
Munters euroemme S.p.A., Strada Piani 2, IT-18027 Chiusavecchia, Italy. Tel. +39 0183-52 11, Fax +39 0183-521 333.
www.munters.com

Austria via sales organization in Germany, Munters Euroform GmbH, Phone +49 (0)241-89 000, Fax +49 (0)241-89 00 199, **Denmark** via sales organization in Sweden, Munters Europe AB, Phone +46 (0)8-626 63 00, Fax +46 (0)8-754 56 66, **Finland** Munters Oy, Phone +358 (0)9-83 86 0330, Fax +358 (0)9-83 86 0336, **France** Munters France S.A., Phone +33 (0)1-34 11 57 50, Fax +33 (0)1-34 11 57 51, **Germany** Munters Euroform GmbH, Phone +49 (0)241-89 000, Fax +49 (0)241-89 00 199, **Italy** Munters euroemme S.p.A., Phone +39 0183-52 11, Fax +39 0183-521 333, **Kingdom of Saudi Arabia and Middle East** Hawa Munters, c/o Hawa United Cooling Syst. Co. Ltd., Phone +966 (0)1-477 15 14, Fax +966 (0)1-476 09 36, **Norway** via sales organization in Sweden, Munters Europe AB, Phone +46 (0)8-626 63 00, Fax +46 (0)8-754 56 66, **South Africa & Sub-Sahara Countries** Munters (Pty) Ltd, Phone +27 (0)11-971 9700, Fax +27 (0)11-971 9701, **Spain** Munters Spain S.A., Phone +34 91-640 09 02, Fax +34 91-640 11 32, **Sweden** Munters Europe AB, Phone +46 (0)8-626 63 00, Fax +46 (0)8-754 56 66, **Switzerland** via sales organization in Germany, Munters Euroform GmbH, Phone +49 (0)241-89 000, Fax +49 (0)241-89 00 199, **United Kingdom** Munters Ltd, Phone +44 (0)845-644 3980, Fax +44 (0)845-644 3981, **Export & Other countries** Munters Europe AB Phone +46 (0)8-626 63 00, Fax +46 (0)8-754 56 66, **Region Americas** Munters Corporation, Phone +1 (0)978-241 1100, Fax +1 (0)978-241 1219, **Region Asia** Munters K.K., Phone +81 (0)3-5970 0021, Fax +81 (0)3-5970 3197.



Curves refer to EMT/EMC30 3Ph 50 Hz single speed motor.

Order information

EMT30-X-X e.g., EMT30-b-2
EMC30-X-X e.g., EMC30-b-2

Code for electric motor according to above table.

Code for the type of propeller blades.

- Galvanised propeller blades.
- Precoated propeller blades.
- Stainless steel propeller blades.