

EQUIPMENT

EDS24

- Fan housing and venturi made of strong galvanised sheet-steel
- Each motor is individually tested for 100% quality control
- Propeller is statically and dynamically balanced
- Special threaded bushes on fan's side panels permit the fan to be easily hung
- Every fan is individually checked for quality

EDS24

Air recirculator



Photo shows fully equipped fan EDS24.

EDS24 is the ideal air recirculation fan whenever high air movement capacity is required.

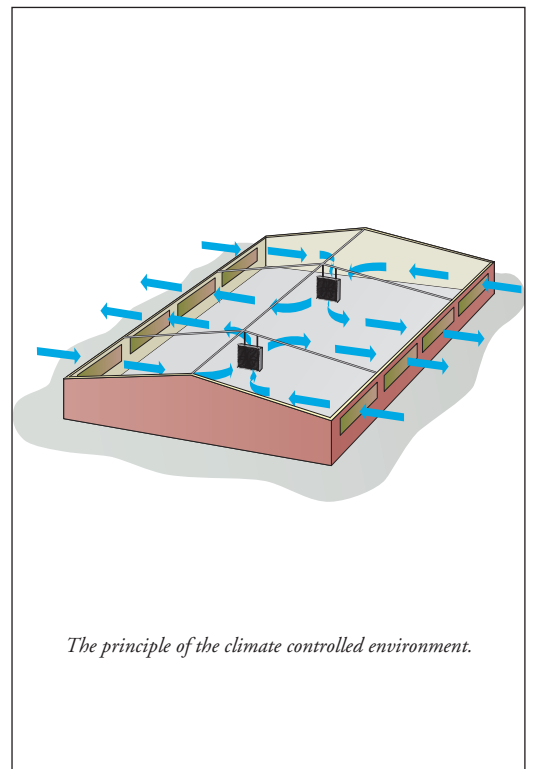
The unique propeller design is self-cleaning and allows the highest efficiency to be reached.

The square fan housing and air conveyor (venturi) are made of a strong galvanised sheet-steel. The 6-blade propeller is statically and dynamic balanced for low noise and low vibration. The propeller is available in stainless steel, galvanised steel and pre-coated and galvanised steel.

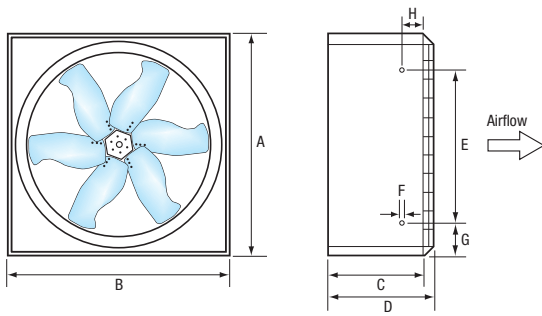
To improve aerodynamic efficiency, the fan has been developed in Munters euroemme's R&D lab. The test chamber has been built according to ANSI/AMCA 210-85 Figure 15 specifications. Construction details and airtightness have been verified by personnel of the BESS Lab at the Agricultural Engineering Department, University of Illinois – USA.

Propeller and shutter

Propeller is directly coupled with motor in order to reduce the number of rotating parts.

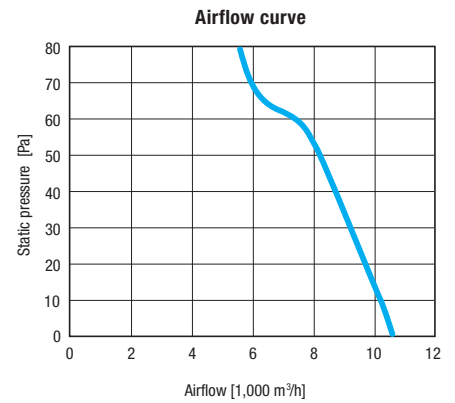


The principle of the climate controlled environment.



Dimensions [mm]			
Main			
A	B	C	D
750	750	375	445
For mounting			
E	F	G	H
475	M8	135	168

E depth refers to the fan with supplementary CE shutter safety mesh.



Curve refers to EDS24 3Ph 50 Hz motor.

Motor specifications

EDS24 Code	Nominal power		Type phases	Speed	Frequency [Hz]	Voltage [V]	Current [A]	rpm
	[W]	[hp]						
a	370	0.5	3	multi*	50	230/400	2.5/1.5	900
b	370	0.5	3	multi*	60	230/400	2.5/1.5	1,100
c	370	0.5	1	multi*	50	220	3.8	900
d	370	0.5	1	multi*	50	240	3.7	900
e	370	0.5	1	multi*	60	220	4.5	1,100

* Multi speed motors must be regulated with auto-transformer which is not supplied.

Technical specifications

		0.5 hp
Weight of fully equipped fan ¹	[kg]	34
Nominal propeller speed 50/60 Hz	[rpm]	900/1,100
Airflow at 0 Pa ¹	[m ³ /h] [cfm]	10,600 [6,240]
Specific performance at 0 Pa ¹	[m ³ /Wh] [cfm/w]	12.5 [7.3]
Propeller diameter	[mm] [inch]	600 [24]
Number of blades		6
IEC protective class of electric motor		IP55
Electric motor winding insulation grade		B

¹All values refer to 3 phases 50 Hz motor.

N.B. Airflow data are measured at standard condition (20 °C, 1013 hPa).

EDS24 is developed and produced by Munters S.p.A., Italy.

Order information

EDS24-X-X-X e.g., EDS24-b-2-wm

Code for electric motor according to above table.

Code for the type of propeller blades.

- Galvanised propeller blades.
- Precoated propeller blades.
- Stainless steel propeller blades.

Options codes

wm Fan delivered with pyramidal shape mesh for CE protection on shutter side.

nm Fan delivered without pyramidal shape mesh for CE protection on shutter side (standard).



Munters, HumiCool Division, Kung Hans Väg 8, P.O. Box 434, SE-191 24 Sollentuna, Sweden. Phone +46 8 626 63 00, Fax +46 8 754 56 66.

Munters Italy S.p.A., Strada Piani 2, IT-18027 Chiusavecchia, Italy. Phone +39 0183 52 11, Fax +39 0183 521 333.

www.munters.com

Australia Munters Pty Limited, Phone +61 2 6025 6422, Fax +61 2 6025 8266, **Austria** via sales organization in Germany, **Brazil** Munters Brasil Industria e Comercio Ltda, Phone +55 11 5054 0150, Fax +55 11 5054 0883, **China** Munters Air Treatment Equipment (Beijing) Co., Ltd., Phone +86 10 80 481 121, Fax +86 10 80 483 493, **Denmark** via sales organization in Sweden, **Finland** Munters Oy, Phone +358 9 83 86 030, Fax +358 9 83 86 0336, **France** Munters France S.A., Phone +33 1 34 11 57 50, Fax +33 1 34 11 57 51, **Germany** Munters Euroform GmbH, Phone +49 241 89 00 0, Fax +49 241 89 00 5199, **Indonesia** Munters, Phone +62 21 9105446-7, Fax +62 21 5310509, **Italy** Munters Italy S.p.A., Phone +39 0183-52 11, Fax +39 0183-521 333, **Japan** Munters K.K., Phone +81 3 5970 0021, Fax +81 3 5970 3197, **Kingdom of Saudi Arabia and Middle East** Hawa Munters, c/o Hawa United Cooling Syst. Co. Ltd., Phone +966 1 477 15 14, Fax +966 1 476 09 36, **Korea** Munters Korea Co., Ltd, Phone +82 2 761 8701, Fax +82 2 761 8777, **Mexico** Munters Mexico Phone +52 722 270 40 30, Fax +52 722 270 41 95, **Norway** via sales organization in Sweden, **South Africa and Sub-Sahara Countries** Munters (Pty) Ltd, Phone +27 11 997 2000, Fax +27 11 608 3501, **Russia** Munters Europe AB, Phone: +7 812 4485740, Fax +7 812 5418660, **Spain** Munters Spain S.A., Phone +34 91-640 09 02, Fax +34 91-640 11 32, **Sweden** Munters Europe AB, Phone +46 8 626 63 00, Fax +46 8 754 56 66, **Switzerland** via sales organization in Germany, **Thailand** Munters (Thailand) Co. Ltd., Phone +66 2 645 2708-12, Fax +66 2 645 2710, **United Kingdom** Munters Ltd, Phone +44 845 644 3980, Fax +44 845 644 3981, **USA** Munters Corporation **Fort Myers**, Phone +1 239 936 1555, Fax +1 239 936 8858, Munters Corp. **Mason**, Phone +1 888 335 0100, Fax +1 517 676 7078, **Export & Other countries** Munters Europe AB, Phone +46 8 626 63 00, Fax +46 8 754 56 66.

Munters reserves the right to make alterations to specifications, quantities, etc., for production or other reasons, subsequent to publication.
© Munters, 2007

Your closest distributor