



Product sheet  
ED36HE - ED30HE  
ED24HE



- Family members of the time proven Euroemme® fan range
- High airflow capacity with excellent energy efficiency
- Low power consumption
- Direct drive system
- Patented shutter-opening device
- Fan housing and Venturi made of strong galvanised sheet-steel
- Shutters are made of pressed galvanised steel in order to ensure highest strength

## ED36HE - ED30HE - ED24HE

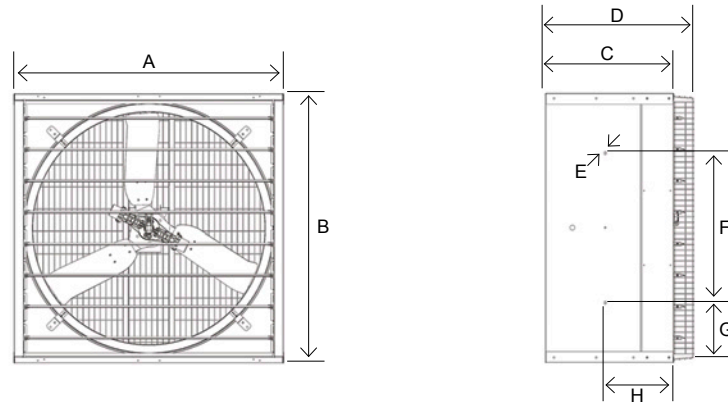
The ambition of Munters is to achieve sustainable solutions that provide both environmental and economic benefits for its customers, and so, driven by the European ErP Ecodesign Directive 2009/125/EC, we have introduced the new Euroemme® EDHE exhaust fans series.

The EDHE fan series belongs to the new generation of high energy efficient, very robust and reliable exhaust fans range, suitable for an extensive variety of professional applications in order to create optimal climate control system. The EDHE exhaust fan series consists of a 36/30/24" box fan and a direct drive system, with the 3-blade propeller statically and dynamically balanced attached onto the electric motors shaft. The shutter blades are installed on the outlet side, and the whole shutter system is driven by the patented shutter-opening device, that is operated by the propeller rotation. This combination renders the EDHE as the ideal air extraction fan that can deliver high airflow capacity with low power consumption.

The EDHE has been designed, tested and developed in the Munters R&D laboratory, while the performances were confirmed by tests performed in BESS Lab at the Agricultural Engineering Department of University of Illinois, USA.



## Dimensions



Model	A	B	C	D	E	F	G	H
ED36HE	1,090	1,090	520	600	M8	600	245	280
ED30HE	950	950	520	600	M8	600	175	360
ED24HE	745	745	510	590	M8	475	135	330

All measurements are in millimeters.

## Technical specifications

	ED36HE	ED30HE	ED24HE	
	0.75hp	0.5hp	0.5hp	
Number of blades	3	3	3	
Number of shutter blades	8	7	5	
Propeller diameter	mm [inch]	915 [36]	770 [30]	610 [24]
Weight of fully equipped fan*	[kg]	70	60	49
Efficiency grade**		41.4	40.3	41.0
Airflow at 0 Pa	m <sup>3</sup> /h [cfm]	19,100 [11,300]	14,000 [8,460]	9,100 [5,360]
Airflow at 12 Pa	m <sup>3</sup> /h [cfm]	18,200 [10,700]	13,700 [8,080]	8,800 [5,180]
Airflow at 25 Pa	m <sup>3</sup> /h [cfm]	17,200 [10,100]	12,900 [7,620]	8,400 [4,960]
Specific performance at 0 Pa	m <sup>3</sup> /h /W [cfm /W]	30.3 [17.8]	22.1 [13.0]	17.3 [10.2]
Max. operating temperature	°C [°F]	50 [122]	50 [122]	50 [122]
Nominal propeller speed	[rpm]	910	870	1,360
IEC protective class of electric motor		IP55	IP55	IP55
Electric motor winding insulation grade		F	F	F

\* Excludes safety kit for installation below 2.7m above the floor.

\*\* According to the requirements of the European ErP Ecodesign Directive 2009/125/EC.

Euroemme® EDHE exhaust fan is developed and produced by Munters Italy S.p.A., Italy



Your closest distributor

**Australia** Munters Pty Limited, Phone +61 2 8843 1594, **Brazil** Munters Brasil Industria e Comercio Ltda, Phone +55 41 3317 5050, **Canada** Munters Corporation Mason, Phone +1 517 676 7070, **China** Munters Air Treatment Equipment (Beijing) Co. Ltd, Phone +86 10 80 41 8000, **Denmark** Munters A/S, Phone +45 9862 3311, **India** Munters India, Phone +91 20 3052 2520, **Indonesia** Munters, Phone +62 818 739 235, **Italy** Munters Italy S.p.A., Chiusavecchia, Phone +39 0183 52 11, **Japan** Munters K.K., Phone +81 3 5970 0021, **Korea** Munters Korea Co. Ltd., Phone +82 2 761 8701, **Mexico** Munters Mexico, Phone +52 818 262 54 00, **Russia** Munters AB, Phone +7 812 448 5740, **Singapore** Munters Pte Ltd., Phone +65 744 6828, **South Africa and Sub-Sahara Countries** Munters (Pty) Ltd., Phone +27 11 997 2000, **Spain** Munters Spain S.A., Phone +34 91 640 09 02, **Sweden** Munters AB, Phone +46 8 626 63 00, **Thailand** Munters Co. Ltd., Phone +66 2 642 2670, **Turkey** Munters Form Endüstri Sistemleri A.Ş, Phone +90 262 751 3750, **USA** Munters Corporation Mason, Phone +1 517 676 7070, **Vietnam** Munters Vietnam, Phone +84 8 3825 6838, **Export & Other countries** Munters Italy S.p.A., Chiusavecchia Phone +39 0183 52 11

Munters reserves the right to make alterations to specifications, quantities, etc., for production or other reasons, subsequent to publication.

© Munters AB, 2014