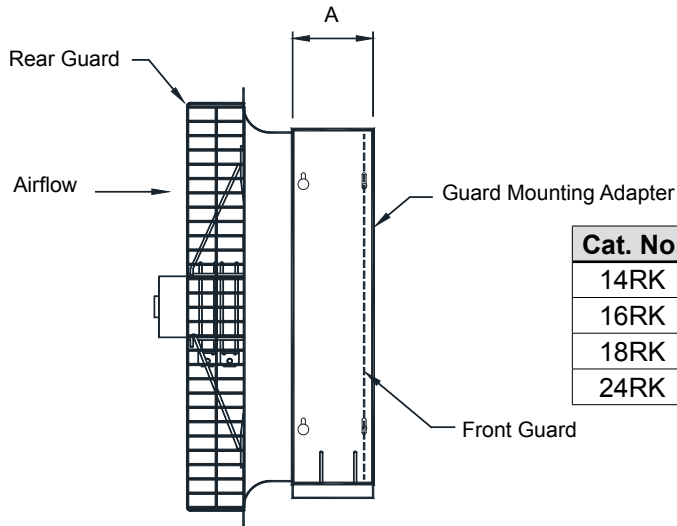
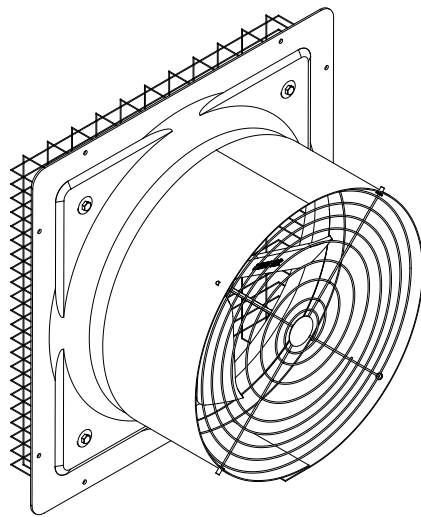




FRONT and REAR GUARD KIT "RK" Series for 14" - 24" Fans

14RK • 16RK • 18RK • 24RK



Cat. No.	Fan Dia.	A
14RK	14"	7 ⁵ / ₈ "
16RK	16"	7 ⁵ / ₈ "
18RK	18"	7 ⁵ / ₈ "
24RK	24"	7 ⁵ / ₈ "

THANK YOU

Thank you for purchasing an Aerotech Guard Kit from Munters. Munters equipment is designed to be the highest performing, highest quality equipment you can buy. With the proper installation and maintenance it will provide many years of service.

PLEASE NOTE

To achieve maximum performance and insure long life from your Munters product it is essential that it be **installed and maintained properly**. Please read all instructions carefully before beginning installation.

UNPACKING THE EQUIPMENT

Before beginning installation, check the overall condition of the equipment. Remove packing materials, and examine all components for signs of shipping damage. Any shipping damage is the customer's responsibility and should be reported immediately to your freight carrier.

Each Guard Kit includes:

- 1 - PVC Guard Mounting Adapter
- 1 - PVC Coated Front Guard, **From Chart A:**
- 1 - PVC Coated Rear Guard, **From Chart B:**
- 1 - Hardware package (HP1030) including:

HP1030 includes:

- [A].....4 - 1/4"-20 x 7/8" Truss Head Bolt, S.S.
- [B].....4 - 1/4"-20 Hex Flange, Nylock Nut, S.S.
- [C]..... 2 - #10 x 3/4" TEK Screws (S.S.)
- [E]..... 8 - Wire Ties, Black

HP1144 - 14"-18" RC Cones

- [D]..... 4 - End Caps, Yellow Plastic

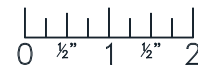
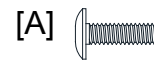
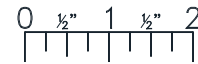


Chart A

Cat. No.	Front Guard	Diameter (largest ring)
14RK	FH1233	14 ¹ / ₈ "
16RK	FH1234	16 ¹ / ₈ "
18RK	FH1235	18 ¹ / ₈ "
24RK	FH1237	24 ¹ / ₈ "

Chart B

Cat. No.	Rear Guard	Size (Sq.)
14RK	FH1263	18 ¹ / ₂ "
16RK	FH1264	20 ¹ / ₂ "
18RK	FH1265	22 ¹ / ₂ "
24RK	FH1267	28 ¹ / ₂ "

Munters Corporation

4215 Legion Dr. Mason, MI 48854-1036 USA
(517) 676-7070 Fax (517) 676-7078 www.munters.us

FORM: QM1011

Rev. 5, October 2013

Page 1 of 2

INSTALLATION INSTRUCTIONS

Step 1

Remove adapter and guards from shipping carton.

Step 2

Lay adapter on flat surface and curl ends around until they overlap. Join ends using (2) TEK screws [C].

See Figure 1. Screws should pass through slots and secure into small round holes. **DO NOT** tighten.

Step 3

Slip adapter over fan outlet and align slots with holes in fan. Make sure overlap joint is at bottom.

Step 4

Attach adapter to fan by inserting (4) Truss Head Bolt [A] from inside and securing with (4) Flange Nut [B] on outside. **See Figure 2.** **DO NOT** tighten nuts at this time.

Step 5

Pull tab on bottom of adapter to firmly wrap adapter around fan outlet. Tighten TEK screws, then tighten Truss Head Bolt [A] and Flange Nut [B].

Step 6

Install one plastic End Cap [D] on each extended wire of guard (4 total). **See Figure 1.** Mount front guard in adapter by inserting (4) extended wires through slots in adapter. **See Figure 1.**

Step 7

Secure rear guard to motor support and fan panel using (8) wire ties [D] (2) per side. Assembly is now complete.

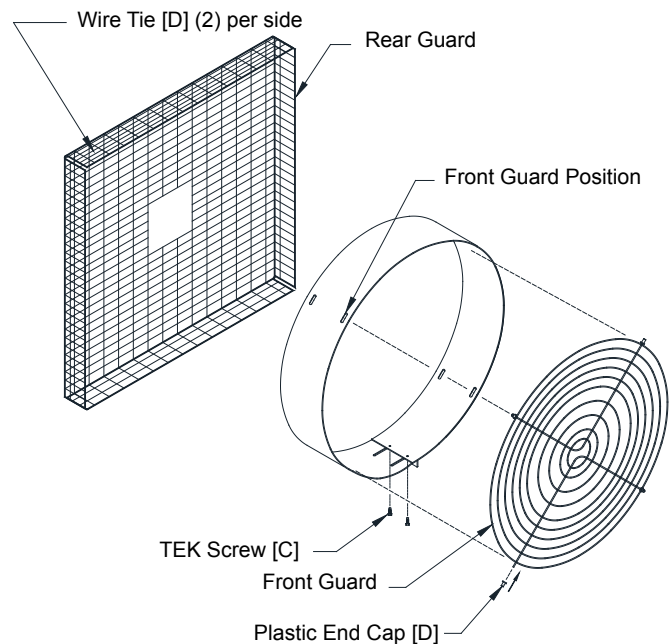


Figure 1

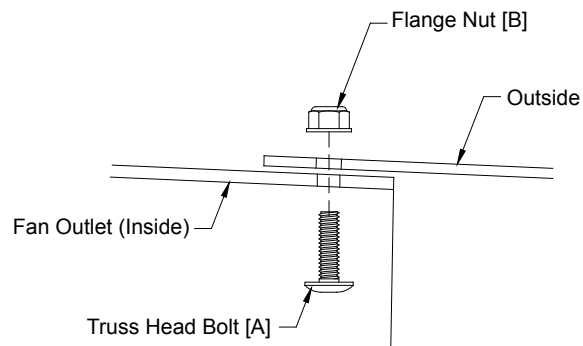


Figure 2

WARRANTY

For Warranty claims information see the "Warranty Claims and Return Policy" form QM1021 available from the Munters Corporation office at 1-800-227-2376 or by e-mail at aghort.info@munters.com.

Conditions and Limitations:

- Products and Systems involved in a warranty claim under the "Warranty Claims and Return Policy" shall have been properly installed, maintained and operated under competent supervision, according to the instructions provided by Munters Corporation.
- Malfunction or failure resulting from misuse, abuse, negligence, alteration, accident or lack of proper installation or maintenance shall not be considered a defect under the Warranty.

Munters Corporation

4215 Legion Dr. Mason, MI 48854-1036 USA
(517) 676-7070 Fax (517) 676-7078 www.munters.us

FORM: QM1011

Rev. 5, October 2013

Page 2 of 2