

Insulated Closure Panel Chart			
Catalog No.	Used With Fan	Replaces Shutter	Optional Shutter Clip Kit
IR26	VX26	PR26, PT26, PV26	FH1192
IR51	VX51	PR51, PT51, PV51	FH1196
IR55	VX55	PR55, PT553, PV553	FH1196
IC0914	AT14Z, VX14	PT14, PZ14	FH1192
IC1618	AT16Z, AT18Z, VX16, VX18	PT1618, PZ1618	FH1192
IC24	AT24Z, VX24	PT24, PZ24	FH1192
IC36	AT36Z, VX36	PZ36	FH1196
IC48	AT48Z, VX48	PZ48	FH1196
IC51	AX51xT	PZ51, PZ52	FH1196

THANK YOU

Thank you for purchasing an Insulated Closure Panel from Munters. Munters equipment is designed to be the highest performing, highest quality equipment you can buy. With the proper installation and maintenance it will provide many years of service.

PLEASE NOTE

To achieve maximum performance and insure long life from your Munters product it is essential that it be **installed and maintained properly**. Please read all instructions carefully before beginning installation.

UNPACKING THE EQUIPMENT

Before beginning installation, check the overall condition of the equipment. Remove packing materials, and examine all components for signs of shipping damage. Any shipping damage is the customer's responsibility and should be reported immediately to your freight carrier.

INSTALLATION INSTRUCTIONS

Step 1

Remove Shutter from back of fan.

Step 2

If fan has existing Shutter Clips that are going to be reused, insert Insulated Closure Panel into fan where shutter was and rotate Shutter Clips in place to hold panel.

Step 3

If there are no existing Shutter Clips and the optional Shutter Clip Kit was purchased proceed to Page 2 for Shutter Clip Locations. **See Figure 1** for FH1192. **See Figure 2** for FH1196.

INSTALLATION INSTRUCTIONS (continued)

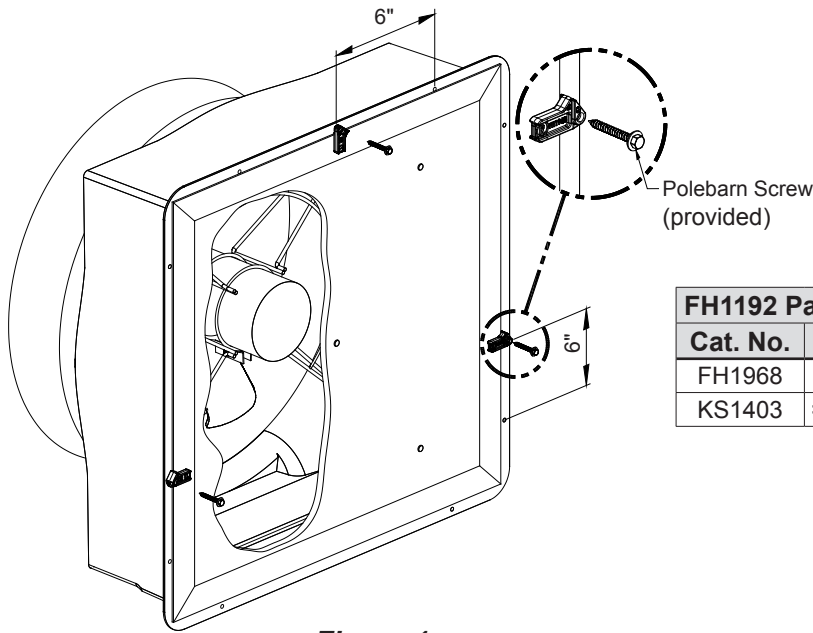


Figure 1

FH1192 Parts		
Cat. No.	Description	Qty.
FH1968	1-Hole Pivoting Shutter Clip, BLK PL	3
KS1403	#9 x 2" Hex, Seal Washer Polebarn Screw, ZP	3

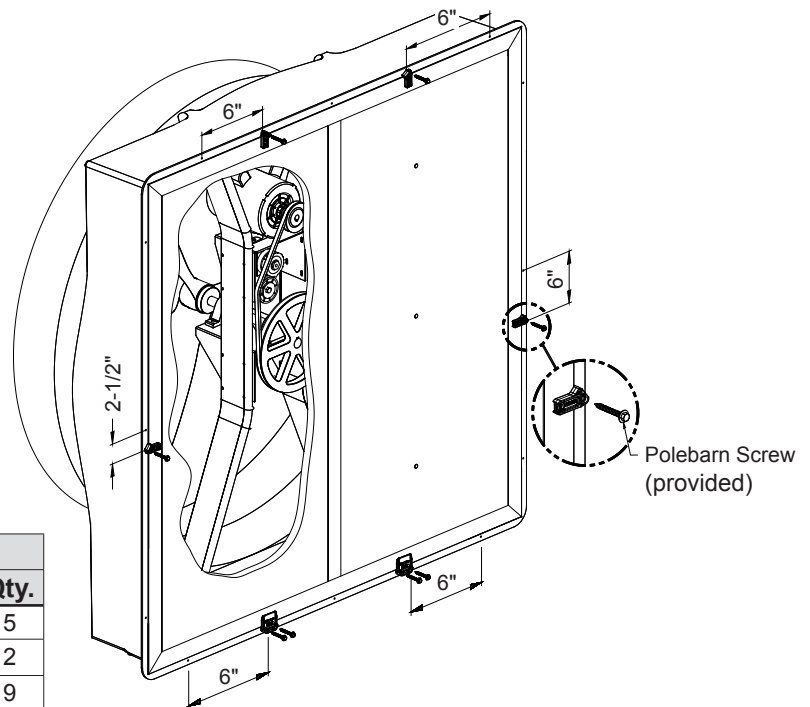


Figure 2

FH1196 Parts		
Cat. No.	Description	Qty.
FH1968	1-Hole Pivoting Shutter Clip, BLK PL	5
FH1967	2-Hole Fixed Shutter Clip, BLK PL	2
KS1403	#9 x 2" Hx, Seal Wshr Polebarn Screw, ZP	9

WARRANTY

For Warranty claims information see the "Warranty Claims and Return Policy" form QM1021 available from the Munters Corporation office at 1-800-227-2376 or by e-mail at aghort.info@munters.com.

Conditions and Limitations:

- Products and Systems involved in a warranty claim under the "Warranty Claims and Return Policy" shall have been properly installed, maintained and operated under competent supervision, according to the instructions provided by Munters Corporation.
- Malfunction or failure resulting from misuse, abuse, negligence, alteration, accident or lack of proper installation or maintenance shall not be considered a defect under the Warranty.

Munters Corporation

2691 Ena Dr. Lansing, MI 48917-8521 USA
 (517) 676-7070 Fax (517) 676-7078 www.munters.us

FORM: QM1176

Rev. 3, August 2019

Page 2 of 2