

Product sheet

WM Fiberglass Aerotech Fan Series

Now Available with Munters Drive technology

- Unique EC motor technology
- Variable speed, for minimum ventilation
- Rigid and Durable Fiberglass Housing
- Insulated and sealed damper door to reduce condensation, light and air leaks
- Polymer Engineered UV protected Cone and Damper door
- Inlet guard mounts flush with inside of building framing, without needing an additional housing

WM54F© Copyright Munters Corporation March2017

WM Fiberglass Aerotech Fan Series

The WM54F is now available with Munters Drive. Built on the original WM54F platform. The fan still has all of the original components like the fiberglass housing, welded aluminum ring, corrosion proof plastic cone and damper doors. With over 65 years of Aerotech® fan design, this fan gives producers exactly what they need. Manufactured in the USA, the Munters engineering team added the Munters Drive to an already premium product to give you the efficiency and building climate control you need. Not only is the WM54F with Munters Drive incredibly efficient, the BESS lab tested WM54F is still a top performer in its class. Protect your investment and chose the fan designed to handle your harsh livestock environment, the WM54F or the new WM54F with munters drive, designed for years of trouble free ventilation.



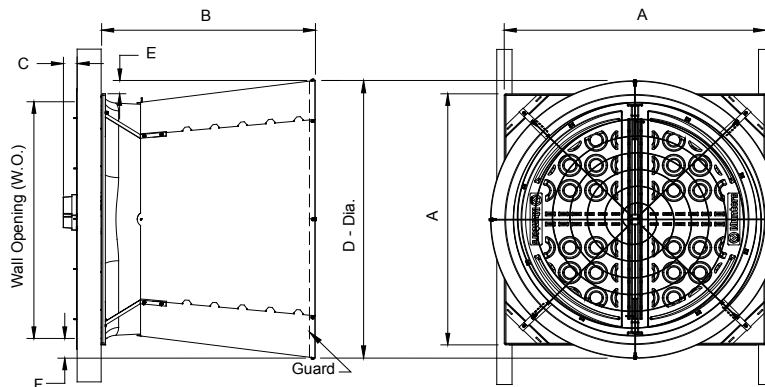
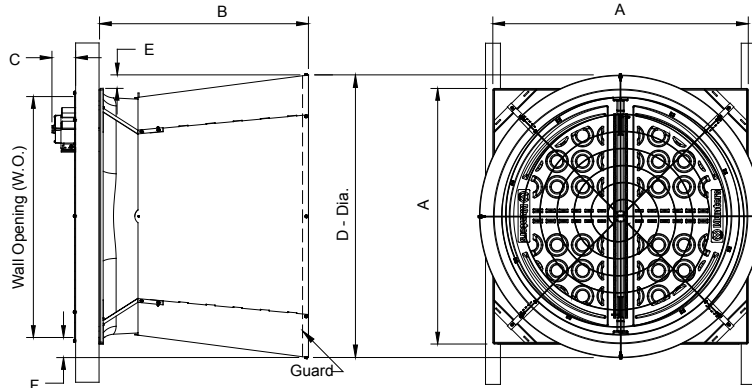
Performance Information:

Catalog Number	0.0" SP		0.05" SP		0.10" SP		0.15" SP		Air Flow	BESS Lab
	CFM	CFM Watt	CFM	CFM Watt	CFM	CFM Watt	CFM	CFM Watt		
Single Phase Motors : 1 HP, 230V										
WM541F1CB	30,700	28.0	29,100	25.0	27,200	22.3	24,900	19.6	.77	15181
Single Phase Motors : 1.5 HP, 230V										
WM5415F1CB	32,500	24.1	30,900	21.8	29,200	19.5	27,200	17.7	.81	15182
Single Phase Motors : Munters Drive, 230V										
High Efficiency - HE	30,500	30.4	28,900	26.5	27,000	23.3	22,300	17.5	.77	15116
High Rebate - HR	32,400	26.7	30,800	23.5	29,900	21.1	27,400	18.8	.85	15117
High Output - HO	34,200	23.3	32,800	20.9	31,200	18.9	29,500	16.9	.84	16950

Dimensions:

Size	A	B	C	D - Dia.	E	F	Wall Openings
WM54F	60"W. x 60" H.	49"	5 1/16"	66 5/16" *	3 3/16"	4 3/4"	56 1/2"W. x 56 1/2"H.
WM54F - HO	60"W. x 60" H.	49"	3 3/16"	66 5/16" *	3 3/16"	4 3/4"	56 1/2"W. x 56 1/2"H.

*Can mount 60" O.C. by flattening cone sides



Australia Munters Pty Limited, Phone +61 2 8843 1594, Brazil Munters Brasil Industria e Comercio Ltda, Phone +55 41 3317 5050, Canada Munters Corporation Lansing, Phone +1 517 676 7070, China Munters Air Treatment Equipment (Beijing) Co. Ltd, Phone +86 10 80 418 000, Denmark Munters A/S, Phone +45 9862 3311, India Munters India, Phone +91 20 3052 2520, Indonesia Munters, Phone +62 818 739 235, Italy Munters Italy S.p.A., Chiusavecchia, Phone +39 0183 52 11, Japan Munters K.K., Phone +81 3 5970 0021, Korea Munters Korea Co. Ltd., Phone +82 2 761 8701, Mexico Munters Mexico, Phone +52 818 262 54 00, Russia Munters AB, Phone +7 812 448 5740, Singapore Munters Pte Ltd., Phone +65 744 6828, South Africa and Sub-Sahara Countries Munters (Pty) Ltd., Phone +27 11 997 2000, Spain Munters Spain S.A., Phone +34 91 640 09 02, Sweden Munters AB, Phone +46 8 626 63 00, Thailand Munters Co. Ltd., Phone +66 2 642 2670, Turkey Munters Form Endüstri Sistemleri A.Ş, Phone +90 262 751 3750, USA Munters Corporation Lansing, Phone +1 517 676 7070, Vietnam Munters Vietnam, Phone +84 8 3825 6838, Export & Other countries Munters Italy S.p.A., Chiusavecchia Phone +39 0183 52 11.

Your closest distributor