

Product sheet

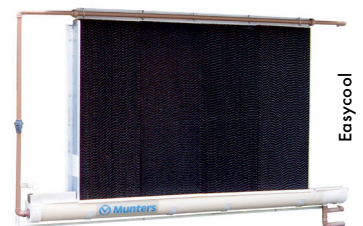
Easycool evaporative cooling system

- Open system, exclusive from Munters, showing the water distribution system during operation.
- Centrifugal pump with high water flow and easy access for the user
- Bottom gutter and water tank integrated and UV resistant PVC reservoir
- Spray deflector ensures uniform pad wetting
- Removable pad retainer for easy cleaning, open view header option available
- Cooling pads easily lift out
- Self cleaning flute design CELdek® cooling pad, with MI-T-edg® protection
- Quick and easy installation

Easycool evaporative cooling system

Easycool is a completely integrated evaporative cooling system designed to solve, in a quick and easy way, temperature problems in environmental controlled situations, such as tunnel ventilation in poultry and swine structures, climate control in greenhouses and cooling systems for hatcheries.

The natural cooling effect of evaporation is used to efficiently cool the air entering the buildings. Combined with the windchill effect of tunnel ventilation, these systems improve production in the hottest weather. Modular pad assembly holds and wets a choice of pad materials for the ultimate in efficient cooling. Inlet air temperatures can be reduced by 10-15° C on most days, and even more under ideal conditions.

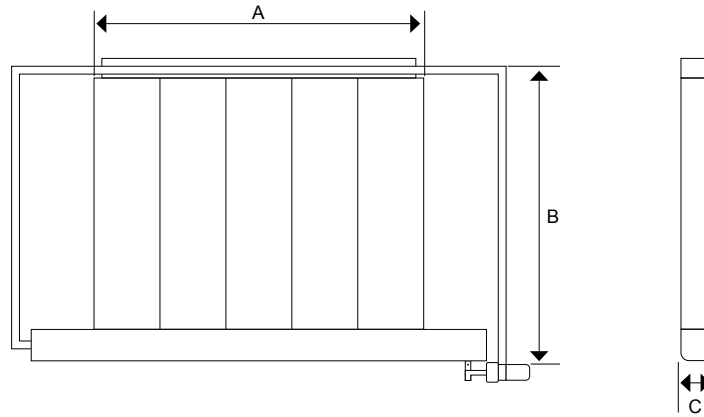


Munters Brasil Industria e Comercio Ltda

Matriz Curitiba Rua Anselmo de Lino Filho, 343-C - CEP: 81 290-250 CIC Curitiba, Brazil
Phone +55 41 3317 5050 / Fax +55 41 3317 5080 / munters.com



Model selection



Item 1 - Family

EC - Easycool

Item 2 - Thickness mm (in) - C*

150 (6)

Item 3 - Total height mm (in) - B*

1220 (48) 1524 (60) 1830 (72) 1980 (78)

Item 4 - Total length m (ft) - A*

3,66 (12) 4,88 (16) 6,10 (20) 7,31 (24) 8,53 (28) 9,75 (32) 11,00 (36) 12,20 (40)
 13,41 (44) 14,63 (48) 15,85 (52) 17,07 (56) 18,30 (60) 19,50 (64) 20,73 (68) 21,95 (72)

Item 5 - CELdek® type

0 - No CELdek®
 D - CELdek® 6560/15 with MI-T-edg®
 E - CELdek® 6590 with MI-T-edg®

Item 6 - Voltage/ Phase / Frequency

	α-Power [W]	b-Power [W]	Voltage [V]	Frequency [Hz]	Phases
0	-	No pump			
A	550	735	220	60	1
C	550	735	220	60	3
D	550	735	440	60	3
F	550	735	380	50	3
N	550	735	380	60	3
P	550	735	110	60	1
Q	550	735	220	50	1
R	550	735	254	60	1

Item 7 - Installation

0 - External (standard)
 A - Inside

* Refer to the technical drawing measures.

α-Systems up to 12m (40') and water supply from side; Systems from 12m (40') to 18 (60') and water supply from the centre

b-For systems from 18m (60') to 21,6m (72') and water supply from centre

Example:

EC 6 x 72 x 36 - D C 0
 1 2 3 4 5 6 7

Easycool evaporative cooling system is developed and produced by Munters Brazil Ltda



Your closest distributor

Australia Munters Pty Limited, Phone +61 2 6025 6422, **Brazil** Munters Brasil Industria e Comercio Ltda, Phone +55 41 3317 5050, **Canada** Munters Corporation Mason, Phone +1 517 676 7070, **China** Munters Air Treatment Equipment (Beijing) Co. Ltd, Phone +86 10 80 481 121, **Denmark** Munters A/S, Phone +45 9862 3311, **India** Munters India, Phone +91 20 3052 2520, **Indonesia** Munters, Phone +62 818 739 235, **Italy** Munters Italy S.p.A., Chiusavecchia, Phone +39 0183 52 11, **Japan** Munters K.K., Phone +81 3 5970 0021, **Korea** Munters Korea Co. Ltd., Phone +82 2 761 8701, **Mexico** Munters Mexico, Phone +52 818 262 54 00, **Russia** Munters AB, Phone +7 812 448 5740, **Singapore** Munters Pte Ltd., Phone +65 744 6828, **South Africa and Sub-Sahara Countries** Munters (Pty) Ltd., Phone +27 11 997 2000, **Spain** Munters Spain S.A., Phone +34 91 640 09 02, **Sweden** Munters AB, Phone +46 8 626 63 00, **Thailand** Munters Co. Ltd., Phone +66 2 642 2670, **Turkey** Munters Form Endüstri Sistemleri A.Ş, Phone +90 322 231 1338, **USA** Munters Corporation Mason, Phone +1 517 676 7070, **Vietnam** Munters Vietnam, Phone +84 8 3825 6838, **Export & Other countries** Munters Italy S.p.A., Chiusavecchia Phone +39 0183 52 11