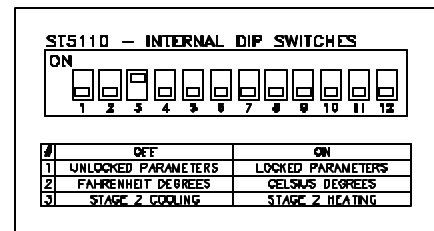
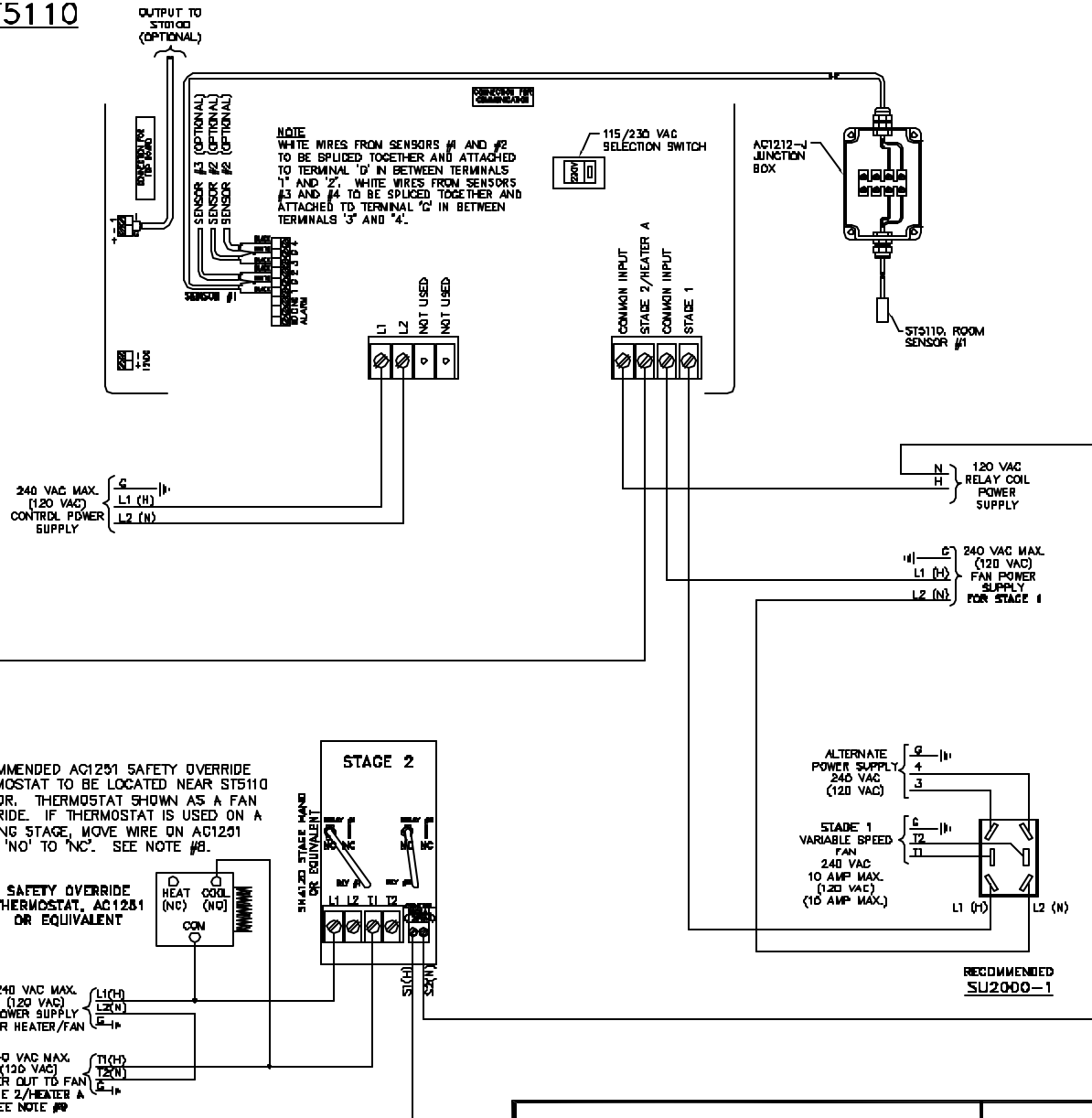


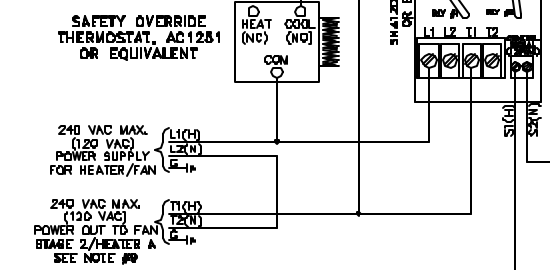
ST5110



NOTES

1. AN EXTERNAL RELAY WITH A MANUAL OVERRIDE SWITCH, SUCH AS THE STAGE HAND REFERRED TO IN THIS DIAGRAM, ARE REQUIRED FOR ALL FANS RANGING FROM 36" DIA. TO 60" DIA. OVERRIDE SWITCHES ALONE MAY BE USED ON 9" DIA. FANS THROUGH 24" FANS. EXTERNAL RELAYS ARE RECOMMENDED FOR ALL FANS.
2. PROVIDE OVERLOAD PROTECTION WITH AEROTECH, INC. SY2000 SERIES CIRCUIT BREAKERS OR EQUIVALENT.
3. INSTALLATION OF A GOOD QUALITY ALARM SYSTEM (BY OTHERS) IS STRONGLY ADVISED TO WARN OF POWER FAILURES AND HIGH/LOW TEMPERATURES.
4. COMPUTER EQUIPMENT AND SENSORS MUST NOT BE PRESSURE WASHED. SENSORS MUST BE REMOVED OR PROTECTED FROM HIGH PRESSURE WASHING. FAILURE TO DO SO MAY RESULT IN EQUIPMENT FAILURE AND MAY NOT BE COVERED UNDER WARRANTY.
5. PROVIDE SURGE PROTECTION (TO INCLUDE PROTECTION FROM LIGHTNING) FROM POWER SUPPLY TO CONTROL. CONSULT A CERTIFIED ELECTRICIAN FOR SPECIFIC RECOMMENDATIONS.
6. POWER SUPPLY = POWER INPUT, POWER OUT = POWER OUTPUT.
7. INFORMATION IN PARENTHESIS () REFERS TO 120 VAC OPERATION.
8. REFER TO STAGE 2 FOR TYPICAL THERMOSTAT SAFETY OVERRIDE WIRING. THE SAFETY OVERRIDE THERMOSTAT MAY BE PLACED ON ANY STAGE.
9. L1 AND L2 ARE SHOWN AS GRAPHICAL REPRESENTATION ONLY.

RECOMMENDED AG1251 SAFETY OVERRIDE THERMOSTAT TO BE LOCATED NEAR ST5110 SENSOR. THERMOSTAT SHOWN AS A FAN OVERRIDE. IF THERMOSTAT IS USED ON A HEATING STAGE, MOVE WIRE ON AG1251 FROM 'NO' TO 'NC'. SEE NOTE #8.



REV	DATE	DESCRIPTION	BY
1	JUL 01-17-01	REVISED AND UPDATED	MSB
2			
3			



Aerotech, Inc. 4215 Legion Drive, Mason, MI 48854-1036 USA
 Toll-free: 800-227-2376 - Local: 517-676-7070 - Fax: 517-676-7078

ST5110 AEROSPEED 1.1 WIRING DIAGRAM - SINGLE PHASE POWER

DATE	01-15-99	CHECKED BY	RLD	REP.	-
SCALE	NTS	DRAWN BY	DBB	JOB NO.	1455
This plan is the exclusive property of Aerotech, Inc. and is authorized for use by Aerotech representatives and customers only. ©Copyright 2001, Aerotech, Inc.				DRAWING NO.	WC-98-342A