

USER'S MANUAL and INSTALLATION GUIDE

TABLE OF CONTENTS

<u>Section</u>	
Parts list.....	2
Installation Instructions	2-3
Troubleshooting	3

THANK YOU

Thank you for purchasing an Aerotech Select Speed Control. Aerotech equipment is designed to be the highest performing, highest quality equipment you can buy. With the proper installation and maintenance it will provide many years of service.

PLEASE NOTE

To achieve maximum performance and insure long life from your Aerotech product it is essential that it be ***installed and maintained properly***. Please read all instructions carefully before beginning installation.

WARRANTY

For Warranty claims information see the "Warranty Claims and Return Policy" form QM1021 available from the Munters Corporation office at 1-800-227-2376 or by e-mail at aerotech@munters.com.

Conditions and Limitations:

- Products and Systems involved in a warranty claim under the "Warranty Claims and Return Policy" shall have been properly installed, maintained and operated under competent supervision, according to the instructions provided by Aerotech Ventilation Systems, Munters Corporation.
- Malfunction or failure resulting from misuse, abuse, negligence, alteration, accident or lack of proper installation or maintenance shall not be considered a defect under the Warranty.

PARTS LIST

Control Specifications:

Input Voltage: 220-240 VAC (SSC)
110-120VAC (SSC1)

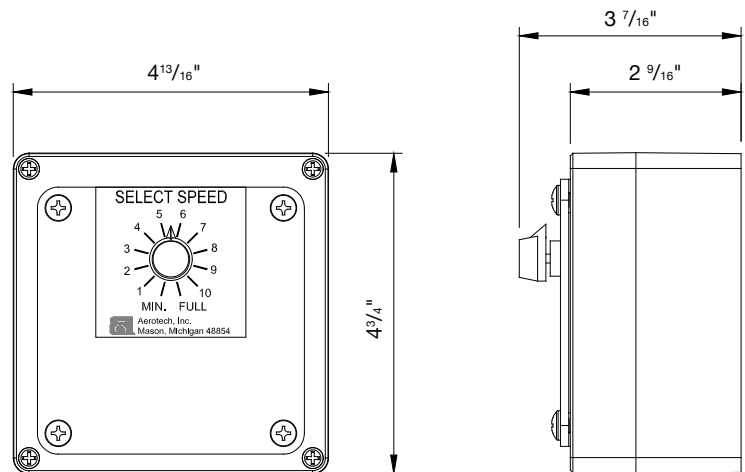
Phase: 1

Hertz: 50/60

Maximum Load: 7 Amp (SSC)
10 Amp (SSC1)

- (1) 36" Fan only

NOTE: The Select Speed Control is designed to provide manually adjusted speed control of a permanent split capacitor (PSC), variable speed fan motor. Do not connect to other types of loads.



WARNING: This is a semiconductor device which can be instantly damaged by short circuits. Confirm that all wiring connections are correct before applying power.

INSTALLATION INSTRUCTIONS



Step 1

Open enclosure and mount rear portion on a secure surface using (4) #6 x 1" screws (not provided) through holes in back of box. See **Figure 1**.

Step 2

Drill entrance hole(s) in bottom of box for wiring, never in top of box. Use watertight connectors or PVC conduit to seal all wiring entrances.

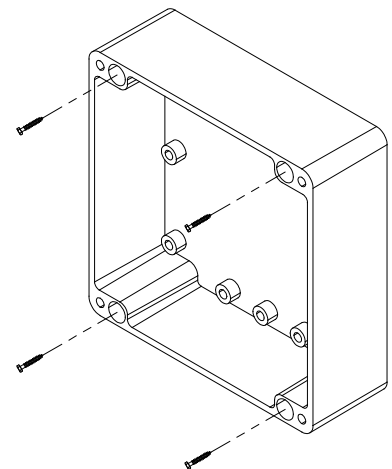
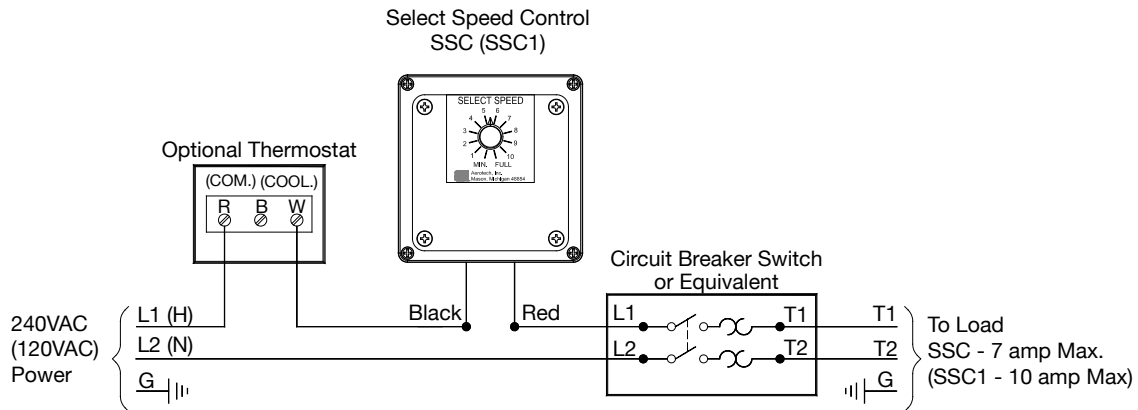


Figure 1

Step 3

Make electrical connections as shown. **See Figure 2.** All wiring should be installed in accordance with National, State and Local electrical codes. Only one 36" variable speed fan may be operated on each control.



KEY:

L1 = Line 1 H = Hot
 L2 = Line 2 N = Neutral
 G = Ground

NOTE: Information in parenthesis refers to 120VAC control.

Figure 2

Step 4

If continuous ventilation is important, as in animal housing, each room must have at least two electrical circuits for ventilation in case one circuit should fail. Put this control on one circuit and remaining ventilation fans on other circuits.

Step 5

Confirm wiring connections are correct, close box and apply power. Adjust control to give desired fan RPM. Do not run fan below its minimum safe speed:

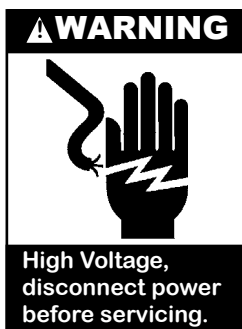
- 9" fans -- 700 RPM minimum
- 14-24" fans -- 500 RPM minimum
- 26" fans -- 550 RPM minimum
- 36" fans -- 320 RPM minimum

Step 6

Installation is complete. When control is in operation, periodically remove dust buildup from faceplate using a brush or cloth. Never use liquids to clean electrical controls.



TROUBLE SHOOTING



SYMPTOM	POSSIBLE CAUSE	CORRECTIVE ACTION
Fan not operating	1. Speed control set to low.	Increase idle speed setting.
	2. Blown fuse or open circuit breaker.	Replace fuse or reset breaker.
	3. Speed control defective.	Repair or replace control.
	4. Motor defective.	Repair or replace motor control.
Fan operating full speed	1. Speed control set to full.	Set to lower setting.
	2. Speed control defective.	Repair or replace control.