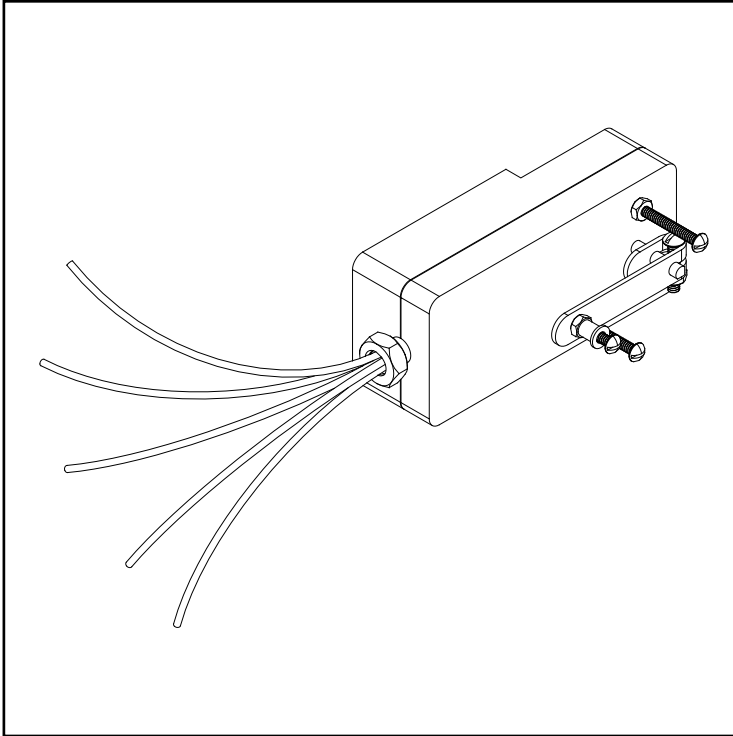


Motor Kit for "SW" Shutter

Instruction Manual



Motor Kit

for "SW" Shutter

Models: FA2685



Munters Drive Motor Kit for "SW" Shutters

Manual for use and Maintenance

Thank You:

Thank you for purchasing a Motor Kit for "SW" Shutter. Munters equipment is designed to be the highest performing, highest quality equipment you can buy. With the proper installation and maintenance it will provide many years of service.

Please Note:

To achieve maximum performance and insure long life from your Munters product it is essential that it be installed and maintained properly. Please read all instructions carefully before beginning installation.

Warranty:

For Warranty claims information see the "Warranty Claims and Return Policy" form QM1021 available from the [Munters Corporation office at 1-800-227-2376](http://www.munters.com) or by e-mail at aghort.info@munters.com.

Conditions and Limitations:

- Products and Systems involved in a warranty claim under the "Warranty Claims and Return Policy" shall have been properly installed, maintained and operated under competent supervision, according to the instructions provided by Munters Corporation.
- Malfunction or failure resulting from misuse, abuse, negligence, alteration, accident or lack of proper installation or maintenance shall not be considered a defect under the Warranty.

Index

Chapters	Page
1. Unpacking the Equipment	4
1.1 Parts List	
1.2 Dimensions	
2. Installation Instructions	5
2.1 Install	
2.2 Install for Double Panel	7
2.3 Electrical Wiring	9

Unpacking the Equipment

1.

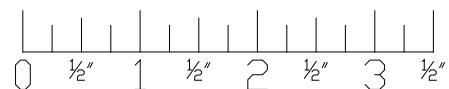
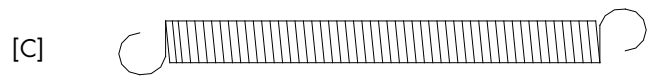
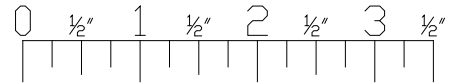
1.1 Parts List

Each FA2685 Motor Kit includes:

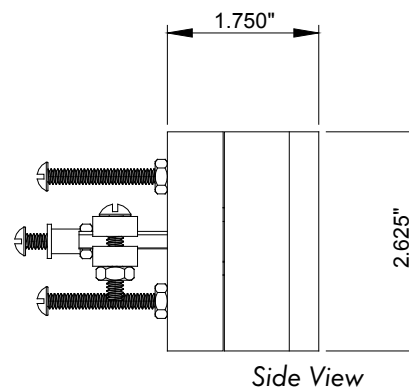
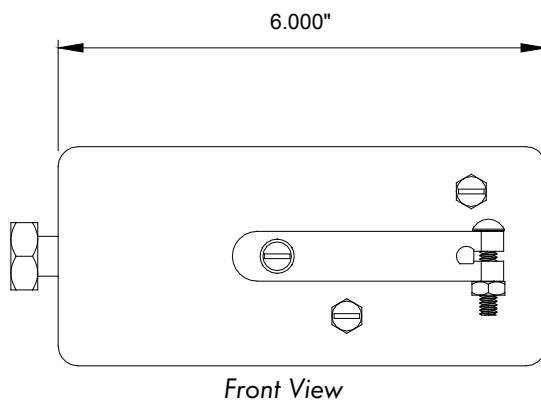
- 1 - Motor (FA2635), 120/240 VAC, 60Hz
- 1 - Crank Arm w/ Bushing and Screw
- 1 - Hardware package (HP1207)

HP1207 - Hardware package

- [A] 1 - Small Motor Mounting Plate
- [B] 1 - Large Motor Mounting Plate
- [C] 2 - Return Springs
- [D] 8 - 'S'-Hooks, ZP
- [E] 2 - Flanged Bushings, Nylon
- [F] 1 - Chain, 100"L., Twisted Link, ZP
- [G] 3 - #8 x 3/4" Tapping Screws, ZP
- [H] 4 - #10 - 24 x 1/4" Machine Screws, ZP
- [J] 2 - #10 - 24 x 1" Machine Screws, ZP
- [K] 4 - #10 - 24 Hex Nuts, ZP



1.2 Dimensions



MOTOR with CRANK ARM

Installation Instructions

2.

2.1 INSTALL

If installing a Single Panel Shutter proceed to Step 1. If installing a Double Panel Shutter go to [Page 7, Step 9](#).

Step 1

Working from the inlet side of the shutter, drill an $\frac{1}{8}$ " dia. hole $1\frac{1}{4}$ " left of Connecting Bar and $\frac{3}{16}$ " above bottom edge of shutter frame. [See Figure 1](#).

Step 2

Install (1) Bushing [E] on (1) 1" Screw [J] with (1) Nut [K]. Insert this assembly in hole approximately 6" down from top of Connecting Bar and secure with (1) Nut [K]. [See Figures 2 and 3](#).

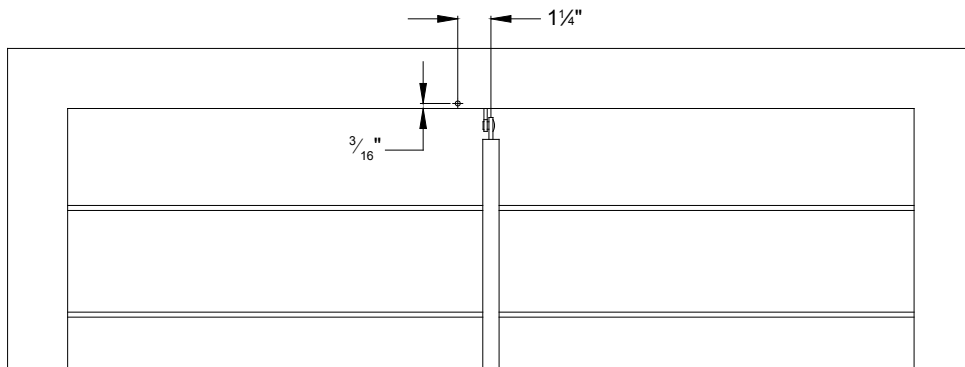


Figure 1

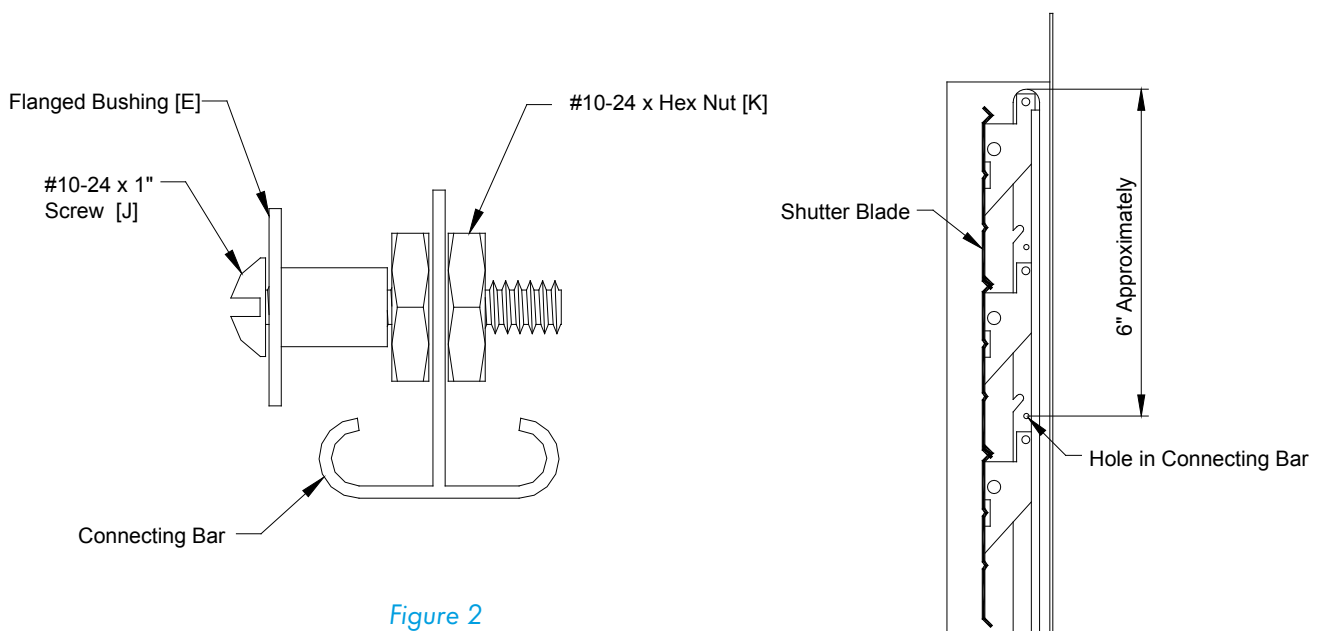


Figure 2

Figure 3

Step 3

Fold (1) Spring [C] in half and hook end loops on (1) 'S' Hook [D] and pinch hook closed. At center of folded Spring [C] hook several loops of spring on a second 'S' Hook [D] and pinch closed. See Figure 4. Connect hook on one end of Spring Assembly through 1/8" diameter hole in frame and stretch spring to connect other hook over Bushing [E]. See Figure 5.

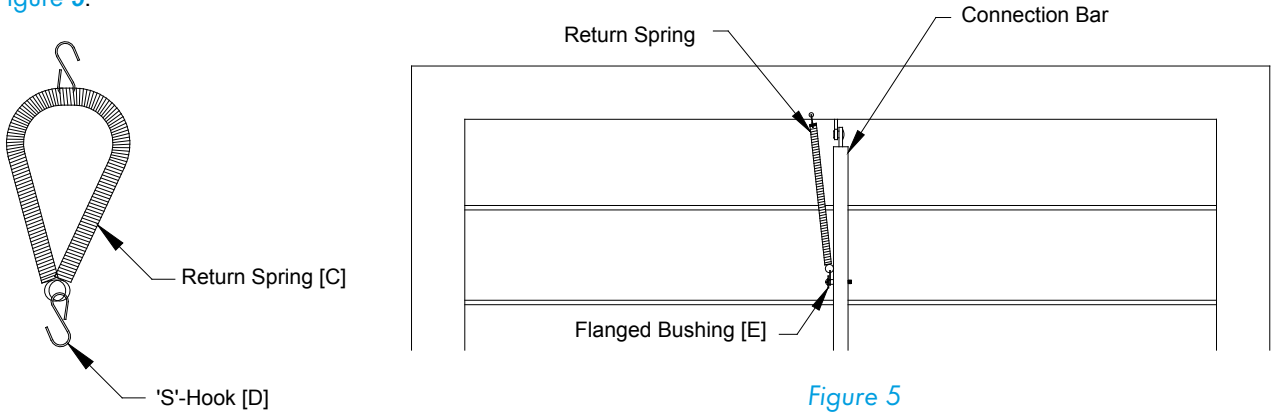


Figure 4

Figure 5

Step 4

Fasten Small Motor Mounting Plate [A] to Motor using (4) 1/4" Screw [H]. See Figure 6.

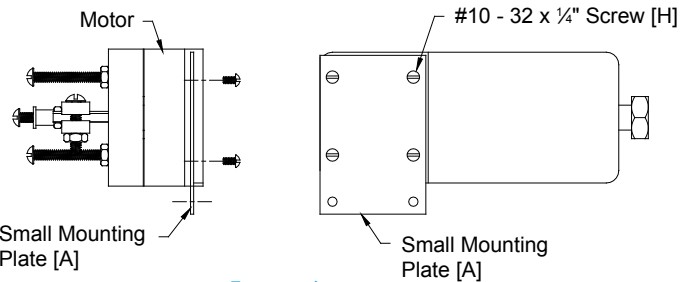


Figure 6

Step 5

Position Mounting Plate on bottom shutter frame with holes 3/16" below edge and with the left hole in line with Connecting Bar. Mark and drill two 1/8" dia. holes in frame. Fasten Mounting Plate with Motor to frame using (2) Tapping Screw [G]. See Figure 7.

Step 6

Install (1) Bushing [E] on (1) 1" Screw [J] with (1) Nut [K]. Insert this assembly in hole approximately 7" above motor in Connecting Bar and secure with (1) Nut [K]. See Figures 2 and 8.

Step 7

Cut a 9" long piece of Chain [F] and connect between Bushing [E] on the Connecting Bar and the Crank Arm using (1) 'S' Hook [D] on each end. See Figure 8. Rotate the Crank Arm counterclock wise to the stop screw and adjust the Lead Chain until the Shutter Blades are fully open.

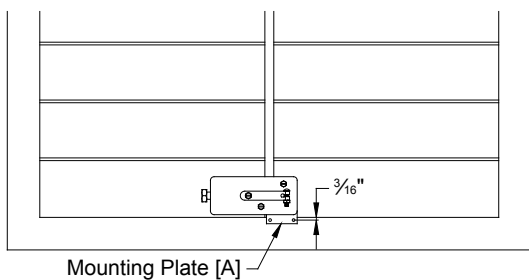


Figure 7

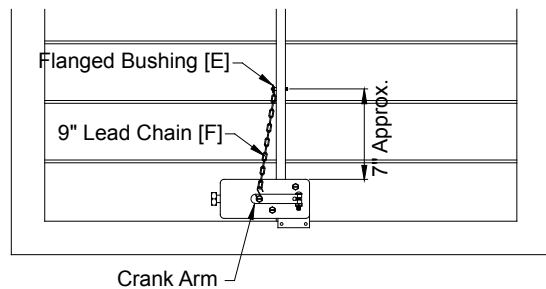


Figure 8

Step 8

Installation is now complete. Proceed to Electrical Wiring Section. See page 9.

2.2 INSTALL for Double Panel Shutter

Step 9

Working from the inlet side of the shutter, drill two $\frac{1}{8}$ " diameter holes $\frac{3}{16}$ " above bottom edge of shutter frame and $1\frac{1}{4}$ " to the inside of each Connecting Bar. See Figure 9.

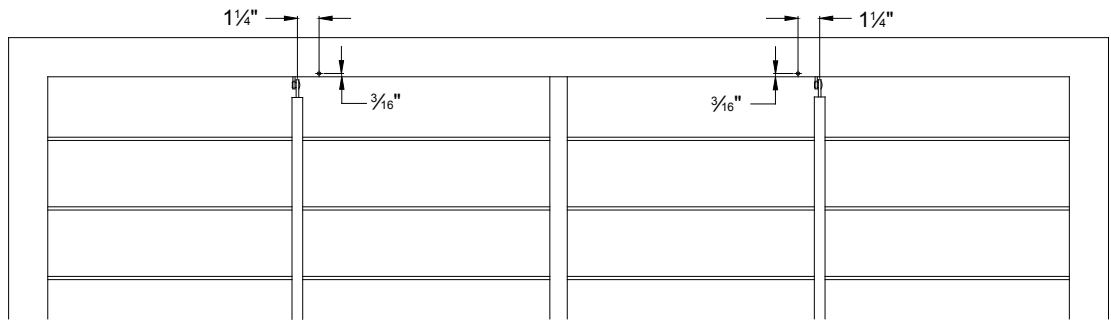


Figure 9

Step 10

Install (1) Bushing [E] on (1) 1" Screw [J] with Nut [K]. Insert this assembly in hole approximately 6" down from top of each Connecting Bar and secure with (1) Nut [K]. See Figures 10 and 11.

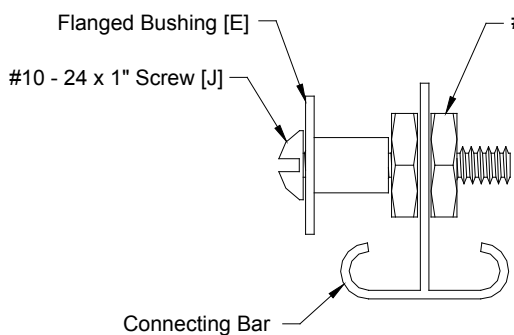


Figure 10

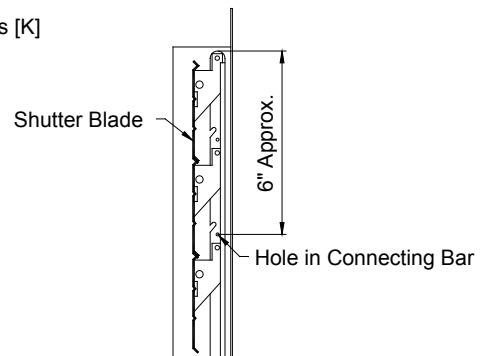


Figure 11

Step 11

Hook one end loop of Spring [C] on (1) 'S' Hook [D] and pinch hook closed. Hook other end loop of same Spring [C] on a second 'S' Hook [D] and pinch closed. Connect hook on one end of spring assembly through $\frac{1}{8}$ " diameter hole in frame and stretch spring to connect other hook over Bushing [E]. Repeat for second Spring [C]. See Figure 12.

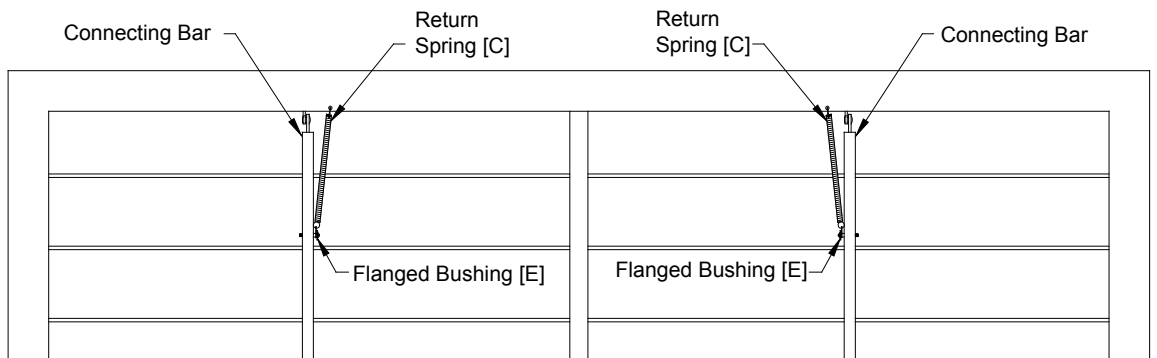


Figure 12

Step 12

Fasten Large Motor Mounting Plate [B] to Motor using (4) 1/4" Screw [H]. See Figure 13.

Step 13

Position Mounting Plate on bottom shutter frame with holes 3/16" below edge and with the left hole 3/16" right of left edge of center support. Mark and drill three 1/8" diameter holes in frame. Fasten Mounting Plate with Motor to frame using (3) Tapping Screw [G]. See Figure 14.

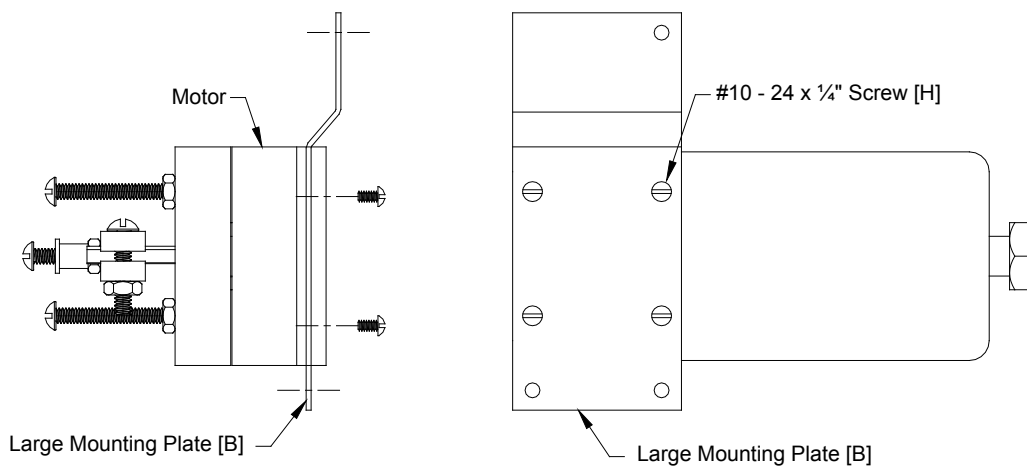


Figure 13

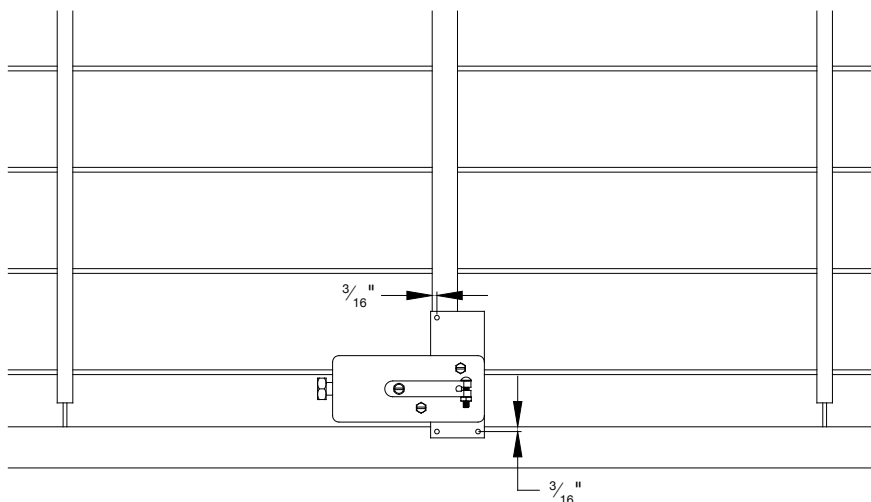


Figure 14

Step 14

Cut a 12" long piece of Chain [F] set aside. Connect remaining Chain [F] to the Flanged Bushing in each Connecting Bar using (1) 'S' Hook [D] on each end. This Yoke Chain should create a 'V' with the center approximately 7" above motor. See Figure 15.

Step 15

Connect 12" long Chain [F] between the Crank Arm and the center of the Yoke Chain using (1) 'S' Hook [D] on each end. See Figure 15. Rotate the Crank Arm counterclockwise to the stop screw and adjust the Lead Chain until the Shutter Blades are fully open.

Step 16

Installation is now complete. Proceed to Electrical Wiring Section.

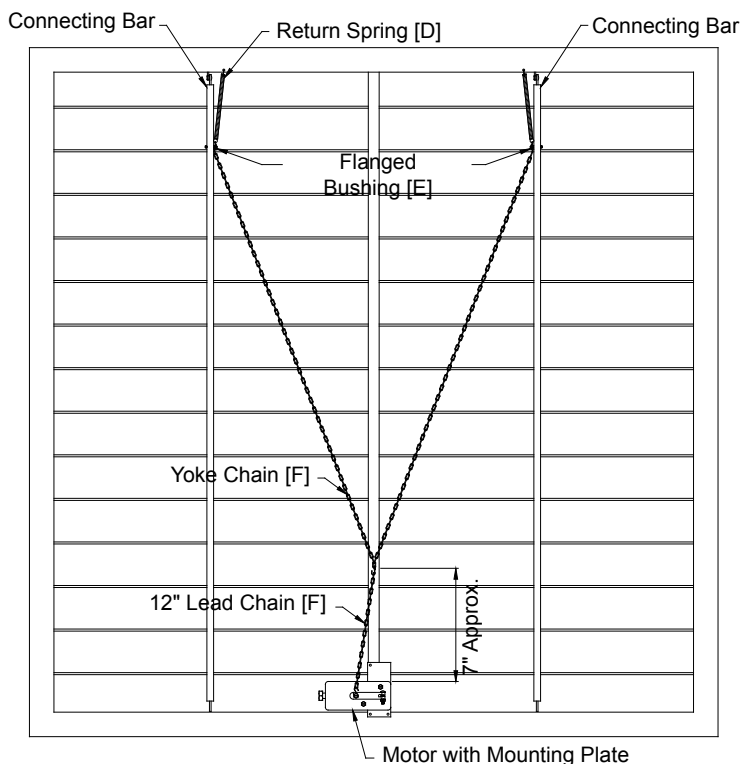
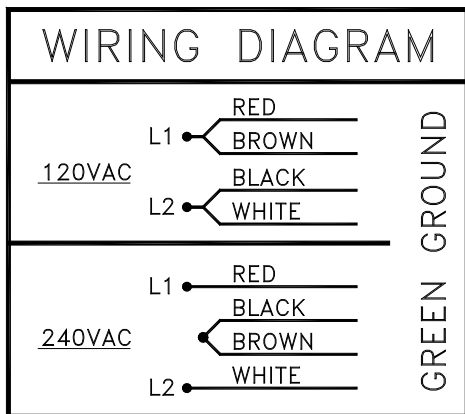


Figure 15

2.3 Electrical Wiring



Motor Kit for "SW" Shutter is developed and produced by Munters Corporation, Mason, Michigan U.S.A. 1-800-227-2376



Munters Europe AB, Isafjordsgatan 1, P.O. Box 1150, SE-164 26 Kista, Sweden. Phone +46 08 626 63 00, Fax +46 8 754 56 66.

Munters Corporation 4215 Legion Drive Mason, MI 48854-1036 U.S.A. Phone +1 800-227-2376, Fax +1 517-676-7078

www.munters.us

Australia Munters Pty Limited, Phone +61 2 6025 6422, **Brazil** Munters Brasil Industria e Comercio Ltda, Phone +55 41 3317 5050, **Canada/US** Munters Corporation Mason, MI Phone +1 517 676 7070, **China** Munters Air Treatment Equipment (Beijing) Co. Ltd, Phone +86 10 80 481 121, **Denmark** Munters A/S, Phone +45 9862 3311, **India** Munters India, Phone +91 20 3052 2520, **Indonesia** Munters, Phone +62 818 739 235, **Italy** Munters Italy S.p.A., Chiusavecchia, Phone +39 0183 52 11, **Japan** Munters K.K., Phone +81 3 5970 0021, **Korea** Munters Korea Co. Ltd., Phone +82 2 761 8701, **Mexico** Munters Mexico, Phone +52 818 262 54 00, **Russia** Munters AB, Phone +7 812 448 5740, **Singapore** Munters Pte Ltd., Phone +65 744 6828, **South Africa and Sub-Sahara Countries** Munters (Pty) Ltd., Phone +27 11 997 2000, **Spain** Munters Spain S.A., Phone +34 91 640 09 02, **Sweden** Munters AB, Phone +46 8 626 63 00, **Thailand** Munters Co. Ltd., Phone +66 2 642 2670, **Turkey** Munters Form Endüstri Sistemleri A.Ş, Phone +90 322 231 1338, **USA** Munters Corporation Mason, MI Phone +1 517 676 7070, **Vietnam** Munters Vietnam, Phone +84 8 3825 6838, **Export & Other countries** Munters Italy S.p.A., Chiusavecchia Phone +39 0183 52 11