

Installation manual

Wall Inlet

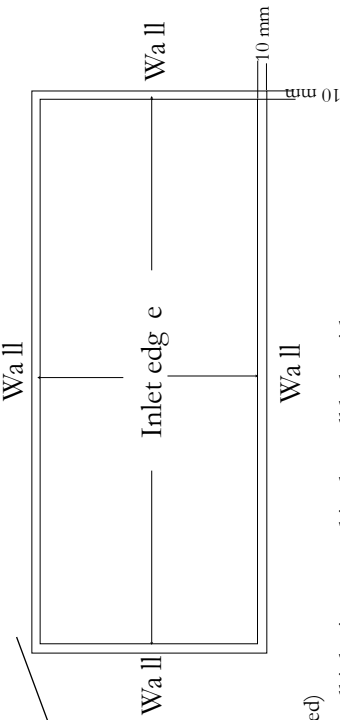
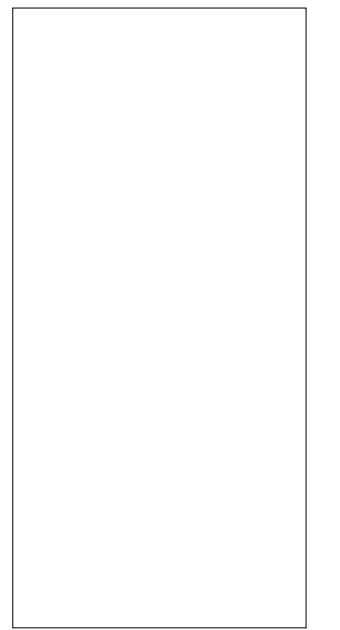


Wall inlet IW

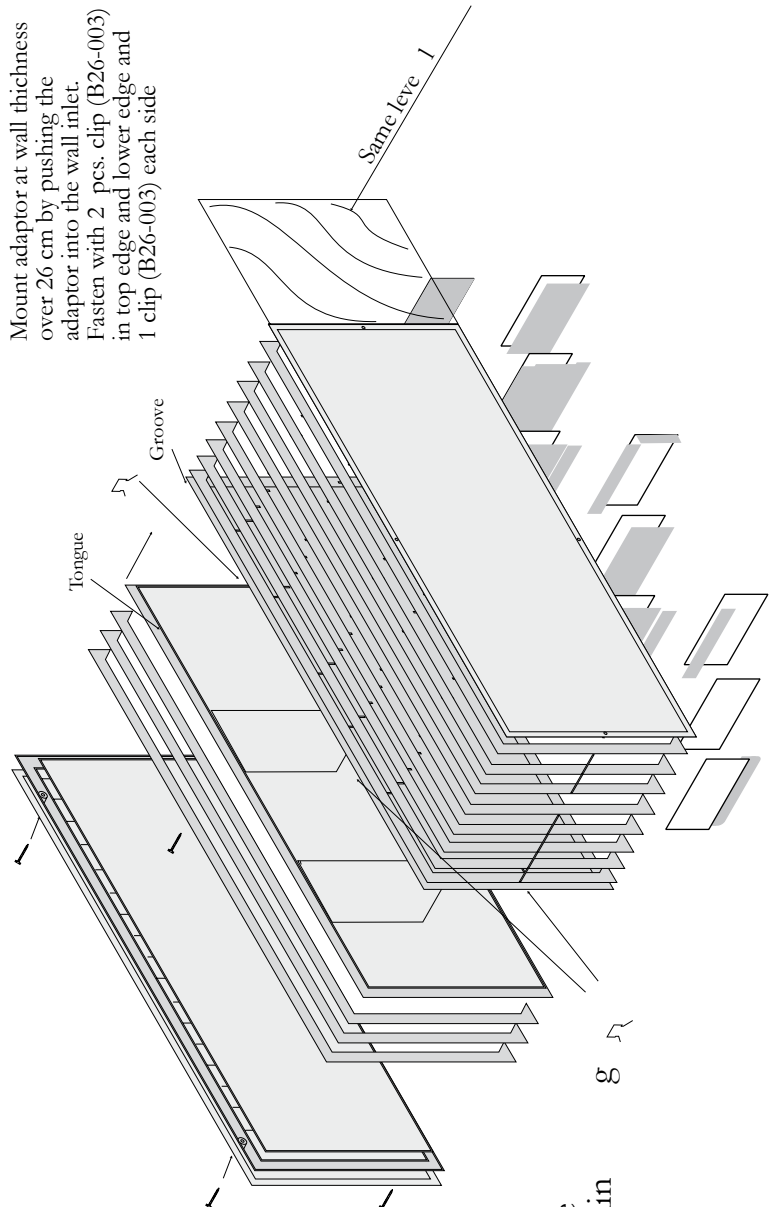
Munters reserves the right to make alterations to specifications, quantities, dimensions etc. for production or other reasons subsequent to publication.

The information contained herein has been prepared by qualified experts within Munters. While we believe the information is accurate and complete, we make no warranty or representation for any particular purpose. The information is offered in good faith and with the understanding that any use of the units or accessories in breach of the directions and warnings in this document is at the sole discretion and risk of the user.

Assembly instruction - Wall inlet IW



1. The wall inlet is centered in the wall hole with spacer
2. The wall inlet "must" be flush with the inside wall. The inside is not frame mounted.
3. Fit the wall inlet temporarily with corner wedges.
4. Fasten the wall inlet in the corners with polyurethane foam
5. Stuff with insulation material between the wall and the inlet before jointing with silicone
6. Screw the net onto the wall inlet with 4 pcs. P T screws 50x12 (H71-006)

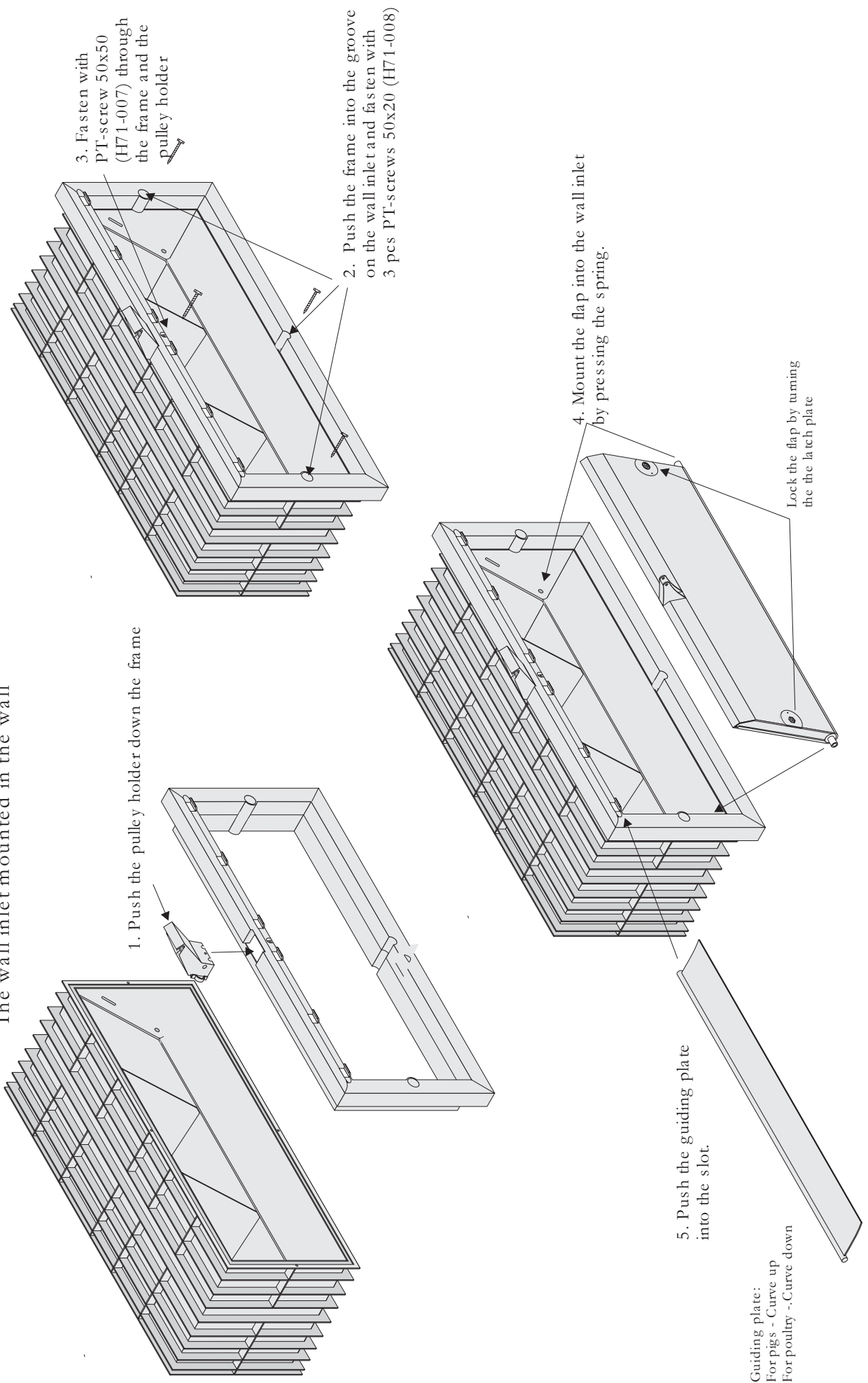


Mount adaptor at wall thickness over 26 cm by pushing the adaptor into the wall inlet. Fasten with 2 pcs. clip (B26-003) in top edge and lower edge and 1 clip (B26-003) each side

Important!
Avoid mortar etc. at the edges of wall inlet, because of problems when assembling the wall inlet.

Assembly instruction - Wall inlet IW

The wall inlet mounted in the wall



Mounting the wire pulling system onto the wall inlets

The wall inlets must be closed when mounting the wire pulling system

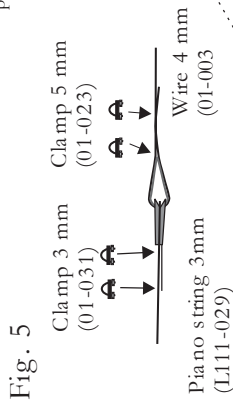
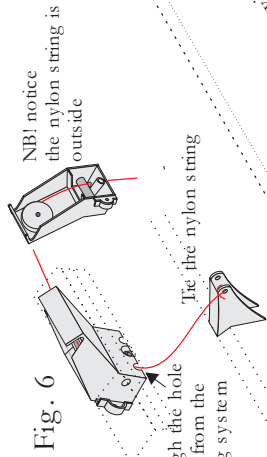


Fig. 4
Put the wire through a snap hook and fasten with 2 clamps.
Hang the weight in the snap hook.

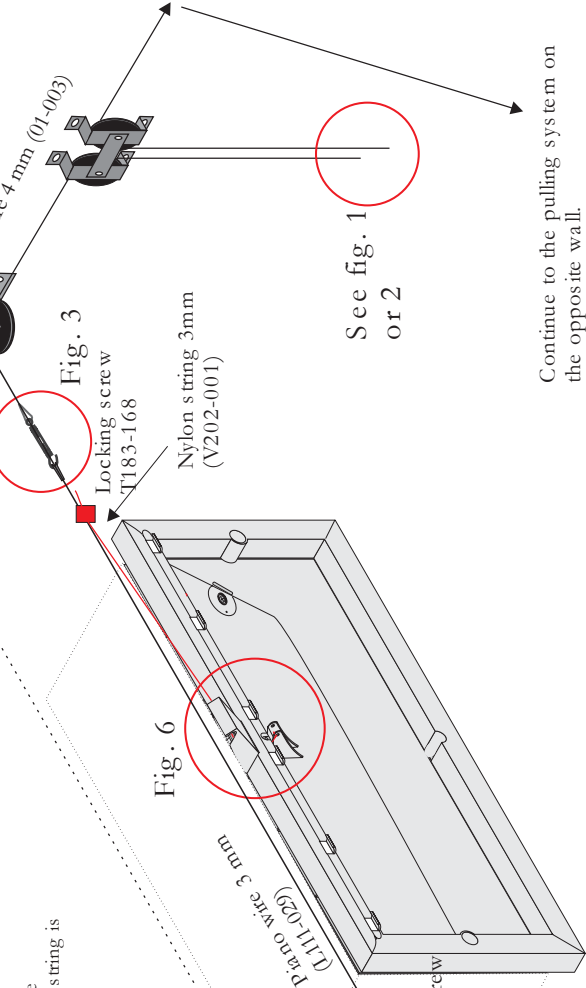
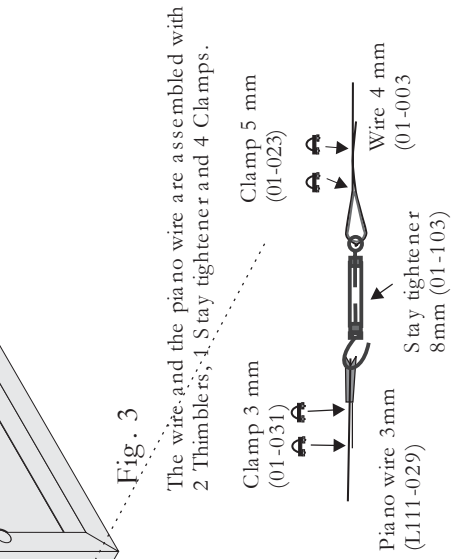
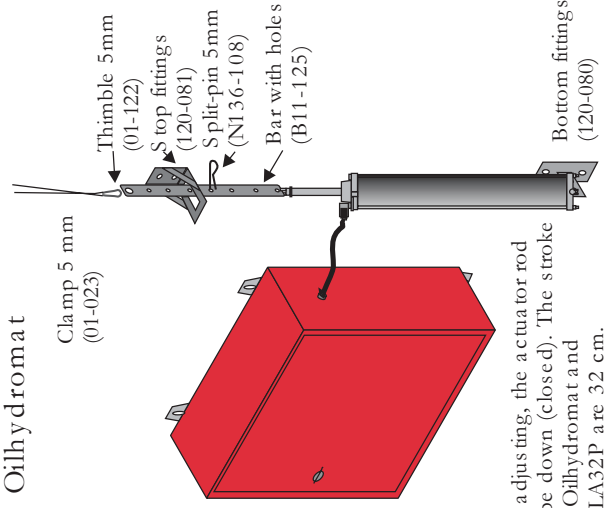
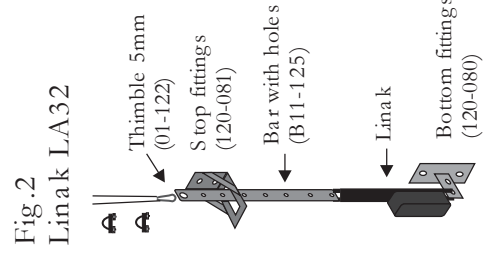


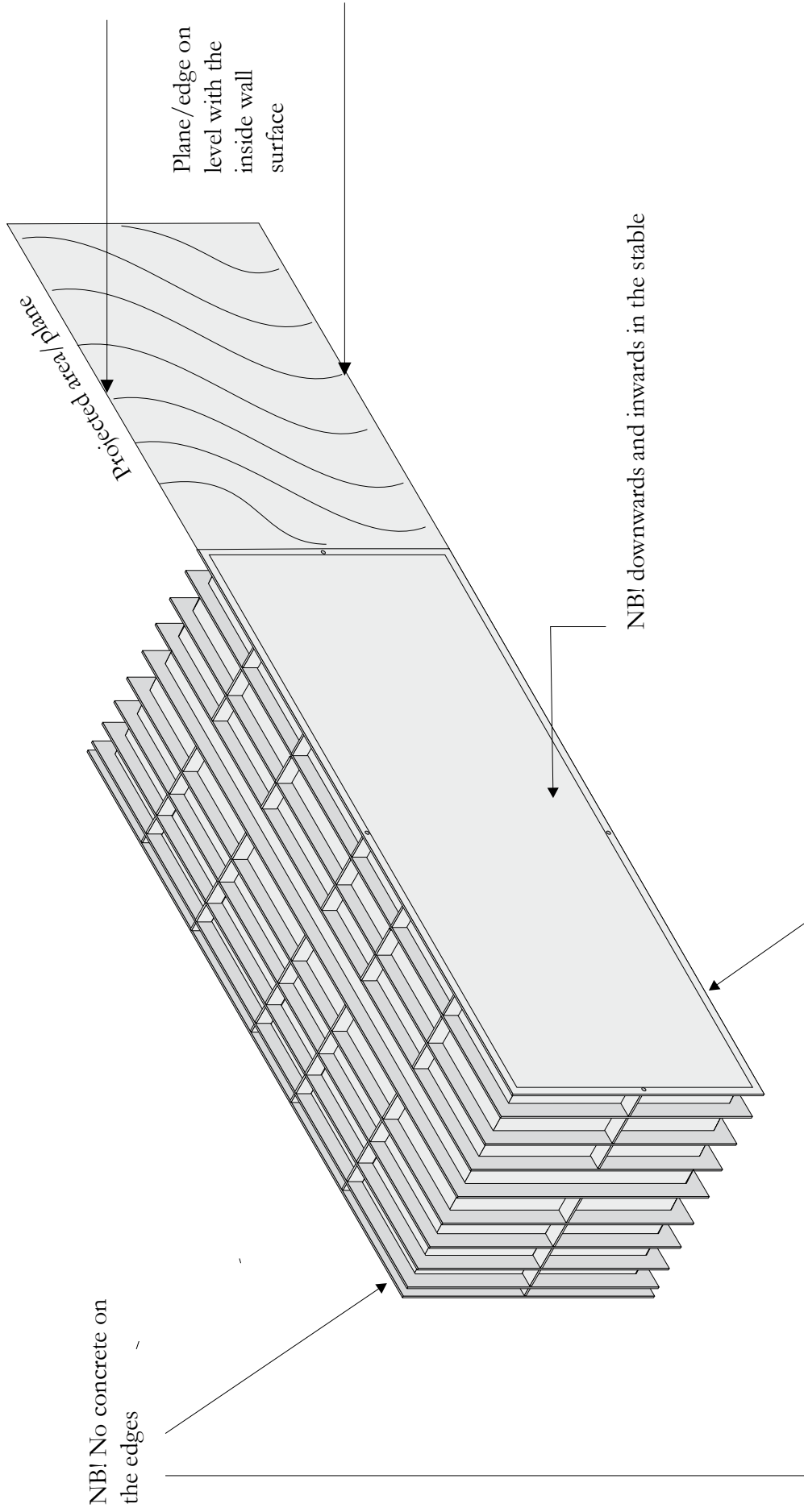
Fig. 1 Oilhydromat



When adjusting, the actuator rod must be down (closed). The stroke of the Oilhydromat and Linak LA32P are 32 cm.

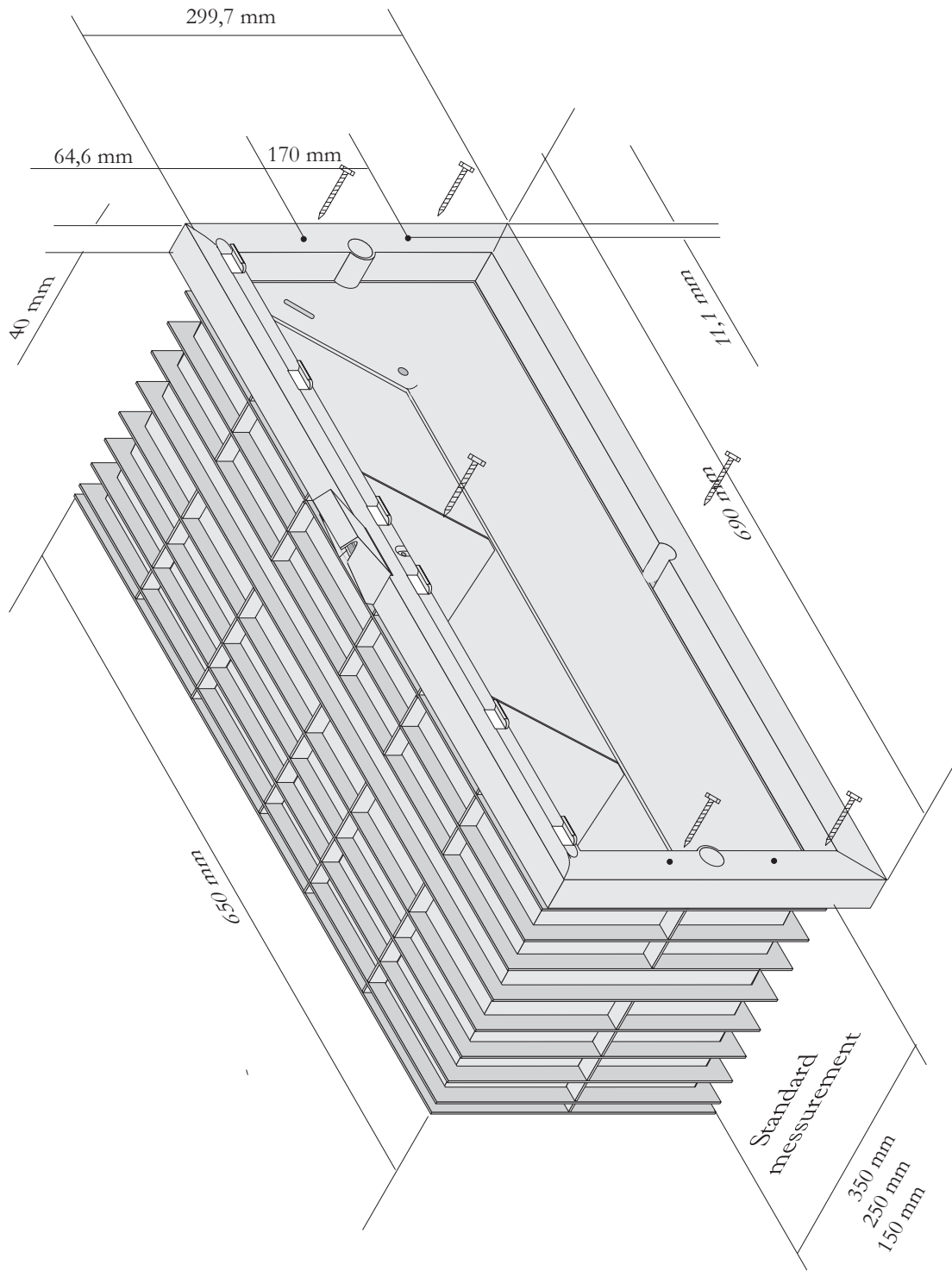


Concreting the Wall Inlet IW

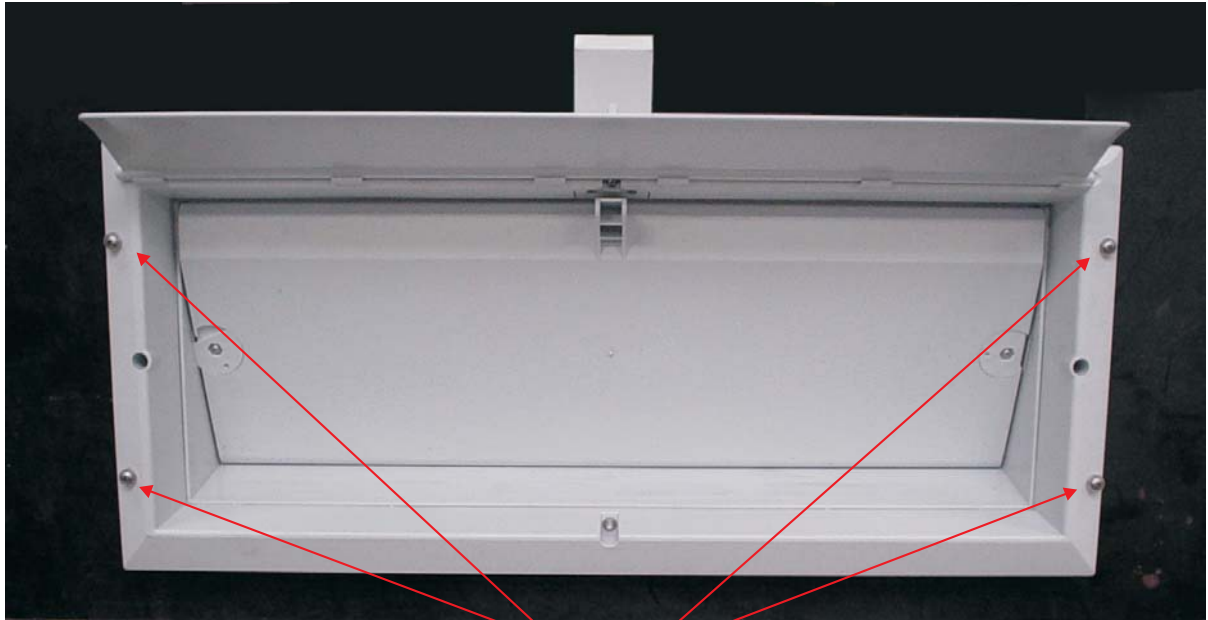


Wall inlet mounted on the wall with screws

Standard measurement



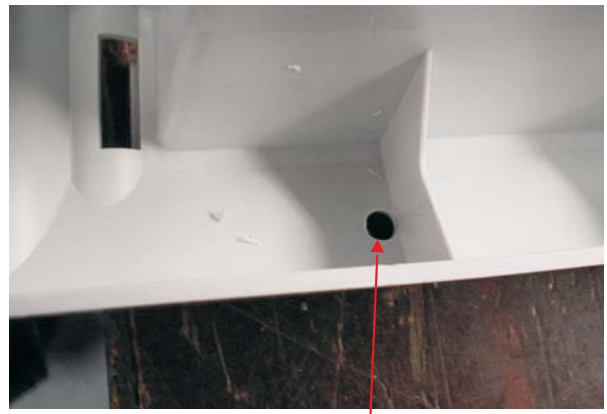
Wall inlet mounted on the wall with screws



The wall inlet is mounted on the wall through the flange with 4 screws



Screw through the spacer, the flange into the wall



The screw holes in the flange are drilled at the strengthening

IW Wall inlet is developed and produced by Munters Turbovent A/S, Denmark



Munters Europe AB, HumiCool Division, Isafjordsgatan 1, PO Box 1150, 164 26 Kista, Sweden.

Phone +46 08 626 63 00, Fax +46 8 754 56 66. www.munters.com

Munters Turbovent Agro AS, Nordvestvej 3, DK-9600 Aars -

Phone +45 9862 3311, Fax +45 9862 1354. www.turbovent.dk

Australia Munters Pty Limited, Phone +61 2 6025 6422, **Brazil** Munters Brasil Industria e Comercio Ltda, Phone +55 11 5054 0150, **Canada** Munters Incorporated, Phone + 1 905 858 5894, **China** Munters Air Treatment Equipment (Beijing) Co., Ltd., Phone +86 10 80 481 121, **Denmark** Munters Turbovent, Phone +45 98623311, **Finland** Munters Oy, Phone +358 9 83 86 030, **France** Munters France S.A., Phone +33 1 34 11 57 50, **Germany** Munters Euroform GmbH, Phone +49 241 89 0 00, **India** Munters India, Phone +91 20 30522520, **Indonesia** Munters Phone +62 21 9105446-7, **Italy** Munters Italy S.p.A., **Chiusavecchia** Phone +39 0183-52 11, Munters Italy S.p.A., **Mondovi** Phone +39 0174 560 600 **Japan** Munters K.K., Phone +81 3 5970 0021, **Kingdom of Saudi Arabia and Middle East** Hawa Munters, Phone +966 1 477 15 14, **Korea** Munters Korea Co., Ltd, Phone +82 2 761 8701, **Mexico** Munters Mexico Phone +52 722 270 40 30, **Russia** Munters Europe AB, Phone +7 812 4485740, **Singapore** Munters Pte Ltd +65 744 6828 **South Africa and Sub-Sahara Countries** Munters (Pty) Ltd, Phone +27 11 971 9700, **Spain** Munters Spain S.A., Phone +34 91-640 09 02, **Sweden** Munters Europe AB, Phone +46 8 626 63 00, **Thailand** Munters (Thailand) Co. Ltd., Phone +66 2 645 2708-12, **United Kingdom** Munters Ltd, Phone +44 845 644 3980, **USA** Munters Corporation **Fort Myers**, Phone +1 239 936 1555, Munters Corporation **Mason**, Phone +1 888 335 0100, **Vietnam** Munters Vietnam Phone +84 8 825 6838 **Export & Other countries** Munters Europe AB, Phone +46 8 626 63 00

Munters reserves the right to make alterations to specifications, quantities, etc., for production or other reasons, subsequent to publication.

© Munters AB, 2008