

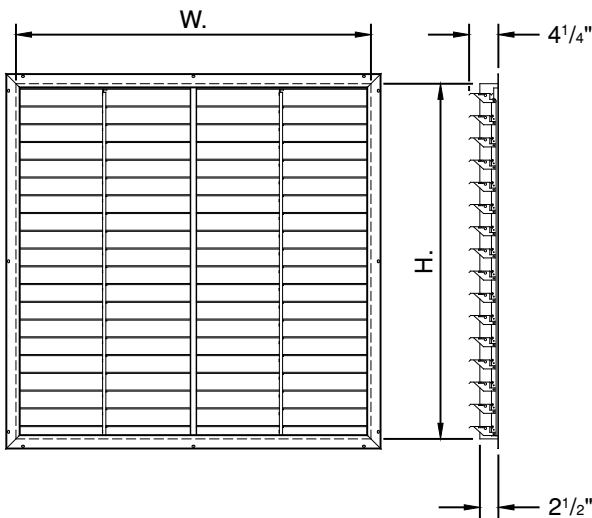
Aluminum Shutters

Application:

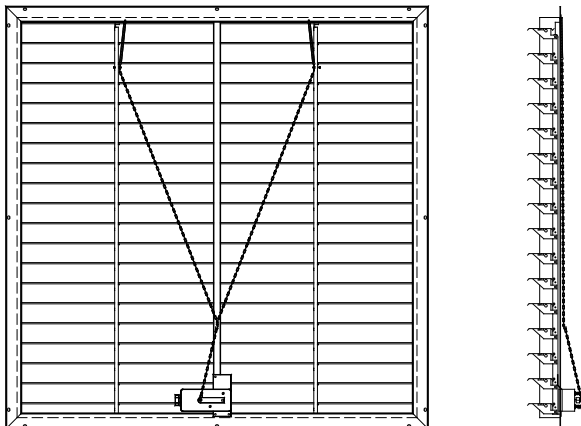
The SW series shutters are designed for two types of applications. First, for vertical operation as a fan intake. When used for fan intake, the shutters open when the fan is on and will close when the fan turns off. The SW shutters can also be used as vertical or horizontal operation as an air inlet and can be motor operated.



SW Shutter



SW Air Inlet with optional Motor Kit (FA2685 - 120V / 240V)



Technical Specifications

SW Series Features:

- Ready-to-install with no assembly required.
- Aluminum shutters offer a visually attractive appearance and are corrosion resistant.
- Shutters can be mounted to fans or mounted in building walls as motor operated air inlets.
- Mounting holes in frame.

Standard Construction:

- Frame: aluminum, 0.077"t
- Blade: aluminum, 0.020"t
- Pivot Pins: aluminum, 0.156" dia.
- Fasteners: stainless steel
- Linkage: plastic pins with tie bar
- Mounting Flange: 1 1/2"W. on all sides

Dimensional Data:

	Catalog No.	Shutter Size W. x H.	Wall Opening W. x H.	Net Free Opening (ft ²)	CFM ¹
Single Panel	SW15	15" x 15"	15 1/4" x 15 1/2"	1.15	920
	SW18	18" x 18"	18 1/4" x 18 1/2"	1.75	1,400
	SW21	21" x 21"	21 1/4" x 21 1/2"	2.45	2,000
	SW24	24" x 24"	24 1/4" x 24 1/2"	3.25	2,600
	SW27	27" x 27"	27 1/4" x 27 1/2"	4.20	3,400
	SW30	30" x 30"	30 1/4" x 30 1/2"	5.20	4,200
	SW33	33" x 33"	33 1/4" x 33 1/2"	6.35	5,100
Double Panel	SW36 ²	36" x 36"	36 1/4" x 36 1/2"	7.35	5,900
	SW39 ³	36" x 36"	39 1/4" x 39 1/2"	8.70	7,000
	SW42	42" x 42"	42 1/4" x 42 1/2"	10.15	8,100
	SW45	45" x 45"	45 1/4" x 45 1/2"	11.70	9,400
	SW48 ²	48" x 48"	48 1/4" x 48 1/2"	13.50	10,800
	SW51 ⁴	51" x 51"	51 1/4" x 51 1/2"	15.30	12,200
	SW54 ⁵	54" x 54"	54 1/4" x 54 1/2"	17.20	13,800
	SW55-56	55" x 55 3/4"	55 1/8" x 56"	18.20	14,600
	SW60	60" x 60"	60 1/4" x 60 1/2"	21.50	17,200
	SW72 ⁶	72 1/16" x 72"	72 5/16" x 72 1/4"	30.70	24,600

¹CFM (Cubic feet per minute) numbers are to be used when SW shutters are used as an air inlet either manually or motor operated.

²SW36 and SW48 can not be used with galvanized or fiberglass housing.

³SW39 used with 36" fans with galvanized tilt housing.

⁴SW51 used with 48" fans with galvanized tilt housing before 1/89.

⁵SW54 used with 48" fans with galvanized tilt housing after 1/89.

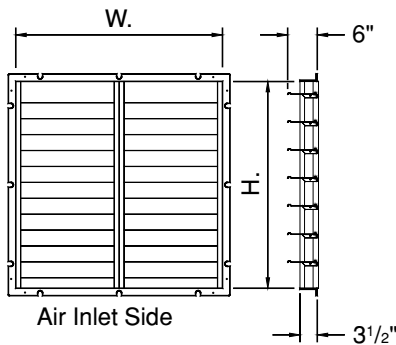
⁶SW72 is a 3 panel shutter and requires 2 motor kits.

Aluminum Shutters

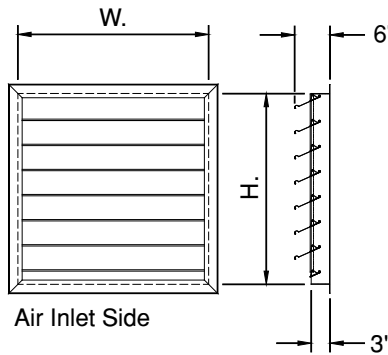
Application:

The AS and AZ series shutters are designed for vertical operation as either a fan intake or exhaust shutters. The shutters open when the fan is on and will close when the fan turns off.

AS Shutter



AZ Shutter



Dimensional Data:

Catalog No.	Shutter Size W. x H.	Wall Opening W. x H.	Net Free Opening (ft ²)	Used with Fan	Equivalent To
AS18	24 ¹ / ₂ " x 24 ¹ / ₂ "	24 ³ / ₄ " x 24 ³ / ₄ "	3.50	DD or wood frame	PS18
AS24	30 ¹ / ₂ " x 30 ¹ / ₂ "	30 ³ / ₄ " x 30 ³ / ₄ "	5.50	DD or wood frame	PS24
AS36	41 ⁷ / ₈ " x 41 ⁷ / ₈ "	42" x 42"	10.10	all 36" after 1/98	PZ36
AS42	47 ⁷ / ₈ " x 47 ⁷ / ₈ "	48 ¹ / ₈ " x 48 ¹ / ₈ "	13.95	42" Classic	PZ42
AS48	53 ⁷ / ₈ " x 53 ⁷ / ₈ "	54" x 54"	17.20	all 48" after 1/98	PZ48
AZ0914	16 ⁵ / ₈ " x 16 ⁵ / ₈ "	16 ⁷ / ₈ " x 16 ⁷ / ₈ "	1.50	14" Adv.	PZ0914
AZ1618	21 ⁵ / ₈ " x 21 ⁵ / ₈ "	21 ⁷ / ₈ " x 21 ⁷ / ₈ "	2.65	16", 18" Adv.	PZ1618
AZ24	27 ⁵ / ₈ " x 27 ⁵ / ₈ "	27 ⁷ / ₈ " x 27 ⁷ / ₈ "	4.45	24" Adv.	PZ24

Technical Specifications

AS, AZ Series Features:

- Ready-to-install with no assembly required.
- Aluminum shutters offer a visually attractive appearance and are corrosion resistant.
- Shutters may not be motorized.

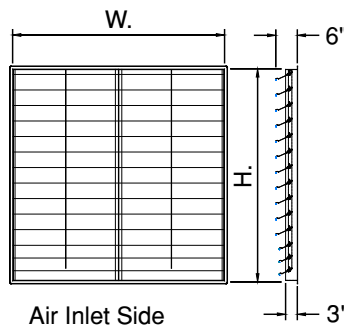
Standard Construction:

- Frame: aluminum, 0.050"t
- Blade: aluminum, 0.0250"t
- Pivot Pins: stainless steel, ³/₁₆" dia.
- Tie Bars: aluminum, 0.040"t
- Bushings: acetal
- Mounting Flange: 1¹/₂"W. on all sides

Galvanized Shutters

Application:

The GS shutters are designed for vertical operation as either a fan intake or exhaust shutters. The shutters open when the fan is on and will close when the fan turns off.



Dimensional Data:

Catalog No.	Shutter Size W. x H.	Wall Opening W. x H.	Net Free Opening (ft ²)	Used with Fan
GS48	54" x 54"	54 ¹ / ₄ " x 54 ¹ / ₂ "	16.80	WF50
GS54	55 ¹ / ₂ " x 60"	55 ³ / ₄ " x 60 ¹ / ₄ "	19.20	WF54

GS Series Features:

- Ready-to-install with no assembly required.
- Galvanized frame with aluminum blades.
- Shutters may not be motorized.

Standard Construction:

- Frame: 20 ga. galvanized steel
- Blade: aluminum, 0.015"t
- Blade Reinforcement: 20 ga. galvanized steel
- Blade Seals: felt
- Tie Bars: 14 ga. galvanized steel
- Pivot Pins: stainless steel, ³/₁₆" dia.
- Bushings: stainless steel
- Mounting Flange: 1"W on all sides

Plastic Shutters

Application:

These plastic shutters are designed for vertical operation as either a fan intake or exhaust shutters. The shutters open when the fan is on and will close when the fan turns off.

Dimensional Data:

Catalog No.	Shutter Size W. x H.	Wall Opening W. x H.	Net Free Opening (ft ²)	Used with Fan
PS14	19 ¹ / ₂ " x 19 ¹ / ₂ "	19 ³ / ₄ " x 19 ³ / ₄ "	1.85	14" Cls.
PS16	22 ¹ / ₂ " x 22 ¹ / ₂ "	22 ³ / ₄ " x 22 ³ / ₄ "	2.55	16" Cls.
PS18	24 ¹ / ₂ " x 24 ¹ / ₂ "	24 ³ / ₄ " x 24 ³ / ₄ "	3.05	18" Cls.
PS24	30 ¹ / ₂ " x 30 ¹ / ₂ "	30 ³ / ₄ " x 30 ³ / ₄ "	4.95	24" Cls.
PS36	39" x 39"	39 ¹ / ₄ " x 39 ¹ / ₄ "	8.05	36" Gr. before 1/98
PS48	51" x 51"	51 ¹ / ₄ " x 51 ¹ / ₄ "	14.35	48" Gr. before 1/98
PV26	29 ¹³ / ₃₂ " x 29 ¹³ / ₃₂ "	29 ¹³ / ₃₂ " x 29 ¹³ / ₃₂ "	4.6	26" VX
PV51	55 ³ / ₈ " x 56 ³ / ₄ "	55 ⁵ / ₈ " x 57"	17.40	51" VX
PV553	58 ⁷ / ₈ " x 60 ¹ / ₈ "	59 ¹ / ₈ " x 60 ³ / ₈ "	19.3	55" VX
PK48	53 ⁷ / ₈ " x 50 ¹ / ₂ "	54 ¹ / ₈ " x 50 ³ / ₄ "	14.95	Grower 48E, C
PX18.5	18 ³ / ₈ " x 18 ³ / ₈ "	18 ⁵ / ₈ " x 18 ⁵ / ₈ "	1.65	custom
PX29	28 ³ / ₄ " x 30 ³ / ₄ "	28 ³ / ₄ " x 30 ³ / ₄ "	4.35	AxxFPT
PX35.5	35 ³ / ₈ " x 35 ³ / ₈ "	35 ⁵ / ₈ " x 35 ⁵ / ₈ "	6.50	custom
PX36.5	36 ³ / ₈ " x 36 ³ / ₈ "	36 ⁵ / ₈ " x 36 ⁵ / ₈ "	6.95	custom
PX37	36 ⁷ / ₈ " x 36 ⁷ / ₈ "	37 ¹ / ₈ " x 37 ¹ / ₈ "	7.15	custom
PX38	37 ⁷ / ₈ " x 37 ⁷ / ₈ "	38 ¹ / ₈ " x 38 ¹ / ₈ "	7.55	custom
PX39.75	39 ⁵ / ₈ " x 39 ⁵ / ₈ "	39 ⁷ / ₈ " x 39 ⁷ / ₈ "	8.35	custom
PX40.25	40 ¹ / ₈ " x 40 ¹ / ₈ "	40 ³ / ₈ " x 40 ³ / ₈ "	8.60	custom
PX41.5	41 ³ / ₈ " x 41 ³ / ₈ "	41 ⁵ / ₈ " x 41 ⁵ / ₈ "	9.10	custom
PX43	42 ⁷ / ₈ " x 42 ⁷ / ₈ "	43 ¹ / ₈ " x 43 ¹ / ₈ "	9.90	custom
PX45	44 ⁷ / ₈ " x 44 ⁷ / ₈ "	45 ¹ / ₈ " x 45 ¹ / ₈ "	10.85	custom
PX46	45 ⁷ / ₈ " x 45 ⁷ / ₈ "	46 ¹ / ₈ " x 46 ¹ / ₈ "	11.40	custom
PX47	46 ⁷ / ₈ " x 46 ⁷ / ₈ "	47 ¹ / ₈ " x 47 ¹ / ₈ "	12.00	custom
PX49.5	49 ³ / ₈ " x 49 ³ / ₈ "	49 ⁵ / ₈ " x 49 ⁵ / ₈ "	13.35	custom
PX52	51 ⁷ / ₈ " x 51 ⁷ / ₈ "	52 ¹ / ₈ " x 52 ¹ / ₈ "	14.80	custom
PX53	52 ⁷ / ₈ " x 52 ⁷ / ₈ "	53 ¹ / ₈ " x 53 ¹ / ₈ "	15.45	custom
PX54.13 - 57.13	54" x 57"	54 ¹ / ₄ " x 57 ¹ / ₄ "	17.1	custom
PX54.25	54 ¹ / ₈ " x 54 ¹ / ₈ "	54 ³ / ₈ " x 54 ³ / ₈ "	16.25	custom
PX54.5	54 ³ / ₈ " x 54 ³ / ₈ "	54 ⁵ / ₈ " x 54 ⁵ / ₈ "	16.45	custom
PX54-56	53 ⁷ / ₈ " x 55 ⁷ / ₈ "	54 ¹ / ₈ " x 56 ¹ / ₈ "	16.65	custom
PX56.5	56 ³ / ₈ " x 56 ³ / ₈ "	56 ⁵ / ₈ " x 56 ⁵ / ₈ "	17.1	custom
PX57	56 ⁷ / ₈ " x 56 ⁷ / ₈ "	57 ¹ / ₈ " x 57 ¹ / ₈ "	18.05	custom
PX57.5	57 ³ / ₈ " x 57 ³ / ₈ "	57 ⁵ / ₈ " x 57 ⁵ / ₈ "	18.40	custom
PX60-12	59 ⁷ / ₈ " x 11 ⁷ / ₈ "	60 ¹ / ₈ " x 12 ¹ / ₈ "	3.40	custom
PY28	27 ³ / ₄ " x 27 ³ / ₄ "	28" x 28"	4.05	24" turnabout
PZ09	11 ⁷ / ₈ " x 11 ⁷ / ₈ "	12 ¹ / ₈ " x 12 ¹ / ₈ "	0.50	9" Adv.
PZ0914	16 ³ / ₄ " x 16 ³ / ₄ "	17" x 17"	1.35	14" Adv.
PZ1618	21 ⁵ / ₈ " x 21 ⁵ / ₈ "	21 ⁷ / ₈ " x 21 ⁷ / ₈ "	2.35	16", 18" Adv.
PZ24	27 ⁵ / ₈ " x 27 ⁵ / ₈ "	27 ⁷ / ₈ " x 27 ⁷ / ₈ "	4.00	24" Adv.
PZ36	41 ⁷ / ₈ " x 41 ⁷ / ₈ "	42 ¹ / ₈ " x 42 ¹ / ₈ "	9.35	all 36" after 1/98
PZ42	47 ⁷ / ₈ " x 47 ⁷ / ₈ "	48 ¹ / ₈ " x 48 ¹ / ₈ "	12.55	42" Cls.
PZ48	53 ⁷ / ₈ " x 53 ⁷ / ₈ "	54 ¹ / ₈ " x 54 ¹ / ₈ "	16.10	all 48" after 1/98
PZ51	55 ⁷ / ₈ " x 55 ⁷ / ₈ "	56 ¹ / ₈ " x 56 ¹ / ₈ "	17.35	51" Ax.
PZ52	55 ⁷ / ₈ " x 55 ⁷ / ₈ "	55 ⁷ / ₈ " x 56 ¹ / ₈ "	17.25	51" Ax.
PZ54	55 ⁵ / ₈ " x 60 ¹ / ₈ "	55 ⁷ / ₈ " x 60 ³ / ₈ "	18.65	WF54
PZ60	69 ¹ / ₄ " x 64 ³ / ₄ "	69 ¹ / ₂ " x 65"	24.90	60" Adv.

Technical Specifications

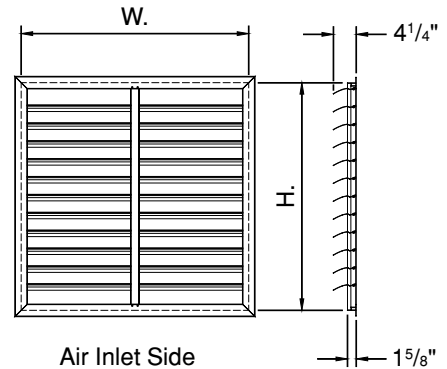
PK, PS, PV, PX, PY, PZ Series Features:

- Ready-to-install with no assembly required.
- Weatherable white PVC construction, dark gray available upon request.
- PX series, custom sizes, minimum order of 25. Contact the Munters office for more information.
- Shutters may not be motorized.

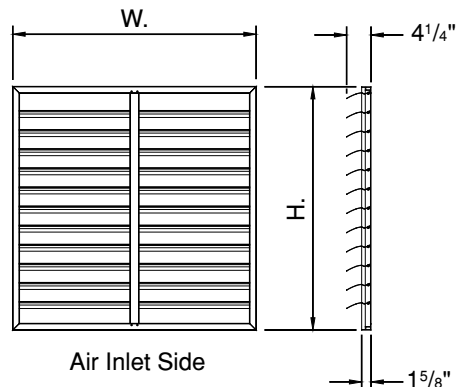
Standard Construction:

- Frame: rigid PVC, 0.095"t
- Blade: rigid PVC, 0.040"t
- Pivot Pins: fiberglass, 0.250"t
- Center Support: fiberglass 0.125"t
- Fasteners: stainless steel
- Linkage: individual blades
- Mounting Flange: 1" W. on all sides, except PY series is flangeless

PK, PS, PV, PX, PZ Shutters



PY Shutters

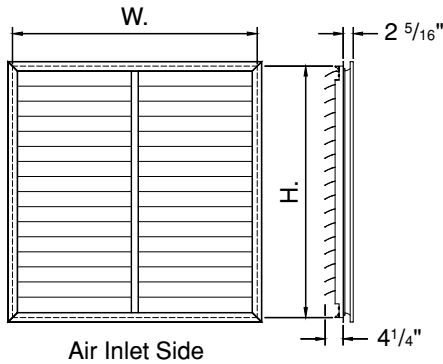


Plastic Shutters

Application:

The PR & PT series shutters are designed for vertical operation as fan intake shutters. Fan operation opens the shutter and when fan turns off the shutter closes to prevent back draft of air.

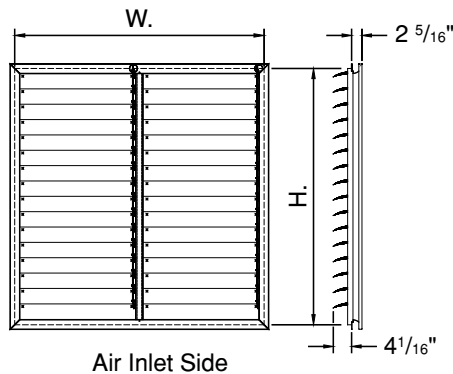
PT Shutter



Dimensional Data:

Catalog No.	Shutter Size W. x H.	Net Free Opening (ft ²)	Used with Fan
PT0914	16 ³ / ₄ " x 16 ³ / ₄ "	1.35	14" VX
PT1618	21 ⁵ / ₈ " x 21 ⁵ / ₈ "	2.35	16"/18" VX
PT24	27 ⁵ / ₈ " x 27 ⁵ / ₈ "	4	24" VX
PT26	29 ³ / ₈ " x 29 ³ / ₈ "	4.6	26" VX
PT51	55 ³ / ₈ " x 56 ³ / ₄ "	17.5	51" VX
PT553	58 ⁷ / ₈ " x 60 ¹ / ₈ "	19.3	55" VX

PR Shutter



Dimensional Data:

Catalog No.	Shutter Size W. x H.	Net Free Opening (ft ²)	Used with Fan
PR26	29 ³ / ₈ " x 29 ³ / ₈ "	4.65	26" VX
PR51	55 ³ / ₈ " x 56 ³ / ₄ "	17.40	51" VX
PR553	58 ⁷ / ₈ " x 60 ¹ / ₈ "	19.15	55" VX

Munters Corporation

2691 Ena Drive Lansing, MI 48917 USA
 800-227-2376 or 517-676-7070 Fax: 517-676-7078
 www.munters.us Email: aghort.info@munters.com

Technical Specifications

PT Series Features:

- Ready-to-install with no assembly required.
- For use with Vortex fans.
- Weatherable PVC construction.
- Shutters may not be motorized.

Standard Construction:

- Frame: rigid PVC, 0.070" - 0.095"t
- Blade: rigid PVC, 0.040"t
- Pivot Pins: Fiberglass, 0.250"t
- Center support: Fiberglass 0.125"t
- Fasteners: stainless steel
- Mounting Flange: 1" W. on all sides

PR Series Features:

- Ready-to-install with no assembly required.
- For use with Vortex fans.
- Weatherable PVC construction.
- Center support, reinforce with aluminum
- Shutters may not be motorized.

Standard Construction:

- Frame: rigid PVC, 0.070" - 0.095"t
- Blade: rigid PVC, 0.21"t double wall
- Blade Seal: flexible PVC 0.025"t
- Pivot Pins: polycarbonate
- Tie Bars: rigid PVC, 0.180"t
- Fasteners: stainless steel
- Mounting Flange: 1" W. on all sides