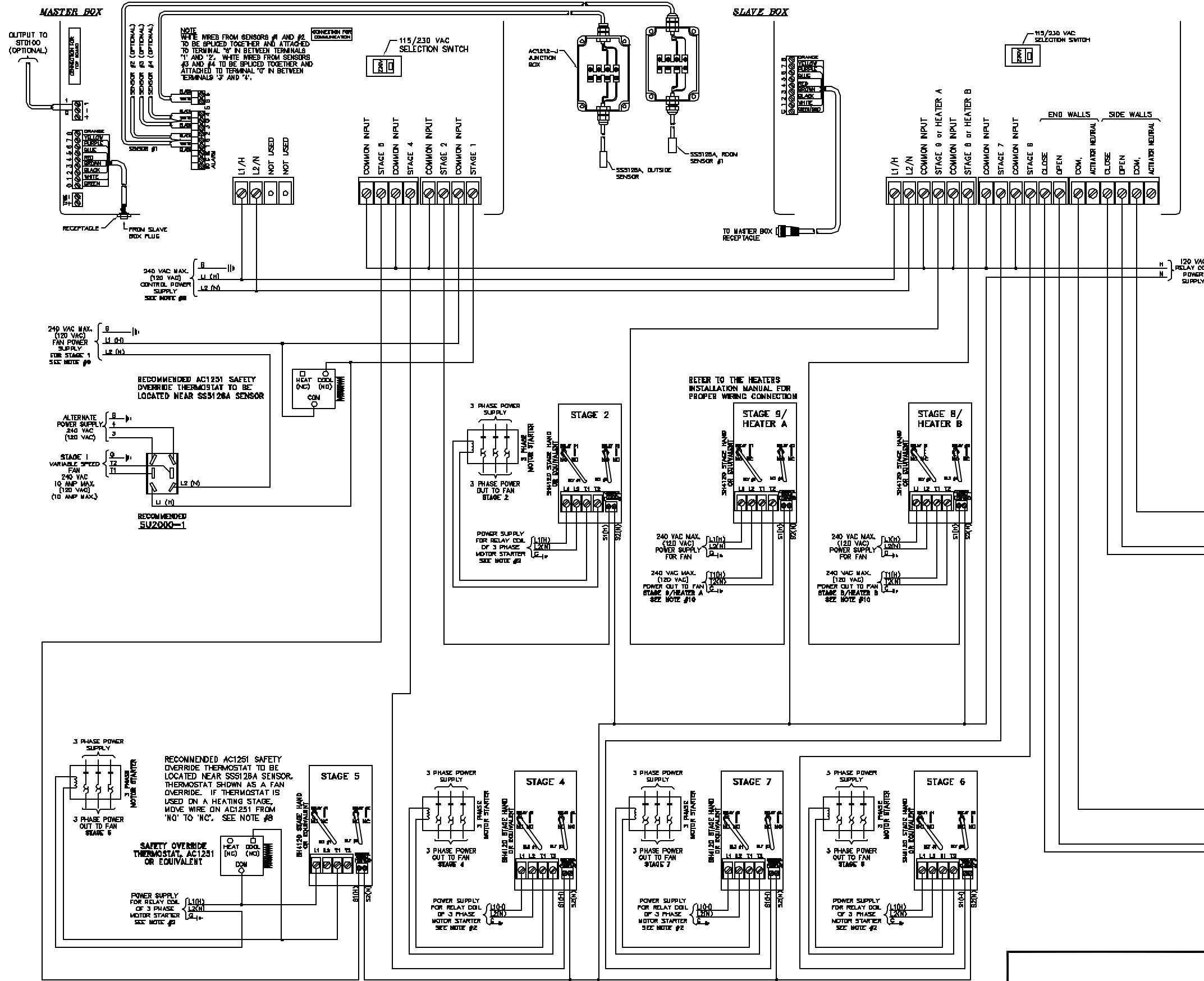


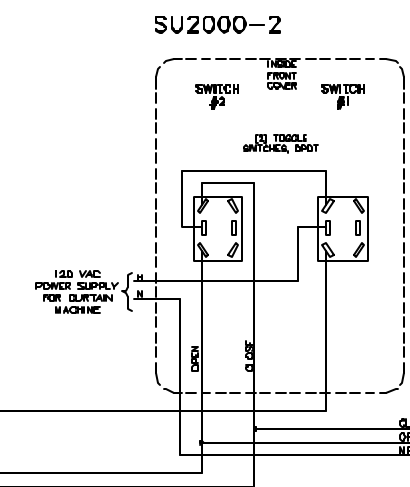
SS5126A



SS5126A - INTERNAL DIP SWITCHES

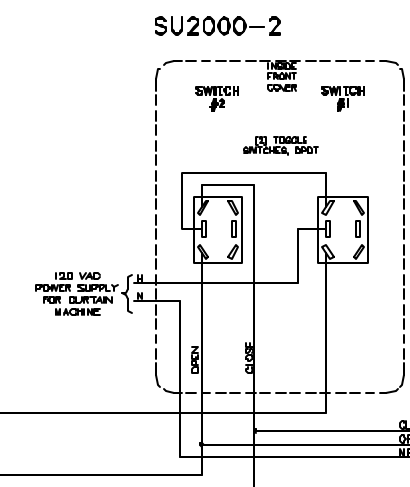
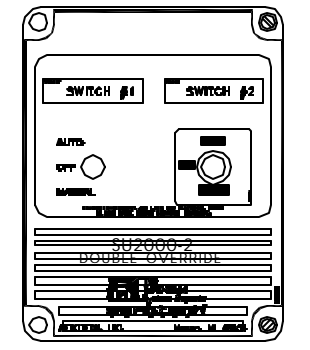
| OFF | ON |
|----------------------------------|--------------------------------|
| 1 UNLOADED PARAMETERS | LOOKED PARAMETERS |
| 2 FAHRENHEIT DEGREES | CELSIUS DEGREES |
| 3 STAGE 8 AND 9 COOLING | HEATER STAGES USED |
| 4 STAGE 5 HEATING ONLY | STAGE 8 AND 9 HEATING |
| 5 ZONED HEATERS | GASCOING HEATING |
| 6 STAGE 3 ABSENT/STAGE 7 PRESENT | STAGE 3 PRESENT/STAGE 7 ABSENT |
| 7 STAGED MIST STAGE | FLOATING MIST STAGE |

- NOTES**
- AN EXTERNAL RELAY WITH A MANUAL OVERRIDE SWITCH, SUCH AS THE STAGE HAND REFERRED TO IN THIS DIAGRAM, ARE REQUIRED FOR ALL FANS RANGING FROM 36" DIA. TO 80" DIA. OVERRIDE SWITCHES ALONE MAY BE USED ON 6" DIA. FANS THROUGH 24" FANS. EXTERNAL RELAYS ARE RECOMMENDED FOR ALL FANS.
 - POWER SUPPLY VOLTAGE MUST MATCH VOLTAGE OF RELAY COIL IN 3 PHASE MOTOR STARTER.
 - INSTALLATION OF A GOOD QUALITY ALARM SYSTEM (BY OTHER) IS STRONGLY ADVISED TO WARN OF POWER FAILURES AND HIGH/LOW TEMPERATURES.
 - COMPUTER EQUIPMENT AND SENSORS MUST NOT BE PRESSURE WASHED. SENSORS MUST BE REMOVED OR PROTECTED FROM HIGH PRESSURE WASHING. FAILURE TO DO SO MAY RESULT IN EQUIPMENT FAILURE AND MAY NOT BE COVERED UNDER WARRANTY.
 - PROVIDE SURGE PROTECTION (TO INCLUDE PROTECTION FROM LIGHTNING) FROM POWER SUPPLY TO CONTROL. CONSULT A CERTIFIED ELECTRICIAN FOR SPECIFIC RECOMMENDATIONS.
 - POWER SUPPLY = POWER INPUT, POWER OUT = POWER OUTPUT.
 - INFORMATION IN PARENTHESIS () REFERS TO 120 VAC OPERATION.
 - REFER TO STAGE 5 FOR TYPICAL THERMOSTAT SAFETY OVERRIDE WIRING. THE SAFETY OVERRIDE THERMOSTAT MAY BE PLACED ON ANY STAGE.
 - IN ORDER FOR VARIABLE SPEED FANS TO RUN CORRECTLY, LEADS OF POWER FOR CONTROL AND LEADS OF POWER FOR STAGE 1 AND STAGE 2 MUST BE SAME PHASE.
 - L1 AND L2 ARE SHOWN AS GRAPHICAL REPRESENTATION ONLY. 3 PHASE LINE BALANCING OF SINGLE PHASE LOADS MUST BE PERFORMED BY A CERTIFIED ELECTRICIAN.



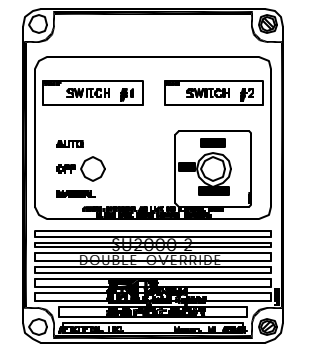
NOTE: SWITCH #1 IS WIRED TO ALLOW POWER TO CONTROL WHEN IN AUTOMATIC MODE. MANUAL MODE SENDS POWER TO SWITCH #2.

NOTE: SWITCH #2 IS WIRED SUCH THAT AUTOMATIC MODE SENDS OUT OPEN SIGNAL AND MANUAL MODE SENDS OUT CLOSE SIGNAL.



NOTE: SWITCH #1 IS WIRED TO ALLOW POWER TO CONTROL WHEN IN AUTOMATIC MODE. MANUAL MODE SENDS POWER TO SWITCH #2.

NOTE: SWITCH #2 IS WIRED SUCH THAT AUTOMATIC MODE SENDS OUT OPEN SIGNAL AND MANUAL MODE SENDS OUT CLOSE SIGNAL.



| | |
|---------------|--------------------------|
| 0809-08-22-01 | REVISED AND UPDATED 1889 |
| JUG 01-16-01 | REVISED AND UPDATED 1880 |
| BY | DATE |
| DESCRIPTION | JUN. |
| REVISIONS | |

aerotech
The Ventilation System Experts

SS5126A AEROTUNNEL 1.8
WIRING DIAGRAM - THREE PHASE POWER

| | | | | | |
|---|----------|------------|-----|---------|-------------|
| DATE | 08-03-98 | CHECKED BY | RLD | REP. | - |
| SCALE | NTS | DRAWN BY | DBB | JOB NO. | 1455 |
| This plan is the exclusive property of Aerotech, Inc. and is authorized for use by Aerotech representatives and customers only. ©Copyright 2001, Aerotech, Inc. | | | | | DRAWING NO. |
| | | | | | WC-97-255B |

Aerotech, Inc. 4255 Legion Drive, Muskegon, MI 49854-1056 USA
Toll-Free: 800-227-2376 • Local: 517-676-7070 • Fax: 517-676-7078