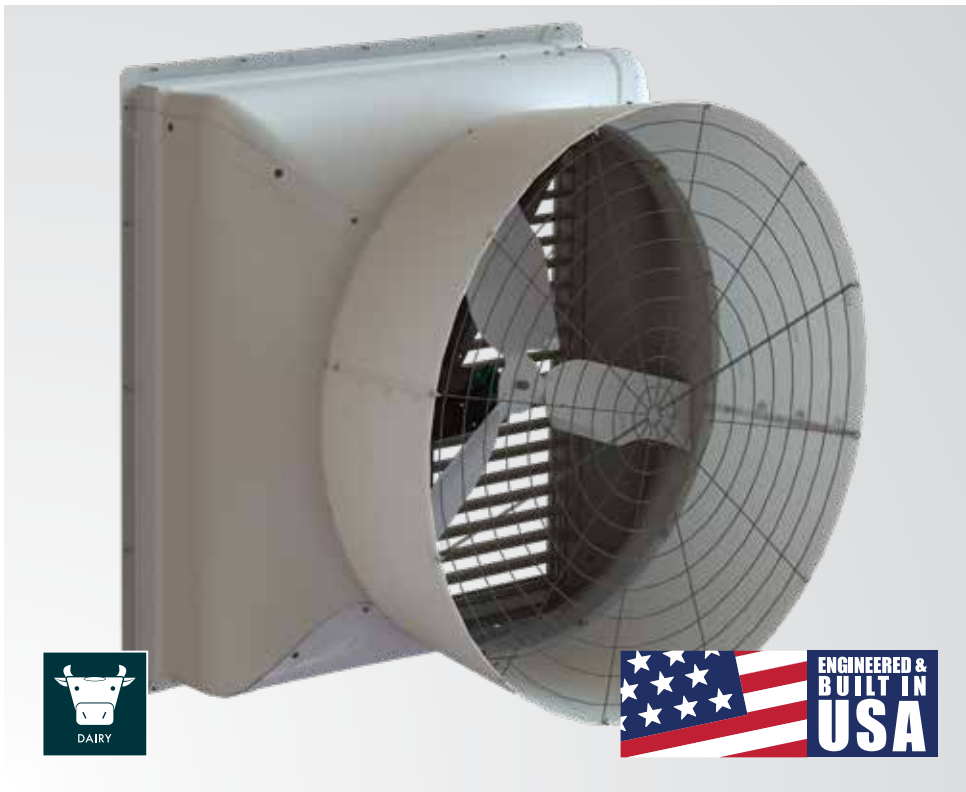


Exhaust Fan

# MUNTERS ATLAS 74



## FEATURES

- The most efficient fan in its class with up to 22.0 cfm/watt
- Highest airflow of any fan in its class with 51,900 cfm
- Calculate your true dollar savings over other models with our state-of-the-art Total Cost of Ownership comparison tool
- Durable fiberglass housing for a lifetime of use
- Robust 182 frame premium motor to ensure top performance and longevity
- Available in two ventilation modes for delivering optimum ventilation: Premium and Efficient models
- May qualify for energy rebates with an impressive 22.0 cfm/watt in the Efficient version

## BIG PERFORMANCE

Comfort is critical to livestock productivity. The new Munters Atlas fan offers big performance, for a comfortable, healthy herd. We believe longevity and value are two of the most important factors when purchasing your ventilation systems. Not only does Munters offers you the best performing fans on the market, we also have years of experience when it comes to the entire process from ventilation design to post installation follow up. Munters will be there throughout the process to ensure your operation is running at peak performance.

The Atlas 74 is designed, engineered and built in the USA with premium American-made parts for the demanding conditions of a modern dairy operation. Featuring a corrosion-resistant fiberglass housing that is easy to clean and built to withstand tough conditions. Munters also uses a premium 182-frame-motor to give you a more durable

and top performing motor for years of use. The fan is designed to operate comfortably within the limits of the motor's range, not at the upper limits where over usage can degrade the motor performance prematurely.

Two options are available for a customized approach to ventilation: Atlas Premium which provides the best balance between airflow and efficiency in its class, and Atlas Efficient the most energy efficient at 22.0 cfm/watt.

Atlas was designed to provide the best airflow and no other fan of this size performs better, meaning fewer fans to install and maintain and a lower total cost of ownership. Ask for our Total Cost of Ownership calculation tool and you will see for yourself that Munters is the best value when it comes to your dairy operation.

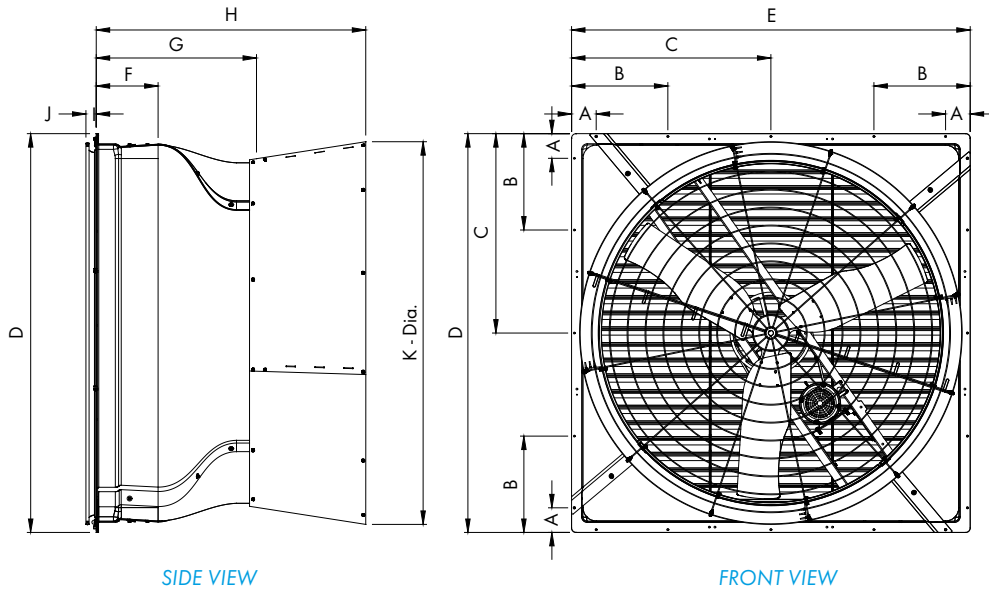


Shutter Fan

# Exhaust Fan ATLAS 74

## Dimensions

Fan Dia.	A	B	C	D	E	F	G	H	J	K - Dia.	Wall Opening
74"	5½"	21½"	44½"	89"	89"	13⅞"	35¾"	60¾"	2⅝"	85⅝"	85"Wx85"H



## Performance<sup>◇</sup>

ATLAS 74 Three Phase - 460V	RPM	0.00" SP		0.05" SP		0.10" SP		0.15" SP		0.20" SP		Airflow Ratio <sup>1</sup>
		CFM	CFM/WATT	CFM	CFM/WATT	CFM	CFM/WATT	CFM	CFM/WATT	CFM	CFM/WATT	
Atlas 74 - Premium		58,900	27.0	55,400	23.7	51,900	21.0	48,000	18.4	43,400	15.7	0.78
Atlas 74 - Efficient		56,500	29.3	52,900	24.8	49,100	22.0	45,000	19.1	39,800	16.0	0.75

<sup>1</sup> Airflow data are measured at standard conditions (20°; 1,013 hPa)

<sup>◇</sup> Tested in accordance with AMCA Standard 210