

WM54HF



Exhaust Fan

- Direct drive motor coupled with high performance propeller for a steady air flow in any application
- Plastic propeller blades with airfoil design
- High Strength fiberglass housing
- High quality plastic components to ensure high resistance, high thermal insulation and full tightness
- 4x longer life in comparison with traditional metal fans
- Maintenance free



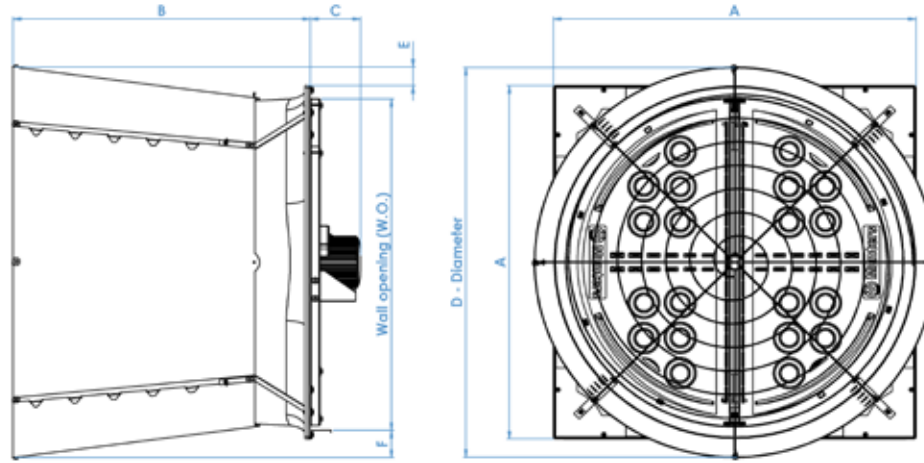
WM54HF Direct Drive Fiberglass Serie

Equipped with asynchronous motor directly coupled with an high performances propeller, the WM54HF combines high air volume with reliability and energy-efficiency. The innovative propeller plastic blades have airfoil shape to guarantee a top of the class air flow ratio and an extremely smooth noise emission. This feature allows a stable operation at any pressure level, delivering the right amount of air. Moreover, the direct drive motor is maintenance-free, as there is no longer need to verify the integrity of the transmission components: v-belts, pulleys etc. The design of damper minimizes pressure drop when the fan is operating and assures thermal insulation from the external environment when the fan stops. Thanks to its tight closing, the damper effectively cuts light and air leakages. The fan housing is made in fiberglass to reduce dimensional fluctuation due to temperature variations, while the discharge cone and the damper are in plastic to offer the maximum protection against corrosion. Plastic and fiberglass guarantee a longer working life, compared to metal fan, as they are corrosion free. Maintenance is also easier, as the dust and dirt stick less on those materials compared to metal.



 **Munters**

Dimensions



| Size | A | B | C | D - Diameter | E | F | Wall openings |
|------|-------------|-------|-----|--------------|----|-----|---------------|
| 54" | 1,524x1,524 | 1,245 | 210 | 1,684 | 81 | 121 | 1,435x1,435 |

All measurements are in millimeters.

Technical specifications

| | | WM54HF |
|---|-------------------------------|-----------------|
| Number of blades | | 3 |
| Propeller diameter | mm [inch] | 1,380 [54,3] |
| Weight of fully equipped fan ¹ | [kg] | 85 |
| Airflow at 0 Pa | m ³ /h [cfm] | 60,276 [35,442] |
| Airflow at 25 Pa | m ³ /h [cfm] | 54,789 [32,216] |
| Airflow at 50 Pa | m ³ /h [cfm] | 49,551 [29,136] |
| Airflow at 75 Pa | m ³ /h [cfm] | 44,858 [26,377] |
| Airflow at 100 Pa | m ³ /h [cfm] | 34,961 [20,557] |
| Specific performance at 25 Pa | m ³ /h /W [cfm /W] | 25.3 [14.9] |
| Specific performance at 50 Pa | m ³ /h /W [cfm /W] | 20.9 [12.3] |
| Airflow ratio | | 0.86 |
| Nominal propeller speed | [rpm] | 705 |

Data for Fan Eco Design Directive

| Product information requirements* → | 1 | 2 | 3 | 4 | optional | 5 | 6a | 6b | 6c | 7 | 8 |
|-------------------------------------|-----------------------------|----------------------|---------------------|------------------|------------------------------|------------------------------------|--|--|--|----------------------------------|----------------|
| Fan description* | Overall efficiency $\eta\%$ | Measurement category | Efficiency category | Efficiency grade | Target efficiency grade 2015 | VSD must be installed with the fan | Motor power input at optimum energy efficiency [W] | Flow rate at optimum energy efficiency [m ³ /h] | Pressure at optimum energy efficiency [Pa] | RPM at optimum energy efficiency | Specific ratio |
| WM54HF | 41.3 | A | static | 44.8 | 40 | no | 2,760 | 39,606 | 103.5 | 667 | 1 |

* Fans tested are configured according to Commission Regulation (EU) No. 327/2011 of 30th March 2011 - Annex II - 1.5.

Euroemme® WM54HF extraction fan is developed and produced by Munters Italy S.p.A., Italy

www.munters.com

Australia Phone +61 2 8843 1594, agh.info@munters.com.au, **Brazil** Phone +55 41 3317 5050, contato@munters.com, **Canada** Phone +1 517 676 7070, aghort.info@munters.com, **China** Phone +86 10 8048 3493, marketing@munters.cn, **Denmark** Phone +45 98 623 311, aghort@munters.dk, **Germany** Phone +49 2558 9392-0, info.reventa@munters.de, **India** Phone +91 20 6681 8900, info@munters.in. **Israel** Phone +97 2 39206200, info@munters.co.il **Italy** Phone +39 0183 5211, info@munters.it, **Japan** Phone +81 3 5970 0021, mkk@munters.jp, **Korea** Phone +82 2 7618 701, munters@munters.co.kr, **Mexico** Phone +52 818 2625 400, dhinfo@munters.com, **South Africa and Sub-Sahara Countries** Phone +27 11 997 2000, info@munters.co.za **Spain** Phone +39 0183 5211, info@munters.it, **Sweden** Phone +45 98 623 311, aghort@munters.dk, **Thailand** Phone +66 2 6422 670, info@munters.co.th, **Turkey** +90 216 594 18 65 info@muntersform.com, **USA** Phone +1 517 676 7070, aghort.info@munters.com, **Export & Other countries** Phone +39 0183 5211, info@munters.it

Munters reserves the right to make alterations to specifications, quantities, etc., for production or other reasons, subsequent to publication.
© Munters AB, 2018



Your closest distributor