



Product sheet

## WM Fiberglass Fan Series

Now available in 36" and 54" sizes with Munters Drive technology

- Variable speed, for minimum ventilation
- Rigid and durable fiberglass housing
- Insulated and sealed damper door to reduce condensation, light and air leaks
- Polymer engineered UV protected cone and damper door
- Inlet guard mounts flush with inside of building framing, without needing an additional housing

© WM36F WM54F Copyright Munters Corporation 2018

## WM 36, 54 and 54 with Munters Drive Fiberglass Fan Series

The WM Series is now available in a 36" size. Built on the original WM54F platform. The fan still has all of the original components like the fiberglass housing, welded aluminum ring, corrosion proof plastic cone and damper doors. With over 65 years of Aerotech® fan design, this fan gives producers exactly what they need. Manufactured in the USA, the Munters engineering team added the Munters Drive to an already premium product to give you the efficiency and building climate control you need. Protect your investment and chose the fan designed to handle your harsh livestock environment, the WM54F, WM54F with Munters Drive, or the new WM36F are designed for years of trouble free ventilation.



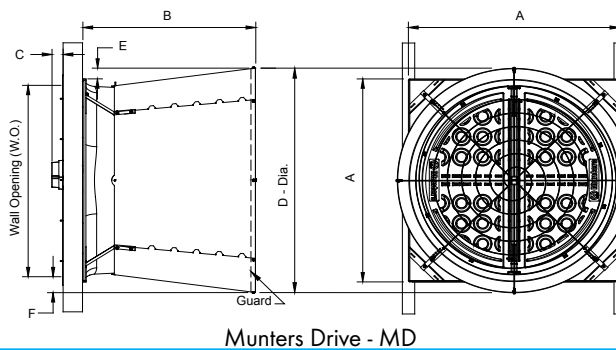
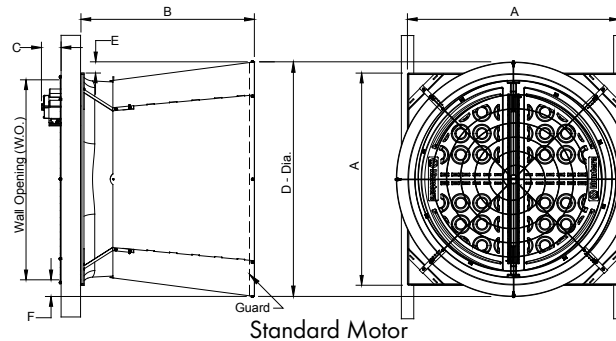
## Performance Information:

| Catalog Number                                   | 0.0" SP |             | 0.05" SP |             | 0.10" SP |             | 0.15" SP |             | BESS Lab Test # |
|--|---------|-------------|----------|-------------|----------|-------------|----------|-------------|-----------------|
|  | CFM     | CFM<br>Watt | CFM      | CFM<br>Watt | CFM      | CFM<br>Watt | CFM      | CFM<br>Watt |                 |
| <b>Single Phase Motors : 0.75 HP, 230V</b>       |         |             |          |             |          |             |          |             |                 |
| WM367F1CB  | 13,940  | 16.0        | 13,130   | 14.5        | 11,980   | 12.9        | 10,690   | 11.5        | 17310           |
| <b>Single Phase Motors : 1 HP, 230V</b>          |         |             |          |             |          |             |          |             |                 |
| WM361F1CB  | 14,250  | 11.18       | 13,410   | 10.91       | 12,360   | 9.9         | 11,280   | 8.9         | 17348           |
| WM541F1CB  | 30,700  | 28.0        | 29,100   | 25.0        | 27,200   | 22.3        | 24,900   | 19.6        | 15181           |
| <b>Single Phase Motors : 1.5 HP, 230V</b>        |         |             |          |             |          |             |          |             |                 |
| WM5415F1CB                                       | 32,500  | 24.1        | 30,900   | 21.8        | 29,200   | 19.5        | 27,200   | 17.7        | 15182           |
| <b>Single Phase Motors : Munters Drive, 230V</b> |         |             |          |             |          |             |          |             |                 |
| WM54 - High Efficiency - HE                      | 30,500  | 30.4        | 28,900   | 26.5        | 27,000   | 23.3        | 22,300   | 17.5        | 15116           |
| WM54 - High Rebate - HR                          | 32,400  | 26.7        | 30,800   | 23.5        | 29,900   | 21.1        | 27,400   | 18.8        | 15117           |
| WM54 - High Output - HO                          | 34,200  | 23.3        | 32,800   | 20.9        | 31,200   | 18.9        | 29,500   | 16.9        | 16950           |

## Dimensions:

| Size       | A              | B   | C   | D - Dia. | E   | F   | Wall Openings   |
|------------|----------------|-----|-----|----------|-----|-----|-----------------|
| WM36F      | 48"W. x 48"H.  | 40" | 6½" | 48¾"     | 1¾" | 1¾" | 44½"W. x 44½"H  |
| WM36F - MD | 48"W. x 48"H.  | 40" | 3⅜" | 48¾"     | 1¾" | 1¾" | 44½"W. x 44½"H  |
| WM54F      | 60"W. x 60" H. | 49" | 5⅛" | 66⅝" *   | 3⅜" | 4¾" | 56½"W. x 56½"H. |
| WM54F - HO | 60"W. x 60" H. | 49" | 3⅜" | 66⅝" *   | 3⅜" | 4¾" | 56½"W. x 56½"H  |

\*Can mount 60" O.C. by flattening cone sides



WM36 and WM54 are distributed by Munters



**Australia** Phone 61 2 8843 1594, agh.info@munters.com.au, **Brazil** Phone +55 41 3317 5050, contato@munters.com, **Canada** Phone +1 517 676 7070, aghort.info@munters.com, **China** Phone +86 10 8048 3493, marketing@munters.cn, **Denmark** Phone +45 98 623 311, aghort@munters.dk, **Germany** +49 (0) 25 58 - 93 92-0, **India** Phone +91 20 6681 8900, info@munters.in, **Indonesia** Phone +66 2 642 2670, info@munters.co.th, **Israel** Phone +972 3 920 6200, info@munters.co.il, **Italy** Phone +39 0183 5211, info@munters.it, **Japan** Phone +81 3 5970 0021, mkk@munters.jp, **Korea** Phone +82 27618701, munters@munters.co.kr, **Mexico** Phone +52 8182625 400, dhinfo@munters.com, **Singapore** Phone +65 7 446 828, info@munters.com.sg, **South Africa and Sub-Sahara Countries** Phone +27 11 997 2000, info@munters.co.za, **Spain** Phone +39 0183 5211, info@munters.it, **Sweden** Phone +46 8 6266 300, info@munters.se, **Thailand** Phone +66 26422670, info@munters.co.th, **Turkey** Phone +90 2627513750, info@muntersform.com, **USA** Phone +1 517 676 7070, aghort.info@munters.com, **Export & Other countries** Phone +39 0183 5211, info@munters.it

Your closest distributor