



- Built with thermally insulated polyurethane material and premium corrosion resistant materials to assure top performance for many years.
- Diameter of 36 inches.
- Adjustable air distribution across a large distribution diameter.
- Variable speed option available.
- Mounts to ceiling using chain links.

Versatile Volume vs Throw Output

Engineered to mix large volumes of air and provide even temperatures throughout your facility. Made from thermally insulated polyurethane material and built with premium corrosion resistant materials to assure top performance for many years. Ideally suited for new, large cage-free buildings.

Uses a quiet 36 inch variable speed fan that can keep precise control over air flow. Fan may be customized to fit the application and seasonal needs. Fan performance is 12,450 cfm and throws air up to 72 feet.

The Vario sliding fan module makes it possible to variably adjust the volume vs. throw output. Vario is designed specifically for 100% of fan output available as recirculated air during operation. Use with the BI28 Ceiling Inlet and Professional 2900 Sidewall Inlet to add fresh air and maintain the correct amount of fresh air and circulated air to keep your building's climate stable.



Bird Guard

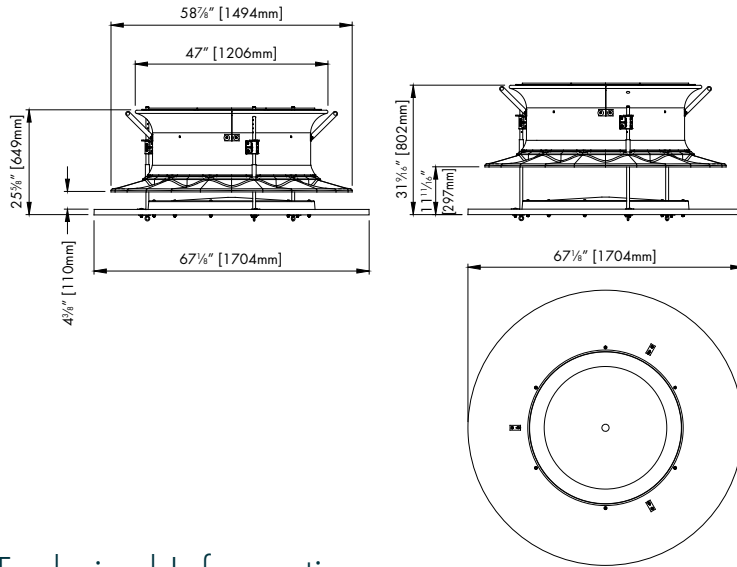


Available guard kit for the 36" Vario circulation fans is added to prevent birds from entering the venturi/propeller interface. The guard kits are made of powder coated steel to increase corrosion resistance and are easy to install in new and existing fans.

Circulation Fan VARIO



Dimensions



NOTE:



The sliding fan module on the Vario makes it possible to variably modify the recirculation gap.

Technical Information

Interior Diameter		Air Flow Equal Pressure Ventilation	
inch	millimeter	cfm	[m ³ /h]
36	920	12,450	21,125

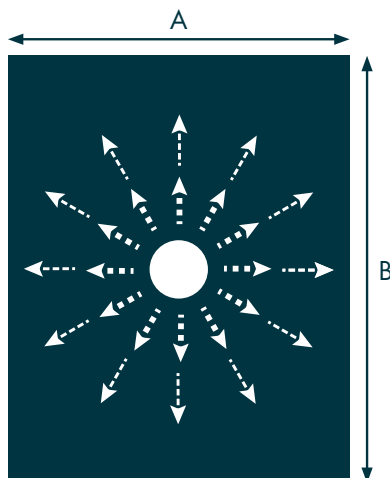
FH1704 - Chain Mount Kit

Available for hanging Vario fans to the ceiling. Includes chain and s-hooks for easy hanging of the Vario fan.

Throwing Range*

Up to 72 feet.

Planning starts with an even distribution of the Vario fans. Near equal sized areas ensure an optimum distribution of fresh air. The fresh air distributor can be employed in equal pressure systems.



*Dependant on pressure, outside temperature and internal stable temperature.