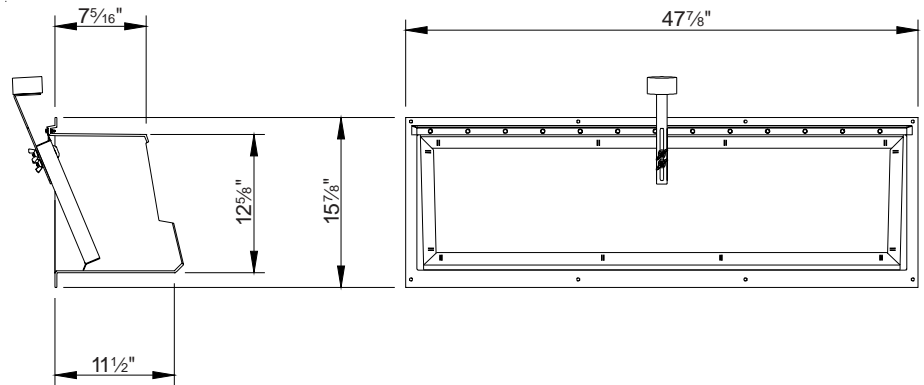


**Each MI4 includes:**

- 1- Modular Inlet
- 1- Counterweight
- 1- Hardware Package (HP1039), including:
  - 10 - #14 x 1.5" Tapping Screws
  - 1 - U Bolt
  - 3 - 1/4" Washers, SS
  - 2 - Wing Nuts
  - 1 - Bead Chain, 6"L., SS
  - 2 - Coupling Rings, SS
  - 1 - Hook, SS
  - 1 - S-hook, SS
  - 1 - #6 x 1/2" Tek Screw, SS
  - 2 - Adhesive Foam Seals, 15"L.
  - 1 - Guide Link
  - 1 - #10 -16 x 3/4"L Screws, SS

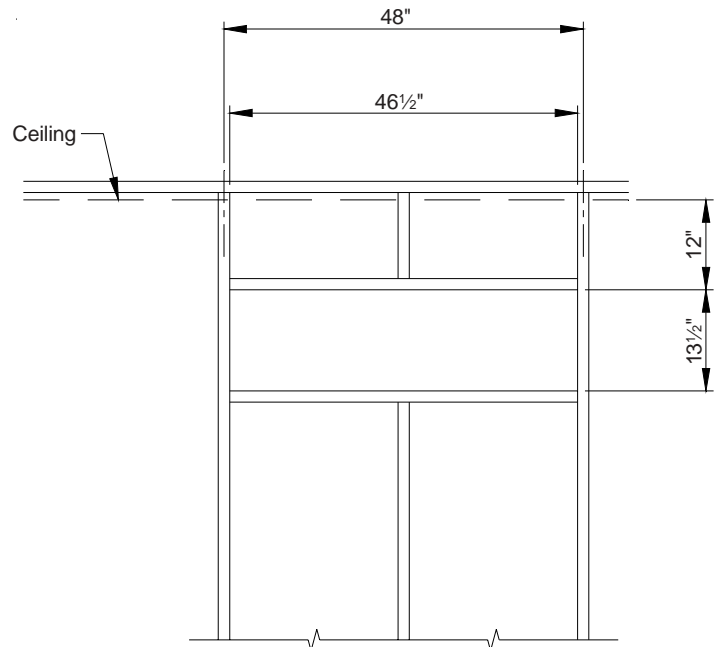


## UNPACKING THE EQUIPMENT

Before beginning installation, check the overall condition of the equipment. Remove packing materials, and examine all components for signs of shipping damage. Any shipping damage is the customer's responsibility and should be reported immediately to the freight carrier.

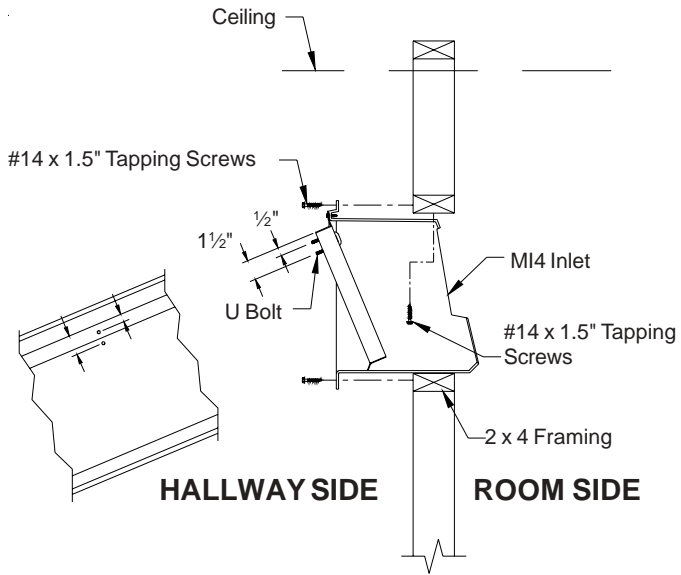
## INSTALLATION INSTRUCTIONS

- 1) Construct a framed opening with inside dimensions of 46 1/2"W. x 13 1/2"H. at 12" from ceiling to the top **inside** of the stud, See **Figure 1**.

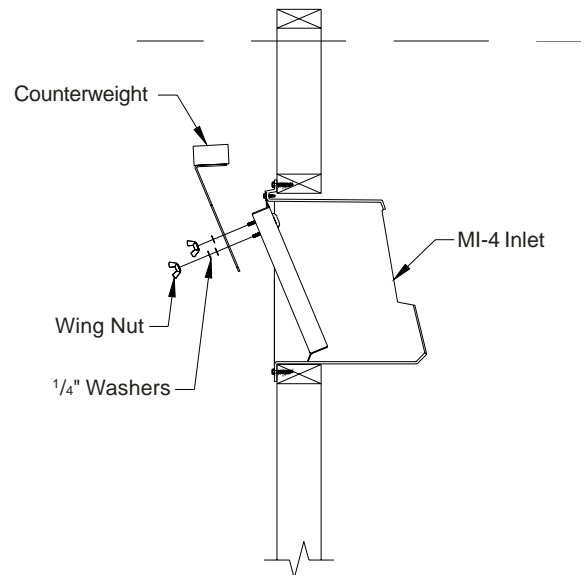


**Figure 1**

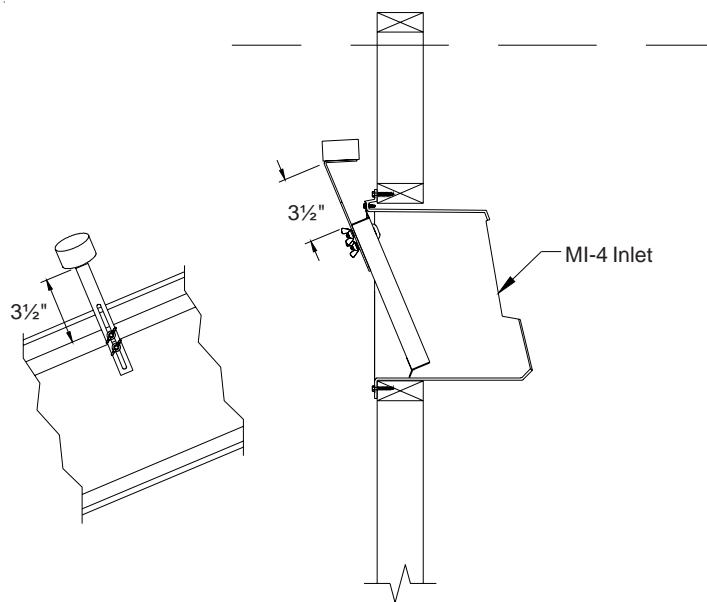
- 2) Insert the Inlet into the opening from the hallway side of the wall. Attach with (10) #14 x 1.5" Tapping Screws (provided). **See Figure 2.** Drill two (2)  $\frac{9}{32}$ " holes in the middle of the door for the U Bolt. The first hole is located  $\frac{1}{2}$ " down from the top of the door, the second hole is  $1\frac{1}{2}$ " from the top of the door. Insert U Bolt from room side to hallway side.
- 3) Attach counterweight to door making sure weight faces toward the wall. Use U Bolt and wing nuts to fasten counterweight in place. Recommended starting position for counterweight  $3\frac{1}{2}$ " from top of door. **See Figure 3 and 4.**
- 4) Gently push door open by hand, checking for smooth operation. Modular inlet is now complete.



**Figure 2**



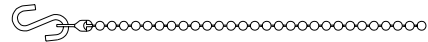
**Figure 3**



**Figure 4**  
**INSTALLATION COMPLETE**

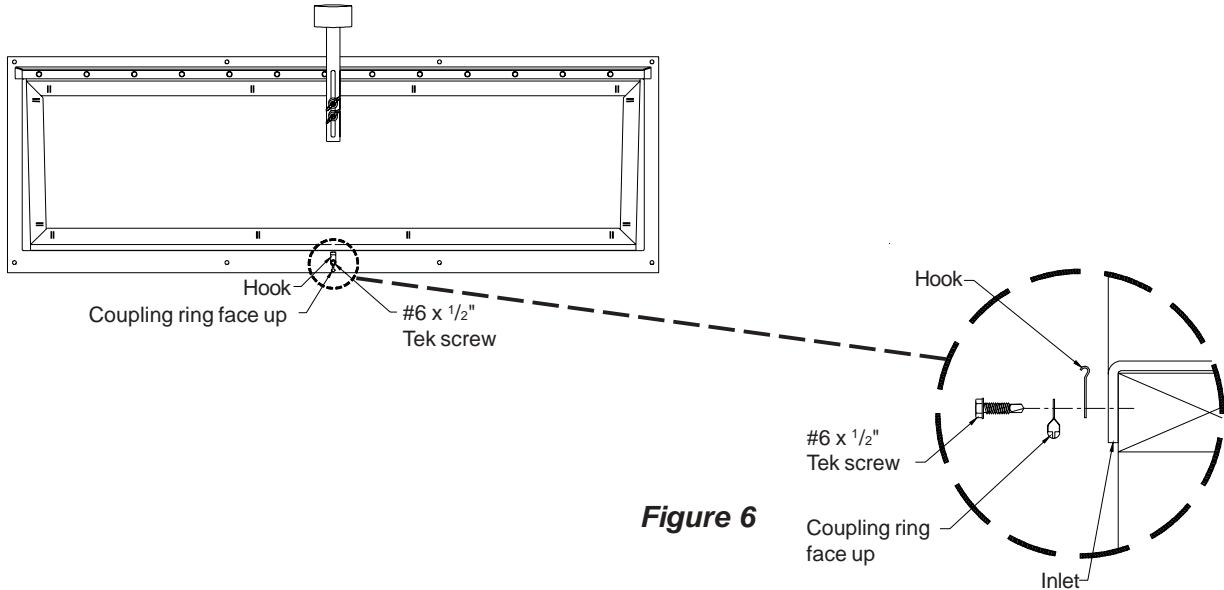
## LATCH and CLOSURE SEAL

- 1) Assemble the bead chain, coupling ring and S-hook, closing one end of the S-hook around the coupling ring as shown in **Figure 5**.



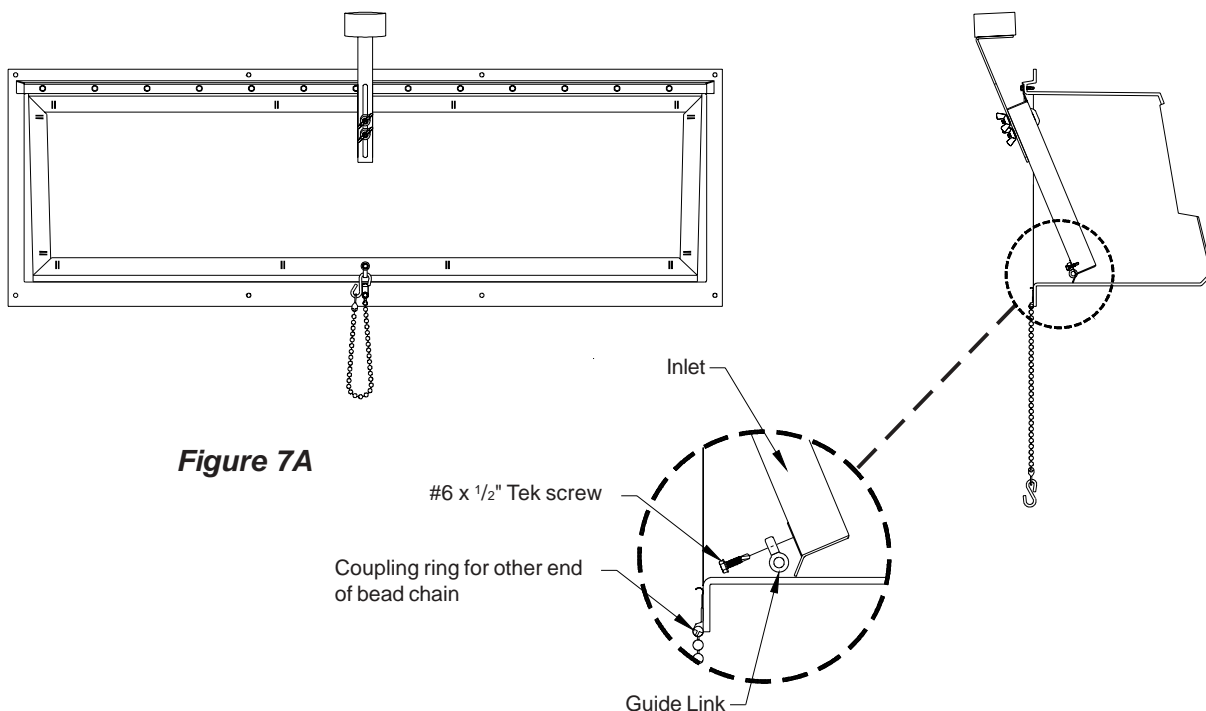
**Figure 5**

- 2) Find the bottom, center of the inlet and attach the hook and coupling ring, with the "hook" part facing up, using one (1) #6 x 1/2" Tek screw. **See Figure 6**. Top of hook should be just below bottom shelf of housing.



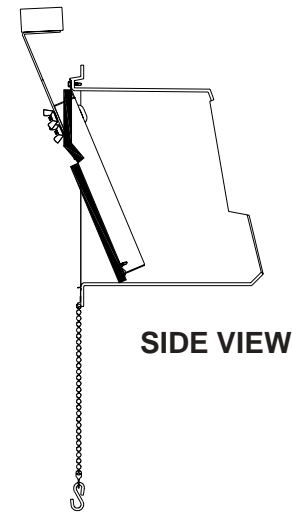
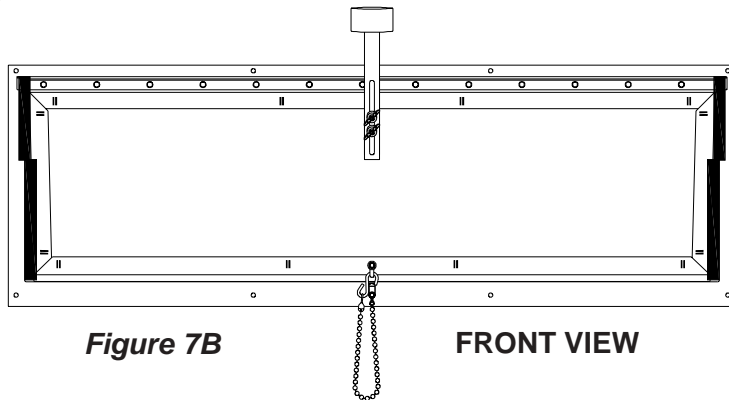
**Figure 6**

- 3) Install the guide link on to the lower channel of two door as shown in **Figure 7A**. Insert the S-hook into the guide link and hook the other end of bead chain into the coupling ring. **See Figure 7A**. Close and lock the inlet door.



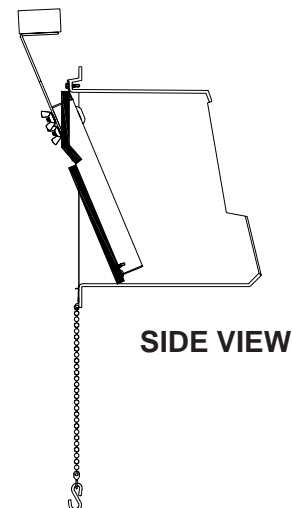
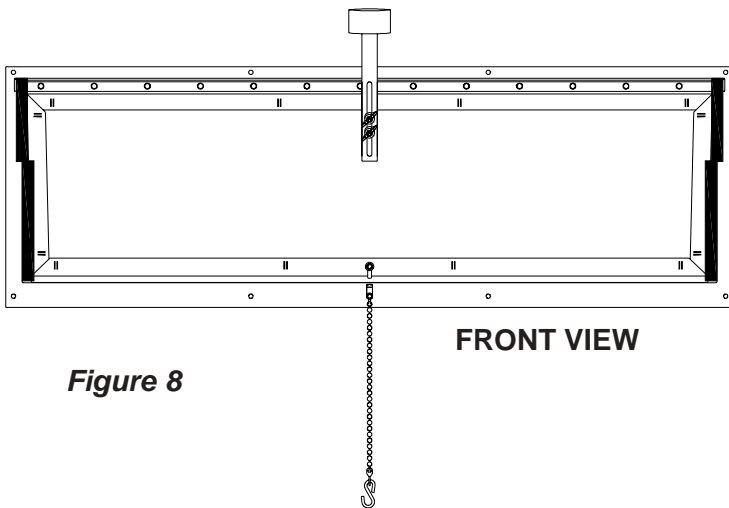
**Figure 7A**

- 4) Measuring from one end of the foam piece, cut off a piece approximately 9" long. Clean surfaces and peel off the adhesive liner and place the adhesive side of the foam on the inside of the inlet, fitting tightly to the inlet's door, sealing the opening. **See Figure 7B.** With the remaining 6" piece, place on the outside on the inlet, fitting tightly to the edge of the door, sealing any gap. **See Figure 7B.** Repeat for other side of inlet. Installation complete.



## OPERATION

- 1) When inlet will be used for ventilation, unhook S-hook from guide link as shown in **Figure 8**, and allow chain to hang down.



## ADJUSTMENT

- 1) To achieve a higher static pressure in room, lower counterweight slightly.
- 2) To achieve a lower static pressure in room, raise counterweight slightly.

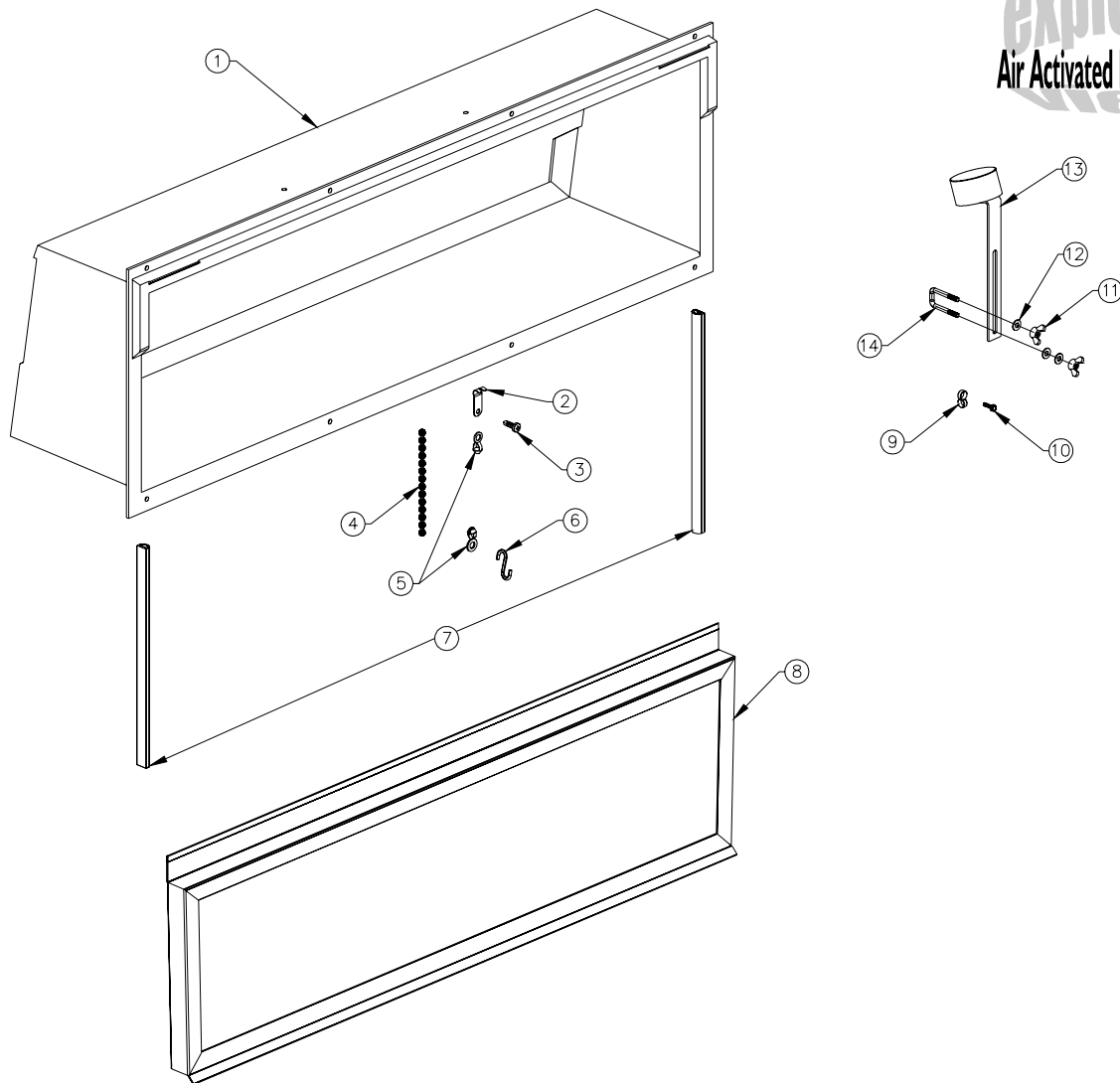
## MAINTENANCE

Baffle must be clean and free of debris in order for inlet to function properly.

**WARRANTY:** See Aerotech, A Munters Company Limited Warranty Statement

**Aerotech, A Munters Company**  
4215 Legion Dr. Mason, MI 48854-1036 USA  
(517) 676-7070 Fax (517) 676-7078

**FORM: QM1170**  
Rev. 5, July 2006  
Page 4 of 5



## REPLACEMENT PARTS

Ref. No.	Cat. No.	Description	Qty.
1	AC1510	Housing, Fiberglass	1
2	KX1008	Hook, Stainless Steel	1
3	KS2300	#6 x 1/2" Tek Screw, Stainless Steel	1
4	KX1013	#10 Bead Chain, 6"L., Stainless Steel	1
5	KX1007	Coupling Ring, Stainless Steel	2
6	KX1002	S-Hook, Stainless Steel	1
7	KA2152	Foam Seal, Adhesive Backed, 15"L.	2
8	AC3190	Door, with Foam Insert, MI4, 45"L, Plastic	1
9	AC1054	Guide Link	1
10	KS2252	#10 -16 x 3/4"L Tek Screw, Stainless Steel	1
11	KN2301	Wing Nut	2
12	KW3002	1/4" Type A Narrow Washer, Stainless Steel	3
13	AC1512	Counterweight	1
14	KX2802	U Bolt	1