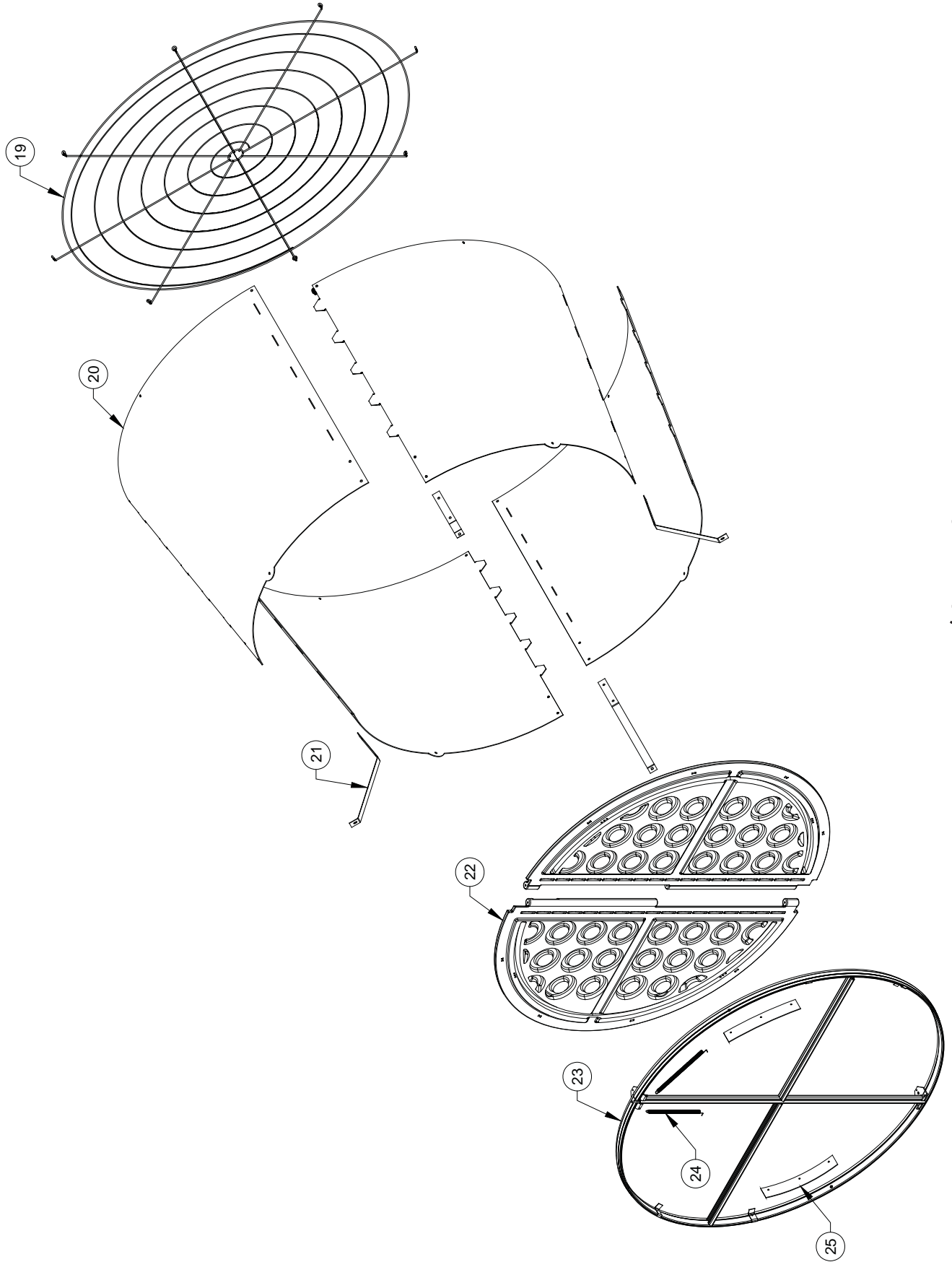


Fan Components



Damper/Cone Components

Catalog No.				
Item	WM36F	WM54F	Part Name/Description	Qty.
1	FH1636	FH1654	Orifice Panel, FG	1
2	– FP2546	FP1454 –	Prop Assembly, 3-Blade, GZ Prop Assembly, 4-Blade, GZ	1
3	FH1530*	FH1532*	V-belt, A-section, Aramid Fiber	1
4	FP2060	FP2060	Hub with Bearing and Shaft	1
5	FH2137	FH2137	Propeller Sheave, AL	1
6	KX1130	KX1130	Shaft Shield, AL	1
7	KN1860	KN1860	Hex Nut, M25x10mm, ZP	1
8	FH2020*	FH1996*	Motor Sheave 5/8" bore with keyseat, CI	1
9	FM1022*	FM1046*	Motor, 56 Frame	1
10	–	FH2855	Motor Bracket Support Stiffener, GZ	1
11	FH2830	FH2830	Mounting Plate for NEMA 56 Motor, GZ	1
12	FH2504	FH2504	Mounting Bracket for Belt Tensioner, GZ	1
13	FH2402K	FH2402K	Belt Tensioner Assembly with 3" Idler Pulley	1
	FH2406	FH2406	3" Idler Pulley only, with Bolt	1
	FH2439	FH2439	Tensioner Arm only, AL	1
14	KX1095	KX1095	1.75"L. x .5" One-Legged J-Nail, GZ	10
15	FH1344	FH1341	Inlet Guard, 2" x 2" Mesh, GZ	1
16	FH1663	FH1664	Tube Strut, Center, GZ	1
17	FH1658	FH1659	Drip Shield Plate, AL	1
18	FH1980	FH1980	Cone/Strut Mounting Bracket, GZ	4
19	FH1436	FH1454	Outlet Guard, Round, CTD BLK	1
20	FH4636	FH4654	Discharge Cone Section, PL	4
21	FH2431	FH2431	Cone Support Bracket, PC type, GZ	4
22	FA2036	FA2054	Door Assembly w/ Latch (2 Doors), PL	1
23	FA2836	FA2854	Main Frame Assembly, AL	1
24	KX1464	KX1466	Tension Spring, 0.5"OD x 10.8"L, SS	2
25	FA1741	FA1741	Wing, 12.5"L. x 2"W. x .125"T.,HDPE,BLK	2

* Parts listed are for specific fan configuration. Contact office for replacement part numbers for your fan configuration.