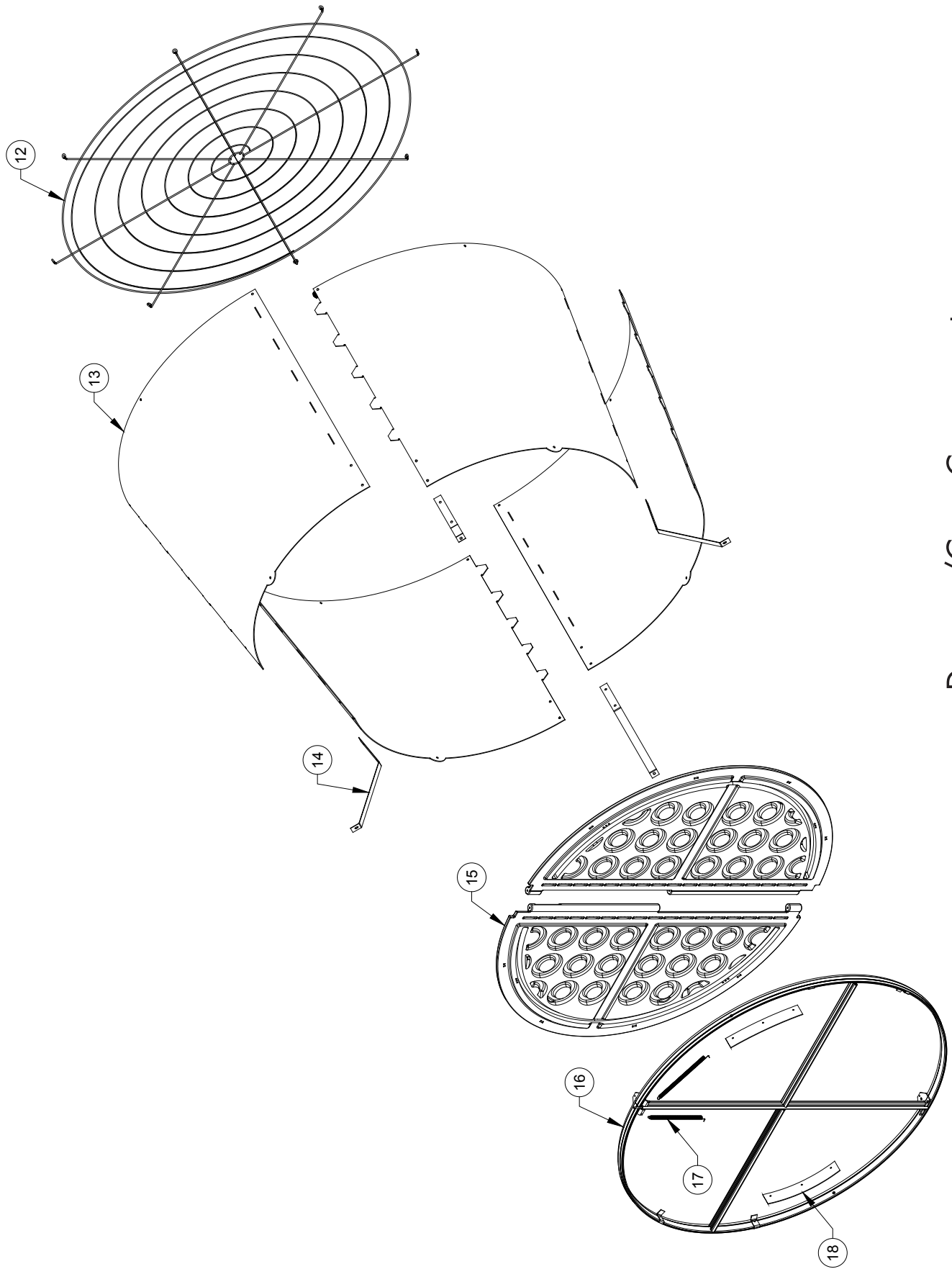


Fan Components



Damper/Cone Components

Catalog No.				
Item	WM36DF	WM54DF	Part Name/Description	Qty.
1	FH1636	FH1654	Orifice Panel, FG	1
2	FP2546	FP1454	Prop Assembly, 3-blade, GZ	1
3	Various*	Various*	Motor for Munters Drive, less controller	1
4	-	FH1983	Strut Brace, 39.19"L., GZ (WM54DF only)	1
5	KE2535	KE2535	Cable, Power, 1ph Munters Drive Controller, 16/3,144"L	1
	KE2536	KE2536	Cable, Power, 3ph Munters Drive Controller, 16/4,144"L	1
6	Various*	Various*	Controller, WM Munters Drive	1
7	FH1968	FH1968	1-Hole Pivoting Shutter Clip, BLK PL	8
8	FH1344	FH1341	Inlet Guard, 2" x 2" mesh, GZ	1
9	FH1663	FH1664	Tube Strut, Center, GZ	1
10	FH1658	FH1659	Drip Shield Plate, AL	1
11	FH1980	FH1980	Cone/Strut Mounting Bracket, GZ	4
12	FH6436	FH6454	Outlet Guard, Round, CTD BLK	1
13	FH4636	FH4654	Discharge Cone with Tabs, PL	4
14	FH2431	FH2431	Cone Support Bracket, GC type, GZ	4
15	FA2036	FA2754	BP1036/BP1054 Door Assembly w/ Latch, PL	2
16	FA7836	FA7854	BP1036/BP1054 Main Frame Assembly, AL	1
17	KX1465	-	Tension Spring, 0.5"OD x 11.0"L, SS	2
	-	KX1466	Tension Spring, 0.5"OD x 10.8"L, SS	2
18	FH1365	FH1365	Wing Add-on Kit, 2 Wings w/ Hardware	1

*Contact office for replacement part numbers for your fan configuration.