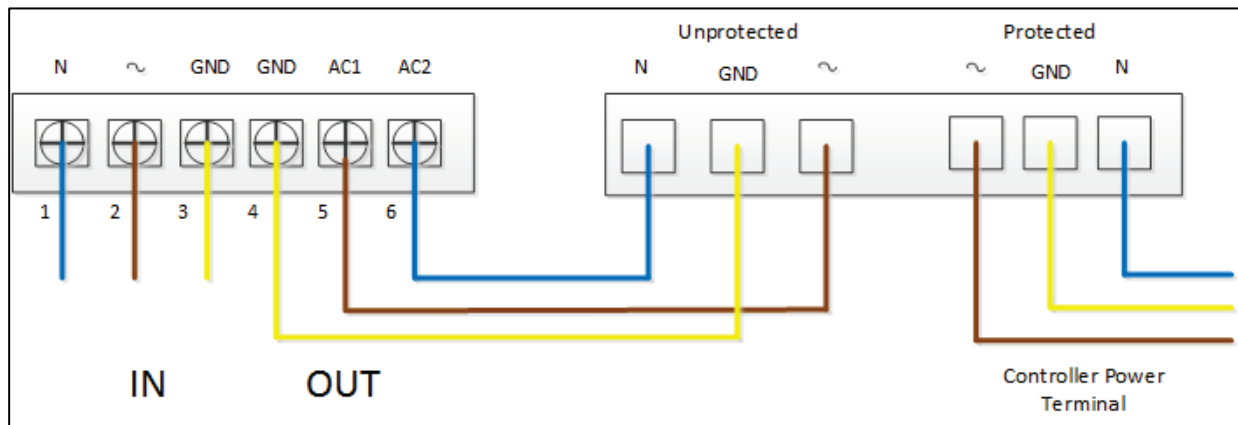


ISOLATED TRANSFORMER INSTALLATION

P/N: P-RIT-50-V1/2



Place the Isolated Transformer and power supply lightning protector close to the controller. Supply a good ground otherwise the protection is ineffective.



- The Isolated Transformer Input is connected to the power lines, the GND wire is connected to the body.
- The Isolated Transformer Output is connected to the RPLP-1 **UNPROTECTED** side. Connect the RPLP's grounding to Screw #4 on the transformer.
- Connect the protected side of the RPLP-1 **only** to the controller power terminal. Don't connect this phase to the relays

In the RPLP-1 the protected and unprotected wires must go through separate holes. Maintain a distance of at least 1 inch (2.5 cm) between protected and unprotected wires.

NOTE: The control phase to the relays should take from the INPUT side of the Isolated Transformer.
 Don't jumper the first contact of the relays output to the power terminal of the controller since you will jumper the RPLP-1 and the Isolated Transformer.

Specifications

Primary voltage	Input: 230 V / 50 Hz
	Output: 20 mA at 230 VAC / 50 Hz
Secondary	No load voltage: 3%
	Full load voltage: 0 - 183 Vac 0.21A load
Temperature Rise	50° C (max) @ 25° ambient temperature
Induced Voltage :	Primary input 460vac / 400hz for 15 seconds
Hi-Pot Test :	2200 VAC/ 3 mA x 1 minute primary & secondary
Hi-Pot Test :	1000 VAC/ 3 mA x 1 minute primary, secondary, & core
Insulation Resistance	500 VDC x 100 Ω x 1 minute primary & secondary
Lead Tensile Test	Leads must be able to withstand a pull of 1.5kg for 15 seconds.