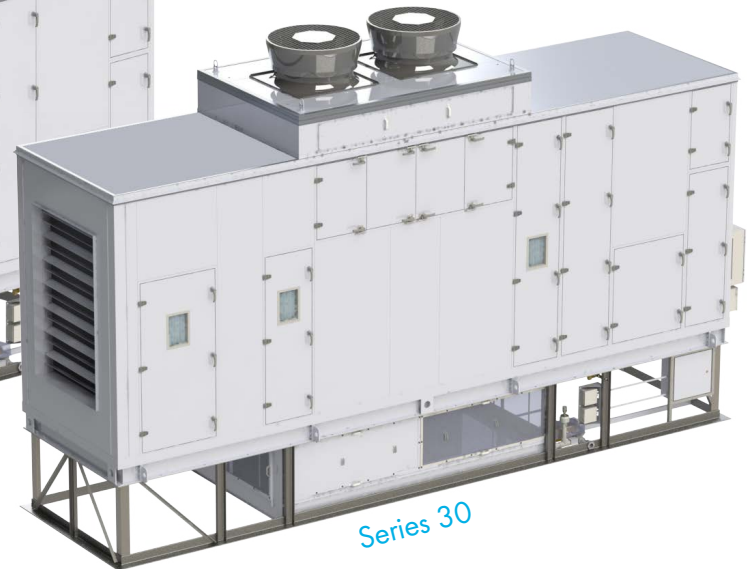
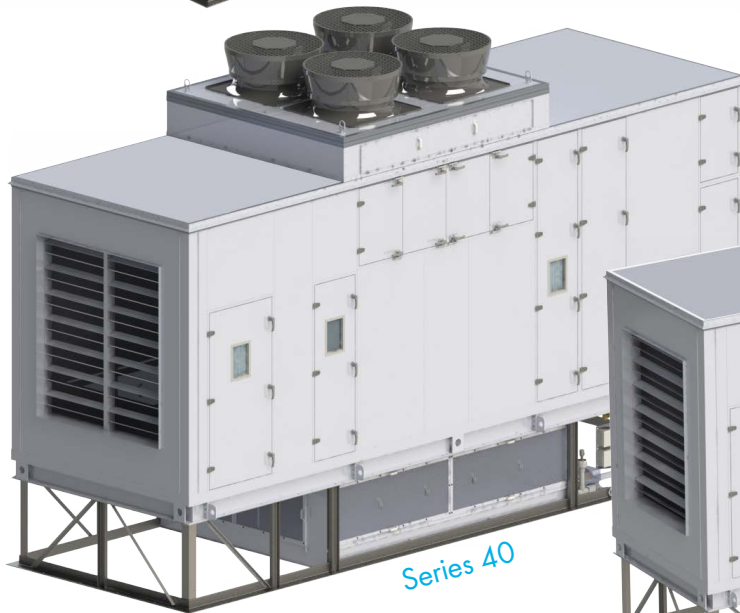


Oasis® Standard Configurations



Indirect Air-Side Economizer with Indirect Evaporative Cooling (IEC)

- Up to 450kW cooling capacity per unit
- 3 modes of cooling: Dry HX, IEC, IEC + trim DX
- 100% Recirculation Air Cooling
- Munters polymer tube heat exchanger technology
- Configurable design
- Reduced peak operating kW
- Low annual pPUE



Munters Oasis® indirect air-side economizer with IEC provides energy efficient data center heat rejection and low total cost of ownership.

Oasis units use Munters patented Evaporative Polymer Exchanger (EPX). This heat exchanger uses a unique polymer tube design that provides efficient heat rejection while operating dry or wet (IEC mode). Munters EPX unique elliptical polymer tubes flex slightly during normal operation, shedding mineral scale that can accumulate during the indirect evaporative process. The Oasis indirect evaporative cooling product line can significantly reduce refrigeration usage and installed capacity in virtually all climates, reducing connected electrical load and compressor maintenance.

Munters is a trusted leader in data center cooling technologies, and we make it our goal to provide reliable and efficient solutions that maximize energy savings for our customers.

Munters Corporation

www.munters.com / E-mail: datacenters@munters.com



Munters

Your Perfect Climate

Oasis® Performance Table

Unit	Up to <kW	Dimensions LxWxH (in.)	Airflow up to <CFM
Oasis 30	190	300 x 78 x XX*	30,000
Oasis 40	250	300 x 98 x XX*	40,000
Oasis 60	375	300 x 140 x XX*	60,000

XX* is variable based on connection options chosen

Options

- Trim DX or chilled water supplemental cooling
- Mirror access models
- Modbus or BACnet controls
- Multiple airflow configurations
- Roof or slab mounted options
- Supply and return air isolation dampers
- Scavenger air low ambient control dampers
- EC motor-driven process and scavenger fans
- Corrosion resistant coating on condenser coils
- Automatic transfer switch

Three modes of operation:

Dry mode 1

Evaporative Polymer Exchanger (EPX) operates as a dry air-to-air heat exchanger with warm data hall air passing through the inside of polymer tubes and cool ambient air flowing over the exterior of tubes.

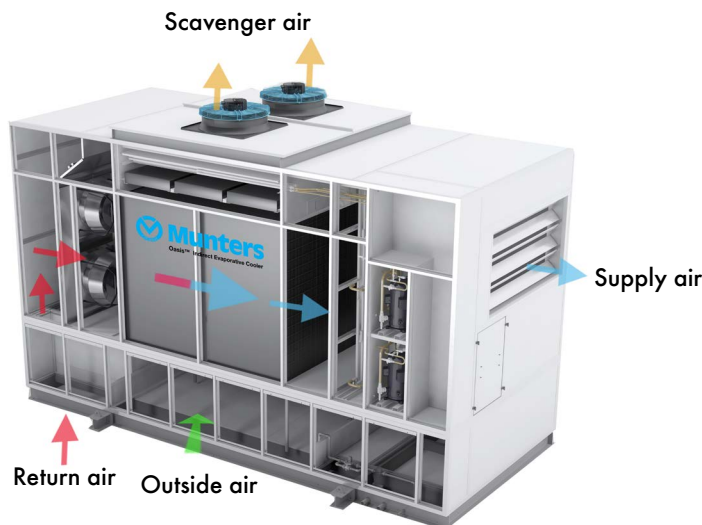
Wet mode 2

Exterior of EPX tubes are wetted by spray nozzles, with “scavenger” air flowing over wet tubes to extract data center heat.

DX Cooling mode 3

Supplementary DX or chilled water cooling after EPX for extreme conditions.

Oasis® 30 with DX Cooling mode 3



Munters Oasis® indirect air-side economizer units use an indirect evaporative cooling process to reject data center heat using cooler ambient wet bulb conditions, which creates the most significant economizer cooling potential.

- Dry operation below 50 deg. F (depending on operating parameters)
- Evaporatively cooled condenser for improved DX operation
- Reduction or elimination of mechanical cooling load (DX)
- Reduction in peak operating KW (vs. dry solutions)
- Annualized Mechanical PUE 1.1-1.15
- The most efficient packaged cooling system available



Australia Phone +61 2 8843 1588, dh.info@munters.com.au Austria Phone +43 1 6164298-0, luftentfeuchtung@munters.at Belgium Phone +32 1528 5611, info@muntersbelgium.be Brazil Phone +55 41 3317 5050, munters@com.br Canada Phone +1 905 858 5894, dhinfo@munters.com China Phone +86 10 8041 8000, info@munters.com.cn Czech Republic Phone +420 544 211 434, info@munters-odvlhcovani.cz Denmark Phone +45 4495 3355, info@munters.dk Finland Phone +358 20 776 8230, laitemyynit@munters.fi France Phone +33 1 3411 5757, dh@munters.fr Germany Phone +49 4087 96900, mgd@munters.de India Phone +91 20 668 18 900, info@munters.in Italy Phone +39 0183 52 11, marketing@munters.it Japan Phone +81 3 5970 0021, mkk@munters.co.jp Korea Phone +82 2761 8701, munters@munters.co.kr Mexico Phone +52 722 270 40 49, munters@munters.com.mx Netherlands Phone +31 172 433231, vochtbeheersing@munters.nl Poland Phone +48 58305 3517, dh@munters.pl Singapore Phone +65 6744 6828, info@munters.com.sg South Africa Phone +27 11 997 2000, info@munters.co.za Spain Phone +34 91 640 09 02, marketing@munters.es Sweden Phone +46 8 626 63 00, avfuktning@munters.se Switzerland Phone +41 52 343 8886, info.dh@munters.ch Thailand Phone +66 2642 2670, info@munters.co.th Turkey Phone +90 216 548 1444, info@muntersform.com UAE +971 4887 6462, middle.east@munters.com United Kingdom Phone +44 1480 432243, info@munters.co.uk USA Phone +1 978 241 1100, dhinfo@munters.com Vietnam Phone +84 8 8256 838, vietnam@muntersasia.com