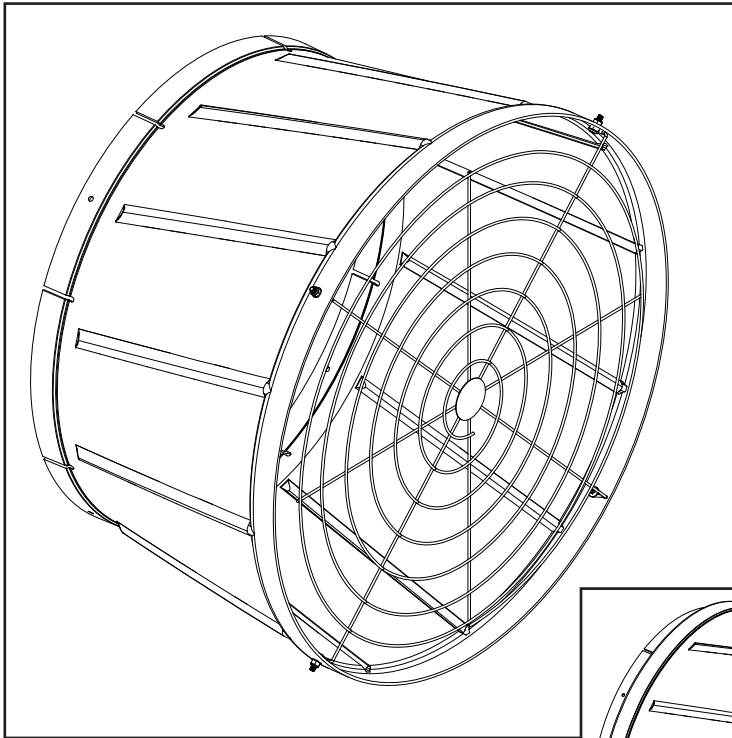
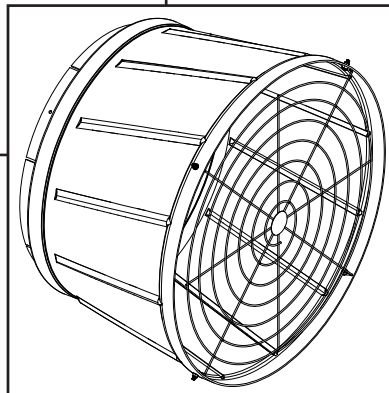


# Instruction Manual

## Discharge Cone "RC" Series for 14" - 26" Fans



26RC



24RC

## "RC" Series Discharge Cones

Models: 14RC • 16RC • 18RC • 24RC • 26RC



# "RC" Series Discharge Cones 14", 16", 18", 24" & 26" Fans

## Instructions for Use and Maintenance

### Thank You:

Thank you for purchasing a Munters RC Discharge Cone. Munters equipment is designed to be the highest performing, highest quality equipment you can buy. With the proper installation and maintenance it will provide many years of service.

### Please Note:

To achieve maximum performance and insure long life from your Munters product it is essential that it be installed and maintained properly. Please read all instructions carefully before beginning installation.

### Warranty:

For Warranty claims information see the "Warranty Claims and Return Policy" form QM1021 available from the [Munters Corporation office at 1-800-227-2376](http://Munters Corporation) or by e-mail at [aghort.info@munters.com](mailto:aghort.info@munters.com).

### Conditions and Limitations:

- Products and Systems involved in a warranty claim under the "Warranty Claims and Return Policy" shall have been properly installed, maintained and operated under competent supervision, according to the instructions provided by Munters Corporation.
- Malfunction or failure resulting from misuse, abuse, negligence, alteration, accident or lack of proper installation or maintenance shall not be considered a defect under the Warranty.

# Index

Chapters	Page
1. Unpacking the Equipment	4
1.1 Parts List	4
1.2 Cone Dimensions	5
2. Installation Instructions	6-8
2.1 Install	6
2.2 14" - 18" Guards	7
2.3 24" - 26" Guards	8
3. Winterizing	9
3.1 Winterizing	9
3.2 Winter Weather Protection	9
4. Exploded View and Parts List	10

# Unpacking the Equipment

# 1.

Before beginning installation, check the overall condition of the equipment. Remove packing materials, and examine all components for signs of shipping damage. Any shipping damage is the customer's responsibility and should be reported immediately to your freight carrier. Fan is shipped complete with all accessories.

## 1.1 Parts List

Each Cone includes:

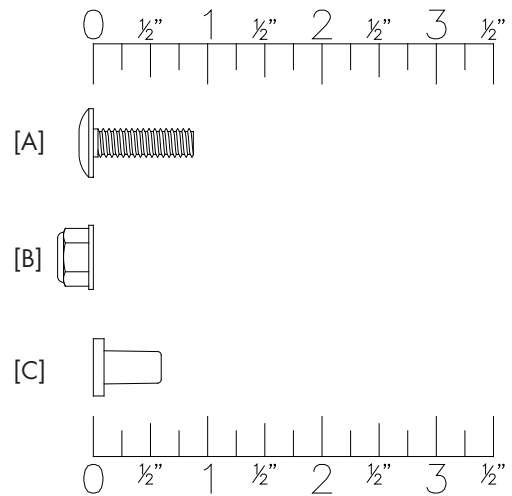
- 1 - Discharge Cone, round-to-round
- 1 - PVC Coated Guard
- 1 - Hardware Package as follows:

### HP1143 - 14"-26" RC Cones

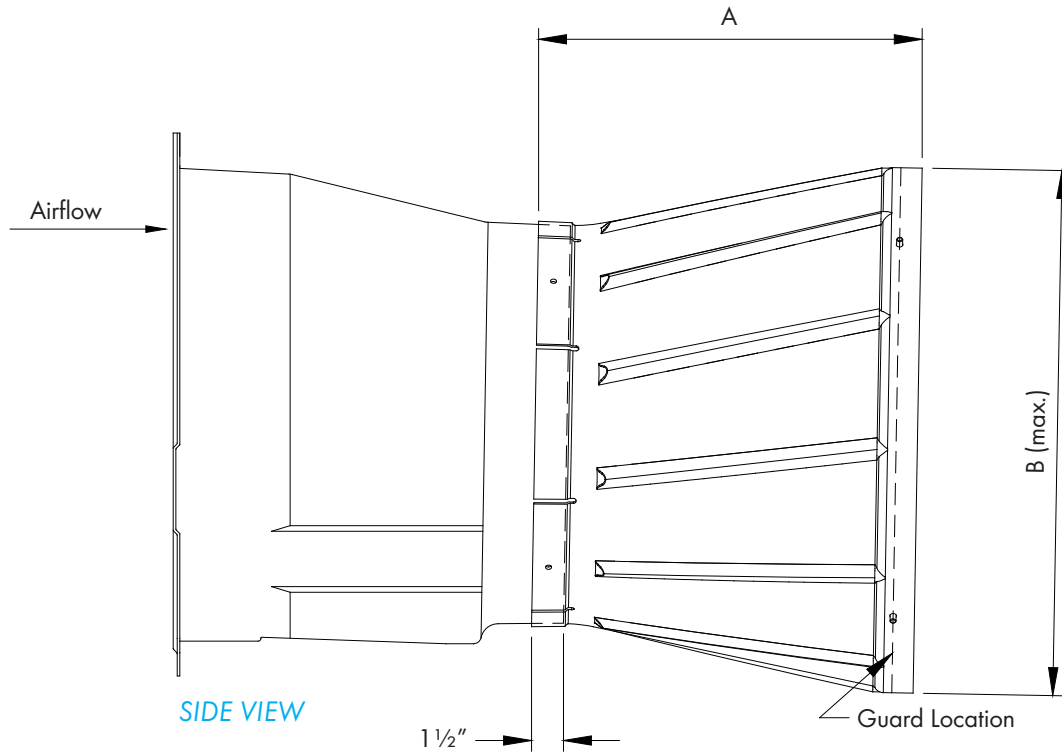
ID	Qty.	Cat. No.	Description
[A]	8	KS0650	1/4"-20 x 7/8" Truss Head Bolt, SS
[B]	8	KN1717	1/4"-20 Hex Flange, Nylock Nut, SS

### HP1144 - 14"-18" RC Cones

[C]	4	KX1204	End Caps, Yellow Plastic
-----	---	--------	--------------------------



## 1.2 Fan Dimensions



CAT. NO.	FAN DIA.	A	B
14RC	14"	17½"	22¾"
16RC	16"	16"	22¾"
18RC	18"	18"	24 <sup>11</sup> / <sub>16</sub> "
24RC	24"	21"	32 <sup>3</sup> / <sub>16</sub> "
26RC	26"	19"	32 <sup>3</sup> / <sub>16</sub> "

# Installation Instructions

# 2.

## 2.1 Install

### Note:

This Discharge Cone is designed to mount on the outlet of a Munters Fan for increased airflow and to support an exhaust guard. A shutter or guard must be mounted on the fan inlet.

### Step 1

Remove cone and guard from shipping cartons.

### Step 2

Slip Cone over fan outlet. *See Figure 1.* Cone is designed to be a press fit and may require pushing from the inside to expand it over fan outlet.

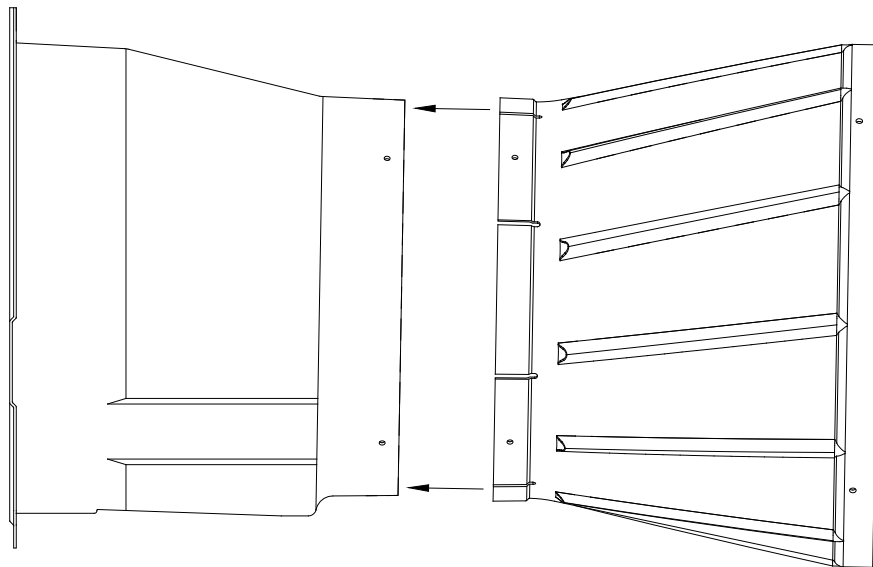


Figure 1

### Step 3

Rotate Cone to align with holes in fan outlet. Attach cone to fan outlet by inserting (4) Bolts [A] from inside and secure with (4) Nuts [B] on outside. *See Figure 2.*

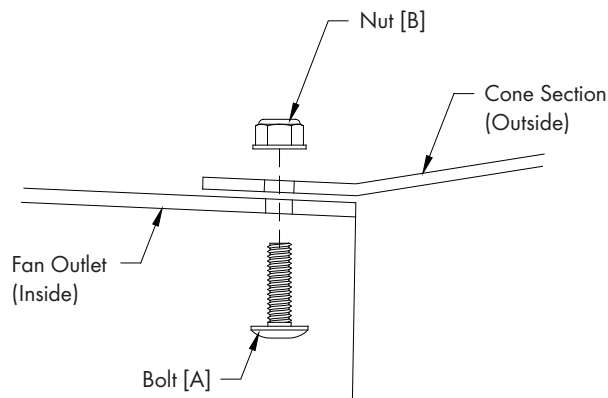


Figure 2

## 2.2 14" - 18" Guards

### Step 4

For 14" - 18" Guards, Install one plastic End Cap [C] on each extended wire of guard (4 total).  
See Figure 3 and 4.

### Step 5

Mount PVC coated guard in cone by inserting extended wires with plastic caps through holes in cone.  
See Figure 5.

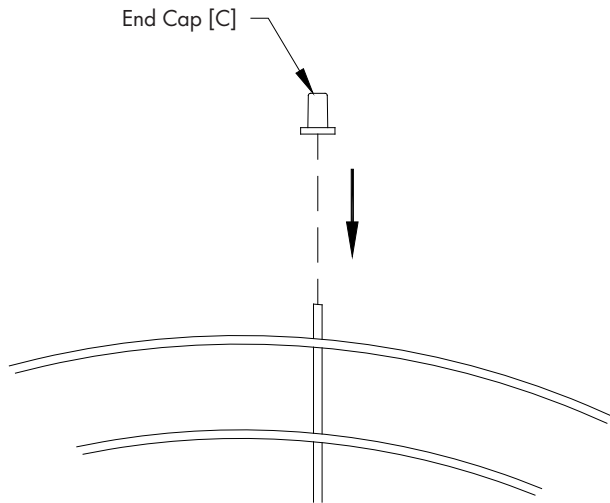


Figure 3

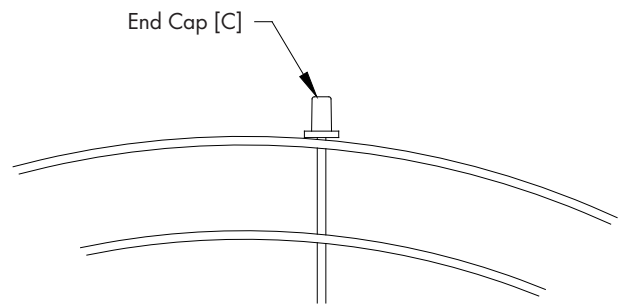


Figure 4

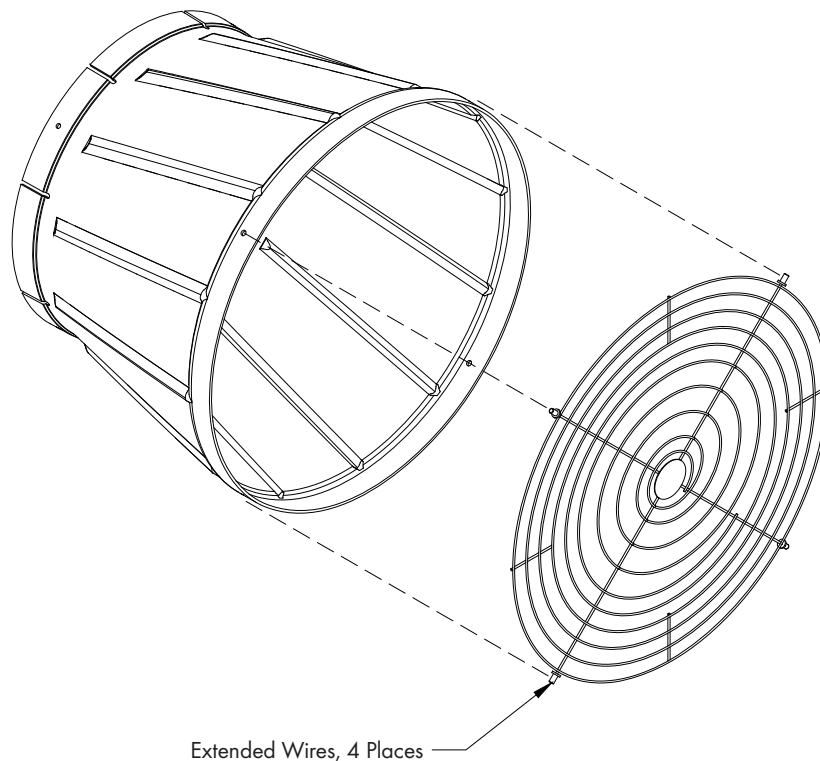


Figure 5

### 2.3 24" - 26" Guards

#### Step 6

Insert guard into cone with the guard eyelets facing away from you. Line-up each eyelet with hole in cone and secure with (4) Bolts [A] and Nuts [B]. See Figure 6.

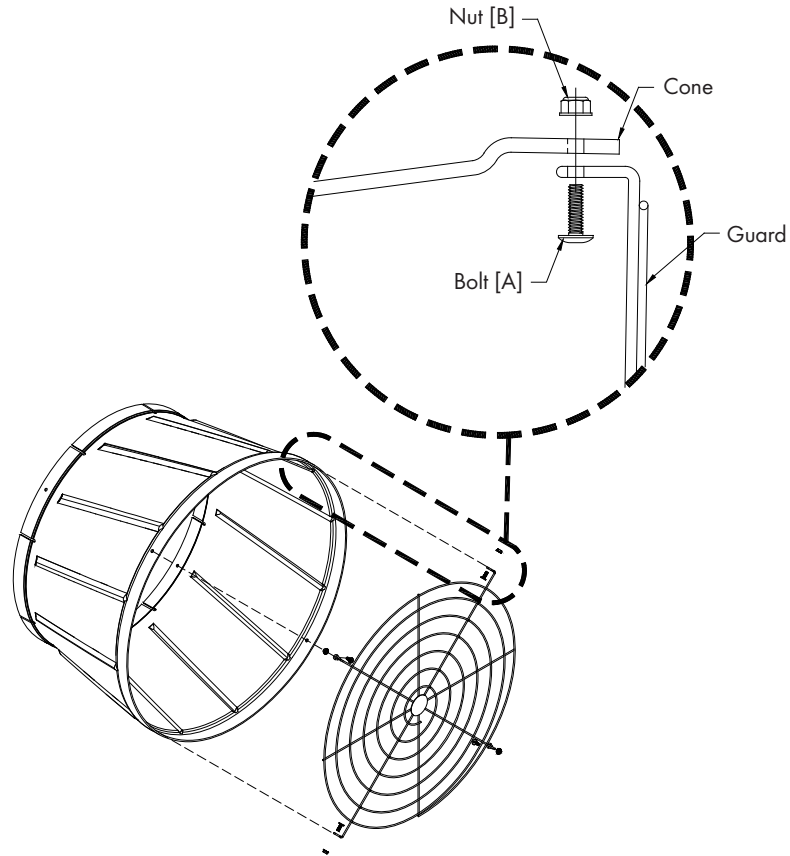


Figure 6



## 3.1 Winterizing

In most climates, it is probable that the ventilation system will never need to operate at a total capacity during the colder winter months. Consequently, it is advisable to “winterize” those fans which will not be used in cold weather to avoid unnecessary heat loss and condensation.

To winterize, turn fan control “off”. Install the insulated closure panel over the fan intake. If you don’t have an insulated closure panel, a piece of rigid insulation material can be used. Remember the insulation panel must be removed before warmer weather returns.

**NOTE:** At least one single speed fan should be left uncovered and with power available to provide air movement in the event of variable speed control difficulties.

## 3.2 Winter Weather Protection

To prevent cone or fan damage from snow or ice sliding off building roof, weather protection must be provided. A weather shelter may be constructed to cover the entire fan, *See Figure 7*, or snow guards may be placed on the roof, *See Figure 8*.

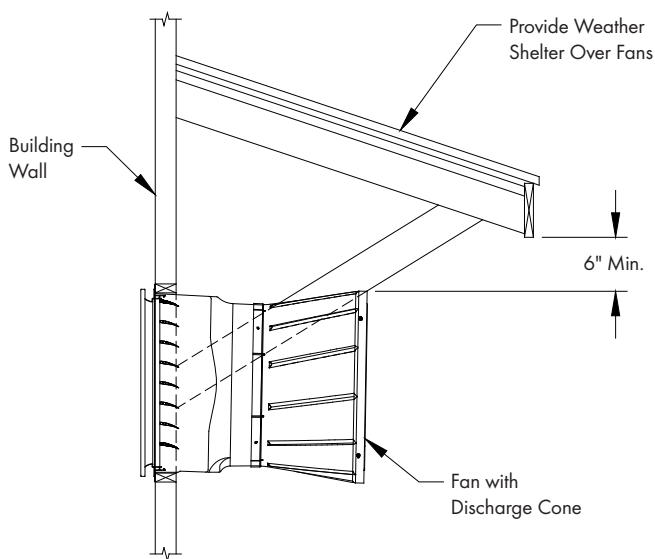


Figure 7

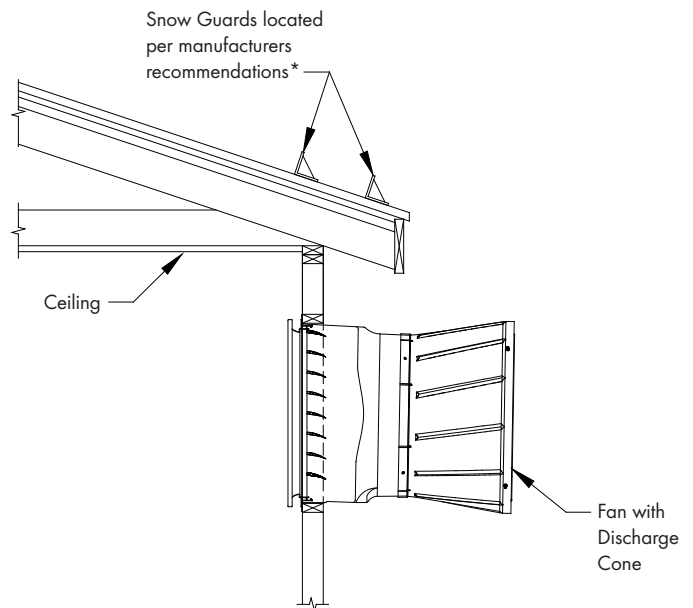


Figure 8

### \* Snow Guard Suppliers

Company Name	Phone No.	Fax No.	Web Site
Snojax, Inc.	800-766-5291	717-697-2452	www.snojax.com
Polar Blox	800-298-4328	814 629-9090	www.polarblox.com
LM Curbs	800-284-1412	903 759-3598	www.lmcurbs.com
Alpine Snow Guards	888-766-4273	888-766-9994	www.alpinesnowguards.com



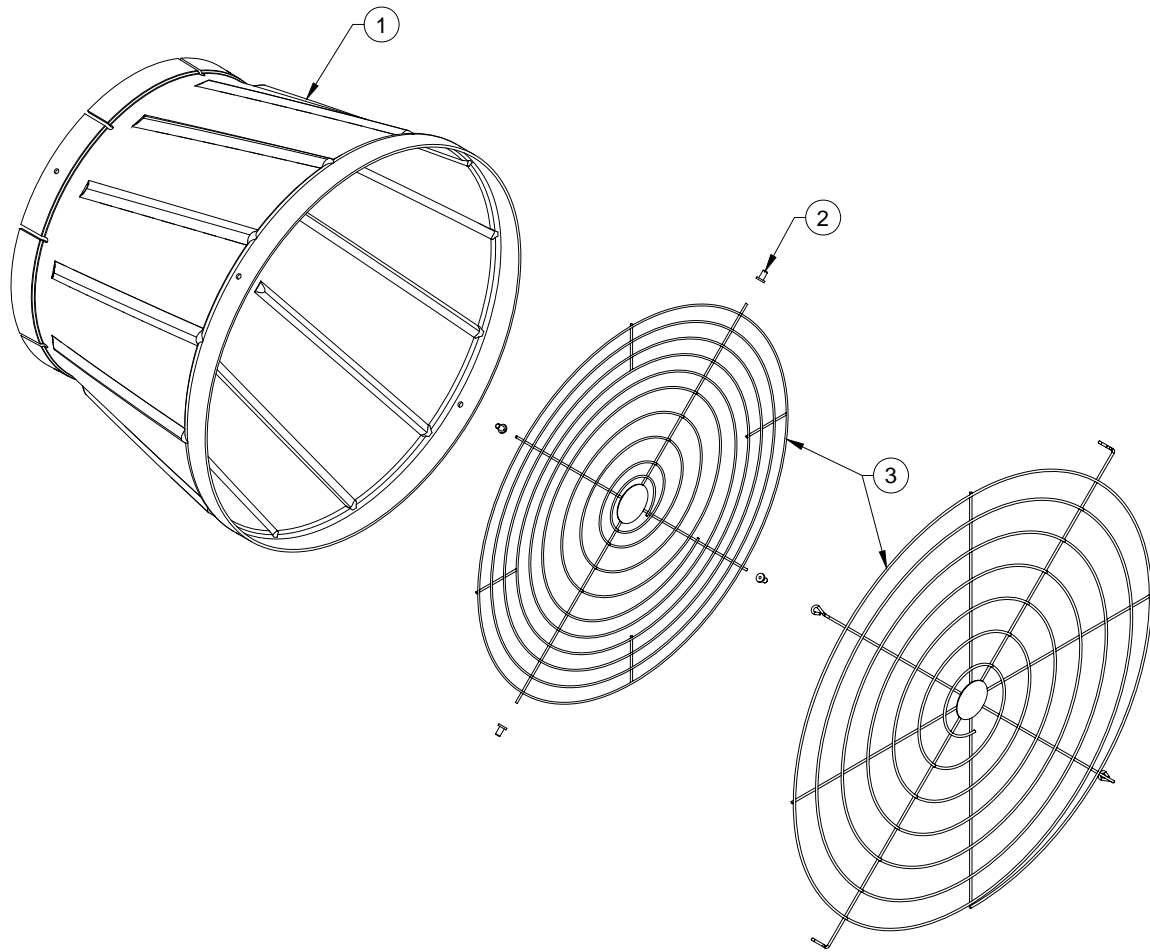
### IMPORTANT

Munters Product and System Warranties do not cover cone or fan damage from external sources.

**Note:** Snow guards are designed to prevent sudden, dangerous snow and ice slides when attached to the building roof according to manufacturers recommendations. The supplier listing above is given as a reference only. Munters does not endorse any specific snow guard product and no performance warranty is implied.

# Exploded View and Parts List

# 4.



Item	Catalog No.	Description	Qty.
1	FH3514	14" Discharge Cone, PL	1
	FH3516	16" Discharge Cone, PL	1
	FH3518	18" Discharge Cone, PL	1
	FH3524	24" Discharge Cone, PL	1
	FH3526	26" Discharge Cone, PL	1
2	KX1204	End Cap with Flange, $\frac{9}{64}$ " I.D. x $1\frac{1}{32}$ "L., (14" - 18" only)	4
3	FH1236	Guard for 14/16RC Cone, PVC Coated wire	1
	FH1237	Guard for 18RC Cone, PVC Coated wire	1
	FH1326	Guard for 24/26RC Cone, PVC Coated wire	1

**This page left blank intentionally**

14", 16", 18", 24", 26" 'RC' Cone is developed and produced by Munters Corporation, Lansing, Michigan U.S.A. 1-800-227-2376



Munters Europe AB, Isafjordsgatan 1, P.O. Box 1150, SE-164 26 Kista, Sweden. Phone +46 08 626 63 00, Fax +46 8 754 56 66.

Munters Corporation 2691 Ena Drive Lansing, MI 48917 U.S.A. Phone +1 800-227-2376, Fax +1 517-676-7078

[www.munters.us](http://www.munters.us)

**Australia** Munters Pty Limited, Phone +61 2 6025 6422, **Brazil** Munters Brasil Industria e Comercio Ltda, Phone +55 41 3317 5050, **Canada/US** Munters Corporation Lansing, MI Phone +1 517 676 7070, **China** Munters Air Treatment Equipment (Beijing) Co. Ltd, Phone +86 10 80 481 121, **Denmark** Munters A/S, Phone +45 9862 3311, **India** Munters India, Phone +91 20 3052 2520, **Indonesia** Munters, Phone +62 818 739 235, **Italy** Munters Italy S.p.A., Chiusavecchia, Phone +39 0183 52 11, **Japan** Munters K.K., Phone +81 3 5970 0021, **Korea** Munters Korea Co. Ltd., Phone +82 2 761 8701, **Mexico** Munters Mexico, Phone +52 818 262 54 00, **Russia** Munters AB, Phone +7 812 448 5740, **Singapore** Munters Pte Ltd., Phone +65 744 6828, **South Africa and Sub-Sahara Countries** Munters (Pty) Ltd., Phone +27 11 997 2000, **Spain** Munters Spain S.A., Phone +34 91 640 09 02, **Sweden** Munters AB, Phone +46 8 626 63 00, **Thailand** Munters Co. Ltd., Phone +66 2 642 2670, **Turkey** Munters Form Endüstri Sistemleri A.Ş, Phone +90 322 231 1338, **USA** Munters Corporation Lansing, MI Phone +1 517 676 7070, **Vietnam** Munters Vietnam, Phone +84 8 3825 6838, **Export & Other countries** Munters Italy S.p.A., Chiusavecchia Phone +39 0183 52 11