



- Optimized orifice and propeller design maximizes airflow and centerline velocity
- High quality variable speed motor
- Integrated 4-point mounting hardware enables flexibility in installation, can be easily moved for cleaning, storage, and post-flock maintenance
- The patent pending chevron design on the outlet is engineered to reduce sound levels
- Corrosion-resistant orifice
- Optional guard kit available

## Maximized centerline velocity and airflow

The CX24 is the ideal circulation fan for layer and grower applications due to the corrosion-resistant components and powerful performance. The advanced design of the CX24 housing produces a large volume of air and a higher centerline velocity, providing you with more control over the air movement in your barn versus basket style fans. This allows you to direct the air to where you need it to reduce hot/cold spots, creating ideal bird distribution helping to reduce litter moisture to maintain a healthier flock.

Mounting the CX24 is easy with the integrated four-point hanging hardware. The four mounting points are built into the fan, along with a unique pull bar which enables flexibility in the fan's positioning for your specific application needs

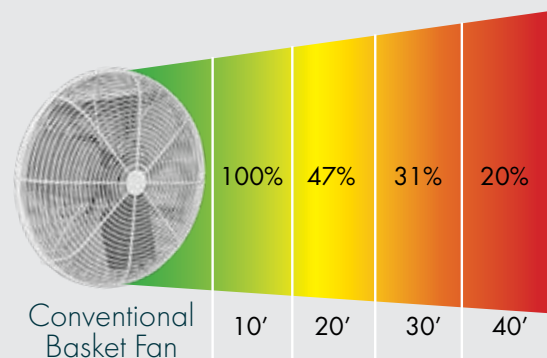
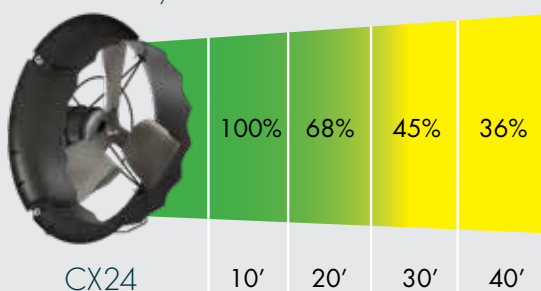
while allowing the fans to be quickly and easily stored for post-flock maintenance. The fan can be hung by cables or used with an additional bracket to mount easily in any position.

The CX24 also has features to reduce the noise levels in the building. The patent-pending chevron feature on the outlet of the fan reduces the peaks in noise levels which reduces stress on the flock.

The benefits the farmer can see by using circulation fans are many: Studies show that the use of circulation fans results in more stable house temperatures and better bird distribution while reducing litter moisture and ammonia. This leads to a reduction of up to 20% in paw lesions and improved feed conversion rates.



### Higher Centerline Velocity Percent of Airflow Velocity

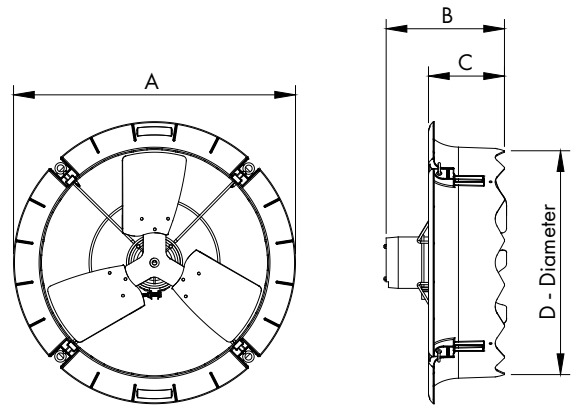


# Circulation Fan CX24



## Dimensions

SKU	Fan Diameter	Number of Blades	A	B	C	D - Diameter (O.D.)
CX24P1/3	24"	3	30 $\frac{3}{4}$ "	12 $\frac{1}{8}$ "	8 $\frac{1}{4}$ "	24 $\frac{3}{4}$ "



## Performance Data

SKU	Thrust (lbf)	Efficiency Ratio (lbf/kw)	Volts	Amps	kW	Airflow (thrust cfm)	Efficacy (thrust cfm/w)	5 x D Centerline Velocity (fpm)	BESS Lab Test #
Single Phase Motor: 1/8 HP, 115/208-230V CX24P1	6.34	18.2	230.1	1.65	0.349	5640	16.2	1120	c20283
Three Phase Motor: 1/8 HP, 208-230/460V CX24P3	6.78	18.1	225	1.59	0.375	5820	15.5	1210	c20280

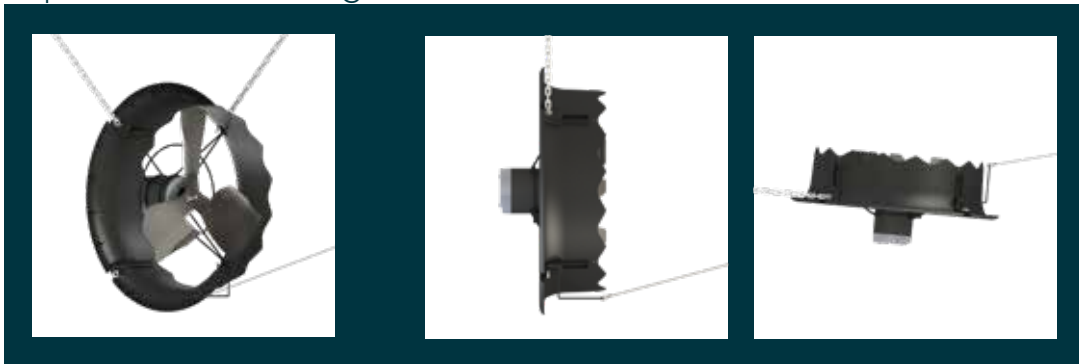
## Munters Design



Munters unique chevron design\* is engineered to minimize specific frequencies generated by the fan blades, reducing noise of the fan in order to provide a comfortable environment for the livestock. Acoustic testing performed in certified, a semi-anechoic chamber to isolate specific frequencies and optimize the design for maximum noise reduction.

\*Patent Pending

## Operation & Storage



## Guard Kit Available

