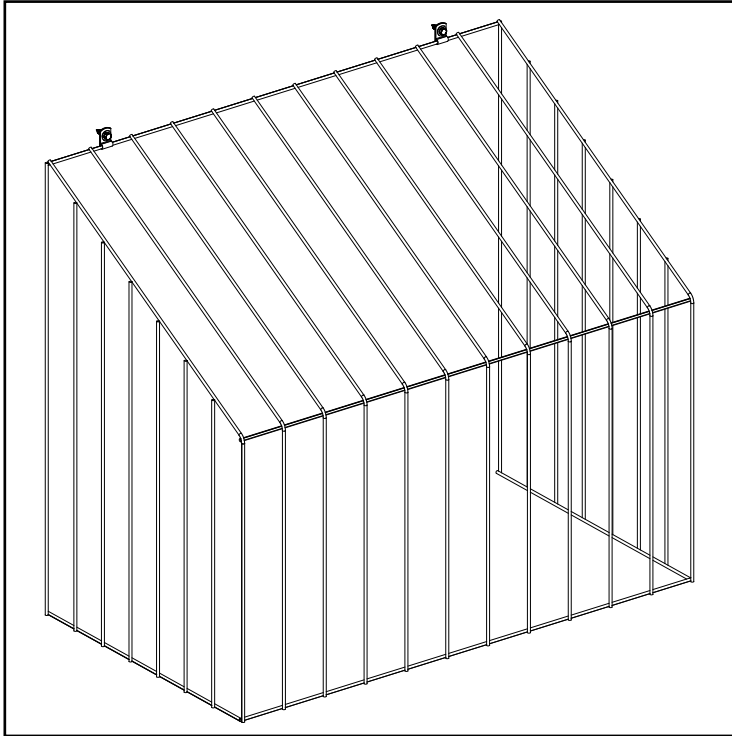


Instruction Manual



ZEWP2900 Bird Guard

ZEWP2900 Bird Guard

Models: AC4042 and HP1742



AC4042 ZEWP2900 Bird Guard

Instructions for Use and Maintenance

Thank You:

Thank you for purchasing a Munters ZEWP2900 Bird Guard. Munters equipment is designed to be the highest performing, highest quality equipment you can buy. With the proper installation and maintenance it will provide many years of service.

Please Note:

To achieve maximum performance and insure long life from your Munters product it is essential that it be installed and maintained properly. Please read all instructions carefully before beginning installation.

Warranty:

For Warranty claims information see the "Warranty Claims and Return Policy" form QM1021 available from the [Munters Corporation office at 1-800-227-2376 or by e-mail at aghort.info@munters.com](mailto:aghort.info@munters.com).

Conditions and Limitations:

- Products and Systems involved in a warranty claim under the "Warranty Claims and Return Policy" shall have been properly installed, maintained and operated under competent supervision, according to the instructions provided by Munters Corporation.
- Malfunction or failure resulting from misuse, abuse, negligence, alteration, accident or lack of proper installation or maintenance shall not be considered a defect under the Warranty.

Index

Chapters	Page
1. Unpacking the Equipment	4
1.1 Parts List	4
1.2 Dimensions	4
2. Installation Instructions	5

Unpacking the Equipment

1.

Before beginning installation, check the overall condition of the equipment. Remove packing materials, and examine all components for signs of shipping damage. Any shipping damage is the customer's responsibility and should be reported immediately to your freight carrier.

1.1 Parts List

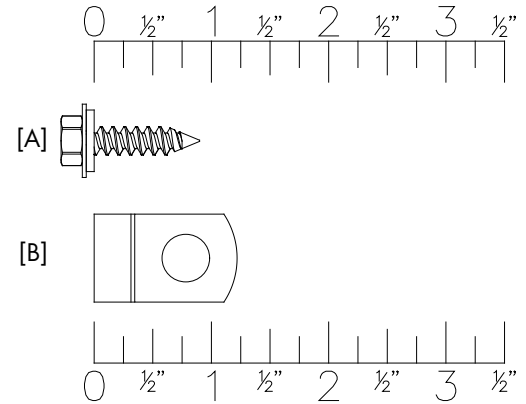
Both Bird Guard and Hardware Package must be ordered separately.

Each AC4042 ZEWP2900 Bird Guard includes:

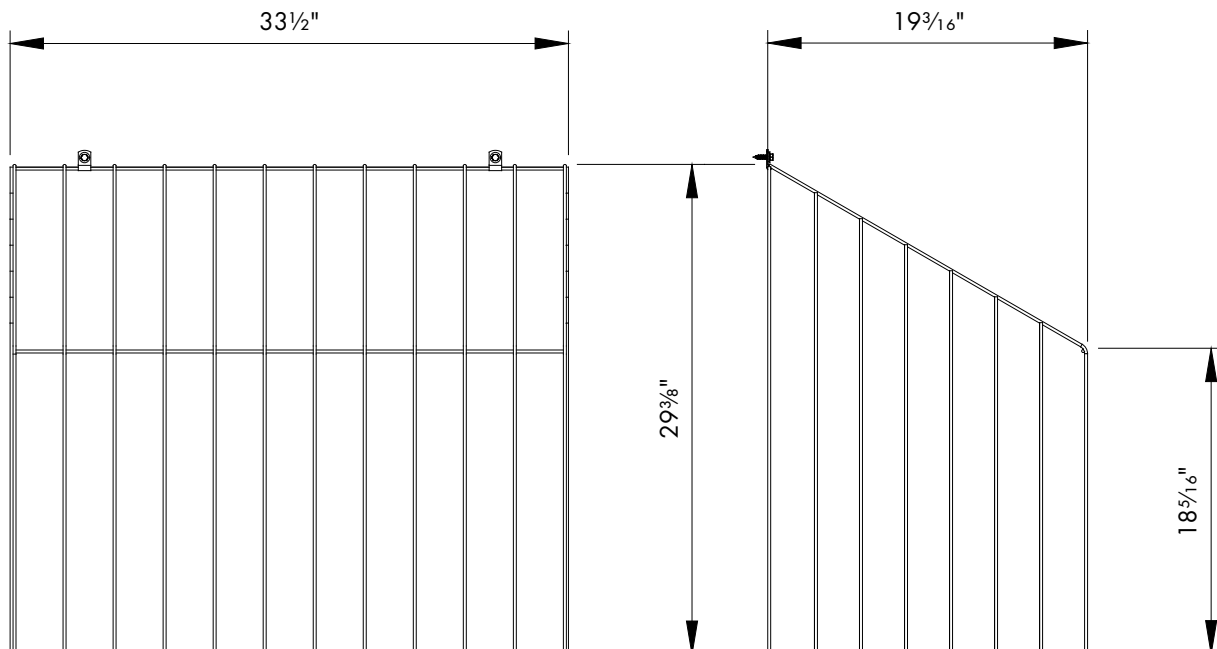
1 - Bird Guard, PWDCTD BLK

Each HP1742 Hardware Package includes:

ID	Qty.	Cat. No.	Description
[A]	2	KS1404	#10-14 x 1" SealWasher Pole Barn Screw
[B]	2	KX1135	¼"ID, 1 ⁵ / ₁₆ "L. Steel Loop Clamp, GZ



1.2 Dimensions



Installation Instructions

2.

2.1 Guard Installation

Step 1

Manually operate the inlet actuator until the inlets are closed. When the inlet is closed, unhook the lift line from the lift arm on the inlet by loosening the large blue nut on the end of the lift arm. *See Figure 1.*

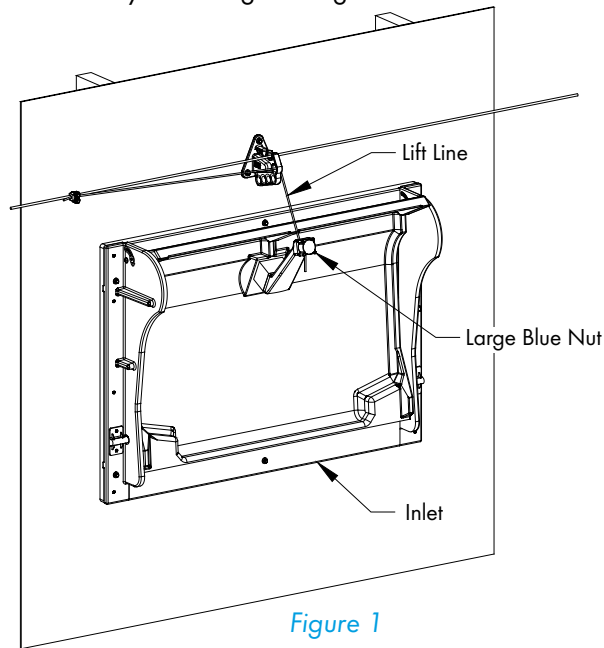


Figure 1

Step 2

In 2 places on the top wire of the Bird Guard, one position in from the left and one position in from the right, slide a Loop Clamp [B] over the top wire. The Loop Clamps [B] must be positioned so that the screws for clamps are mounted in frame member. The horizontal placement of the clamps may be adjusted as necessary. Place the Bird Guard over the inlet and hold it up $4\frac{1}{4}$ " above the top of the inlet and secure in place using (2) Polebarn Screws [A] through the Loop Clamps [B]. *See Figure 2.*

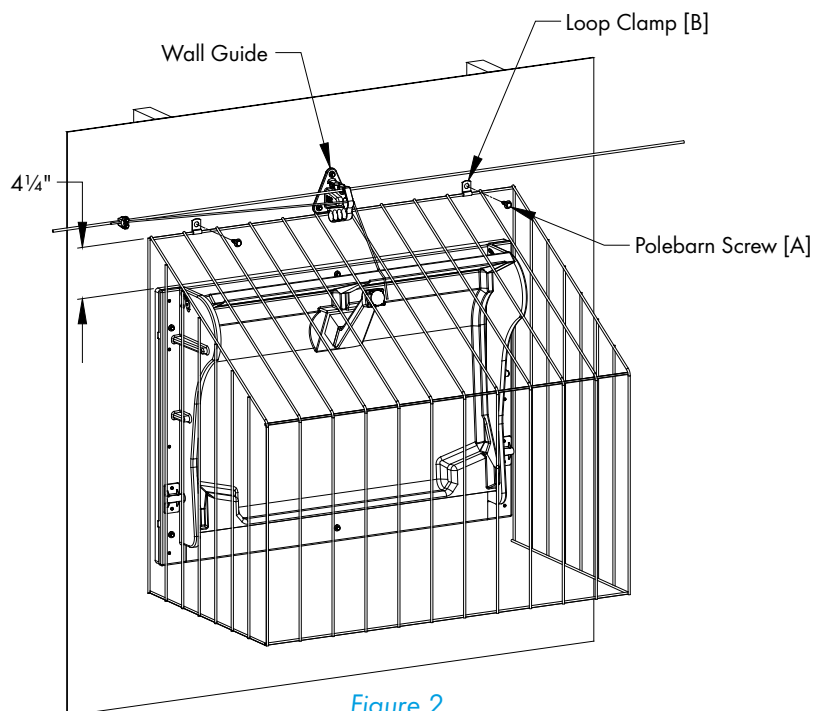


Figure 2

Step 3

Feed the Lift Line through the Bird Guard and reattach to the Lift Arm and secure with the Large Blue Nut. See Figure 3.

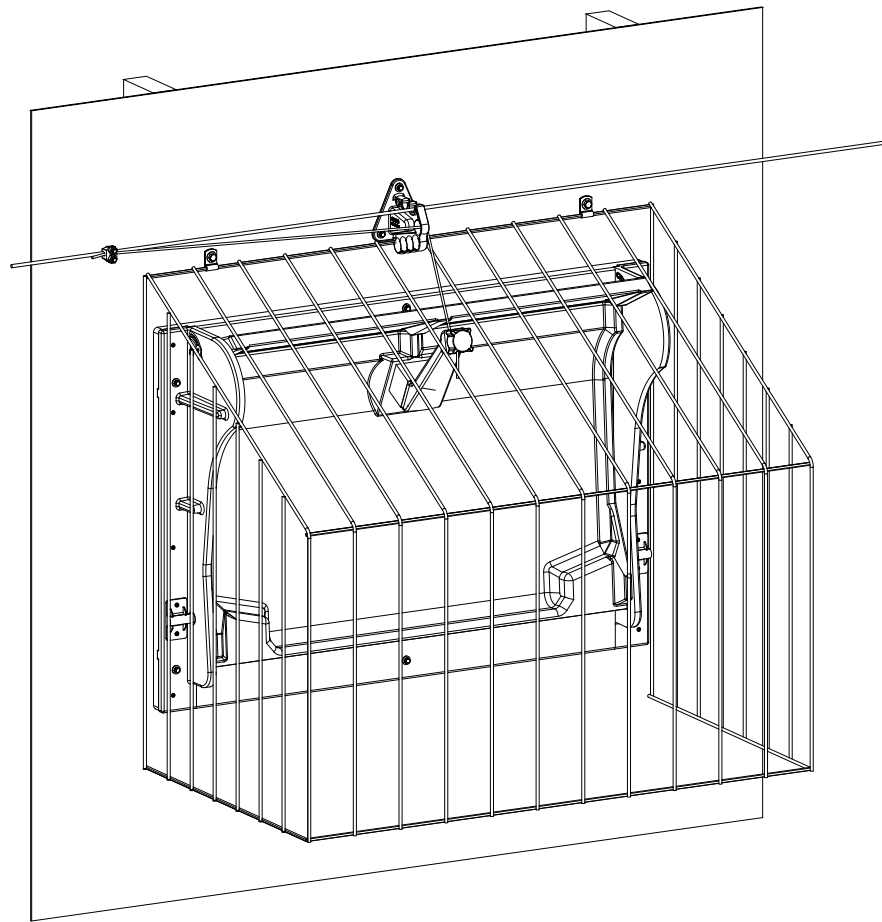


Figure 3

Step 4

Ensure that the inlet door opens and closes through its full range of motion and does not interfere with the Bird Guard.

This page left blank intentionally

ZEWP2900 Bird Guard is developed and produced by Munters Corporation, Lansing, Michigan U.S.A. 1-800-227-2376



Munters Europe AB, Isafjordsgatan 1, P.O. Box 1150, SE-164 26 Kista, Sweden. Phone +46 08 626 63 00, Fax +46 8 754 56 66.

Munters Corporation 2691 Ena Drive Lansing, MI 48917 U.S.A. Phone +1 800-227-2376, Fax +1 517-676-7078

www.munters.us

Australia Munters Pty Limited, Phone +61 2 6025 6422, **Brazil** Munters Brasil Industria e Comercio Ltda, Phone +55 41 3317 5050, **Canada/US** Munters Corporation Lansing, MI Phone +1 517 676 7070, **China** Munters Air Treatment Equipment (Beijing) Co. Ltd, Phone +86 10 80 481 121, **Denmark** Munters A/S, Phone +45 9862 3311, **India** Munters India, Phone +91 20 3052 2520, **Indonesia** Munters, Phone +62 818 739 235, **Italy** Munters Italy S.p.A., Chiusavecchia, Phone +39 0183 52 11, **Japan** Munters K.K., Phone +81 3 5970 0021, **Korea** Munters Korea Co. Ltd., Phone +82 2 761 8701, **Mexico** Munters Mexico, Phone +52 818 262 54 00, **Russia** Munters AB, Phone +7 812 448 5740, **Singapore** Munters Pte Ltd., Phone +65 744 6828, **South Africa and Sub-Sahara Countries** Munters (Pty) Ltd., Phone +27 11 997 2000, **Spain** Munters Spain S.A., Phone +34 91 640 09 02, **Sweden** Munters AB, Phone +46 8 626 63 00, **Thailand** Munters Co. Ltd., Phone +66 2 642 2670, **Turkey** Munters Form Endüstri Sistemleri A.Ş, Phone +90 322 231 1338, **USA** Munters Corporation Lansing, MI Phone +1 517 676 7070, **Vietnam** Munters Vietnam, Phone +84 8 3825 6838, **Export & Other countries** Munters Italy S.p.A., Chiusavecchia Phone +39 0183 52 11