



EC FAN UPGRADES

Munters Global Services



Pre Upgrade example



Post Upgrade example

EC Fan Upgrades for
Dehumidifiers & Air Handling Units (AHU's)



ABOUT EC FANS

Energy efficiency has become an integral part of building services design, maintenance and upgrade. Many organisations overlook air handling units (AHU's) when looking to save energy. Upgrading AHU's with plug fans using EC motor technology can realise significant savings in energy, maintenance and more.



ADVANTAGES & BENEFITS:

- Reduce energy consumption by up to 75%
- Reduce running costs
- Saving on labour and maintenance costs
- No more belts to change
- No more bearings to grease
- Reduce CO2 emissions - help meet targets
- Improve speed control
- Save costs by modulating fan speed
- Upgrading instead of replacing AHU's saves time, money and resources

FEATURES INCLUDE:

- High fan efficiency
- CO2 level monitoring
- High performance impeller design
- Low noise emissions
- Low vibration
- Robust and reliable design
- Easy connection with safe start up
- Redundancy due to several fans running in parallel



Fan mounted in AHU

Fan Introduction

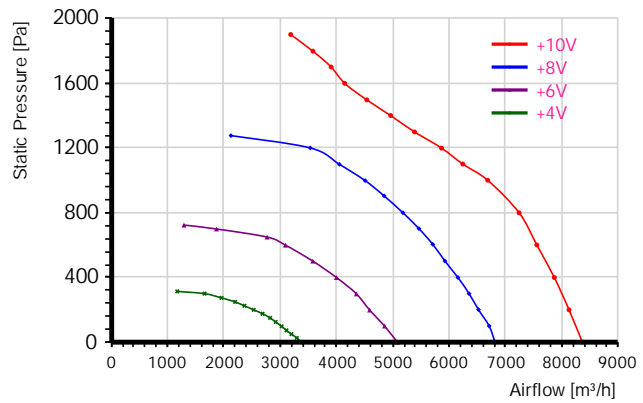
This product consist of ruter rotor (EC) motor ,backward curved centrifugal impeller, with features of compact structure,large airflow,high static pressure,low vibration,low noise,convenient installation,energy saving,high efficiency etc.. The support bracket and panel assembly makes the fan have the characteristics of plug and play,the installation and maintenance become more convenient.

Environmental requirements

- 1) Operating ambient temperature range :-25°C~+50°C
- 2) Working environment humidity range : 90%
- 3) Transportation and storage temperature range : -40°C +80°C
- 4) The storage place is well ventilated,and free from corrosive gases.



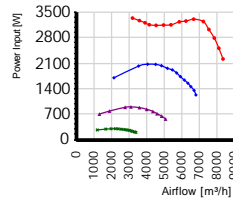
Performance curve



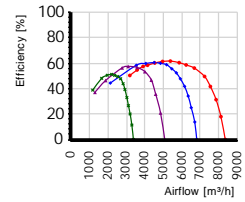
Product Features

- Motor technology: EC
- Supply voltage: 3P, 380~480V
- Supply frequency: 50/60 Hz
- Rated voltage: 400 VAC
- Power input: 3250 W
- Current: 5.1 A
- Speed: 3200 r/min
- Perm. amb. temp: -25°C~+50°C
- Inlet type: Single Inlet
- Rotation: Counter-clockwise (Seen from cable exit)
- Protection class: IP54
- Insulation class: F
- Impeller material: Sheet aluminium
- Acoustic: 86 dB(A)
- Controller: Integrated, 0~10V PWM
- ErP level: 2015
- Housing: Without housing; With inlet ring; With bracket; With panel;

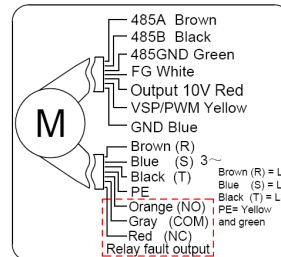
Power input



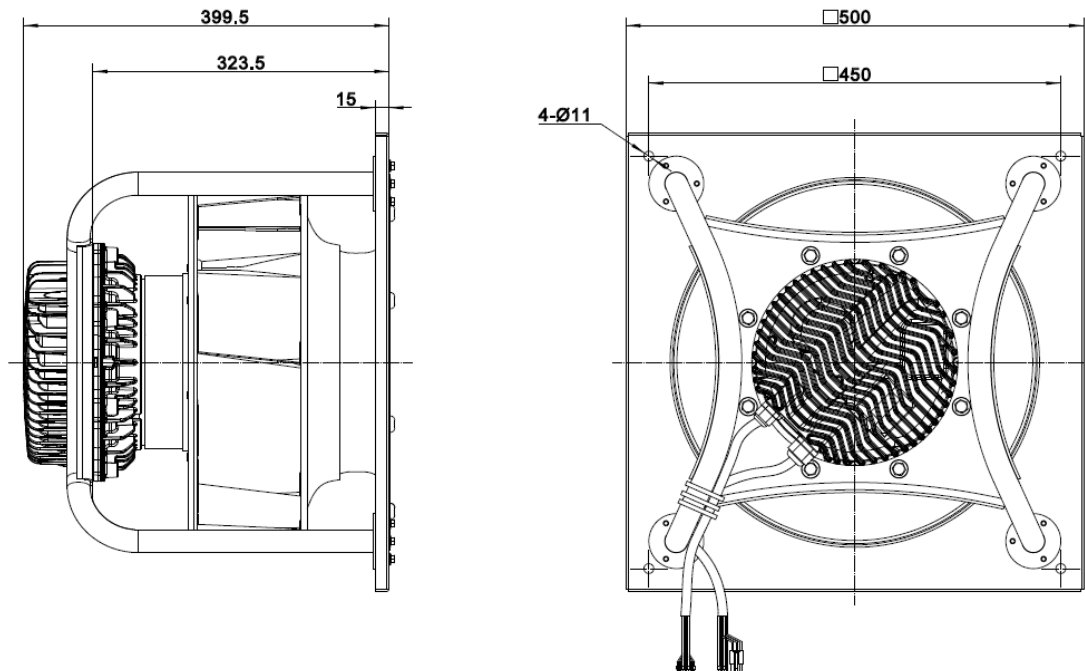
Efficiency on Static Pressure



Wiring diagram

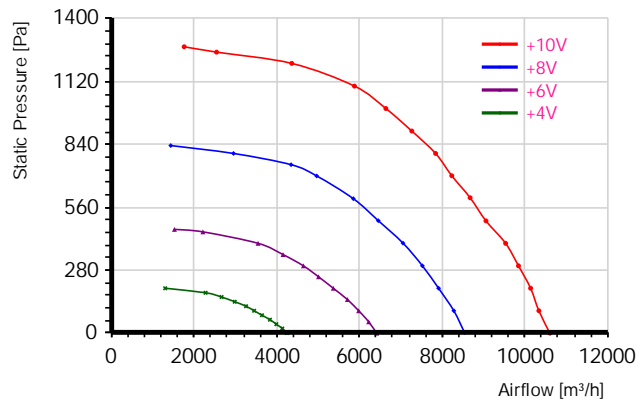


Dimensions mm





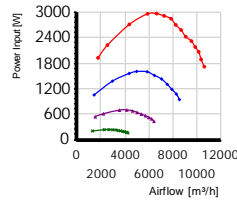
Performance curve



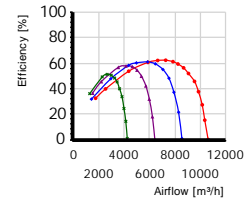
Product Features

- Motor technology: EC
- Supply voltage: 3P, 380~480V
- Supply frequency: 50/60 Hz
- Rated voltage: 400 VAC
- Power input: 2950 W
- Current: 4.5 A
- Speed: 2150 r/min
- Perm. amb. temp: -25°C~+50°C
- Inlet type: Single Inlet
- Rotation: Counter-clockwise (Seen from cable exit)
- Protection class: IP54
- Insulation class: F
- Impeller material: Sheet aluminium
- Acoustic: 83 dB(A)
- Controller: Integrated, 0~10V PWM
- ErP level: 2015
- Housing: Without housing; With inlet ring; With bracket; With panel;

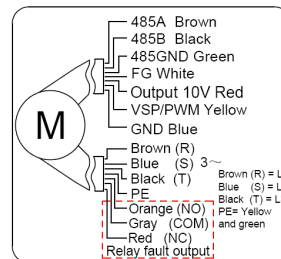
Power input



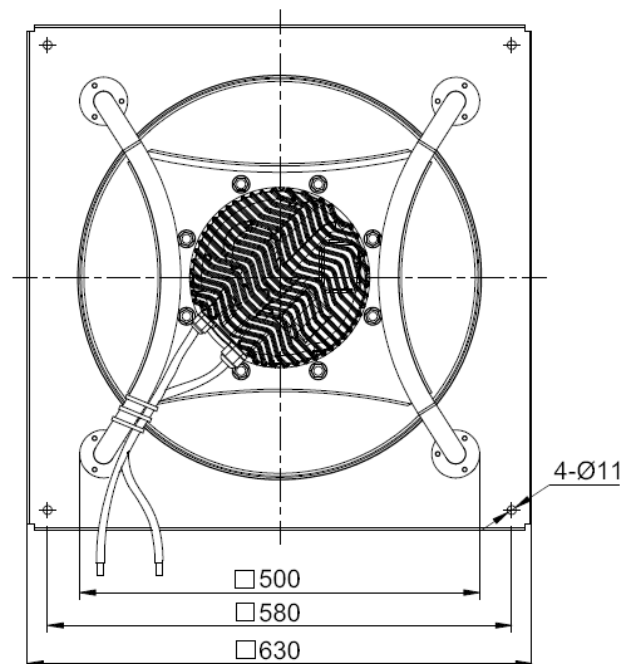
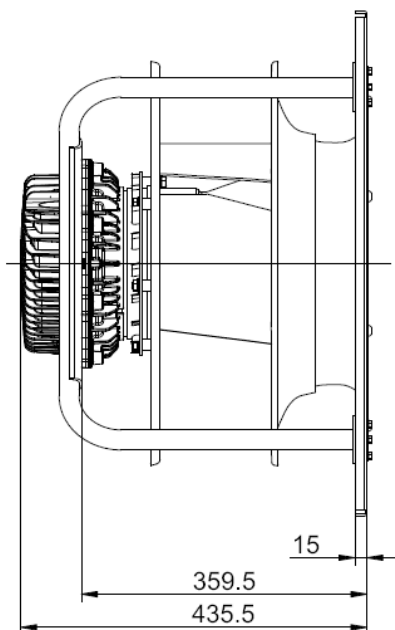
Efficiency on Static Pressure



Wiring diagram

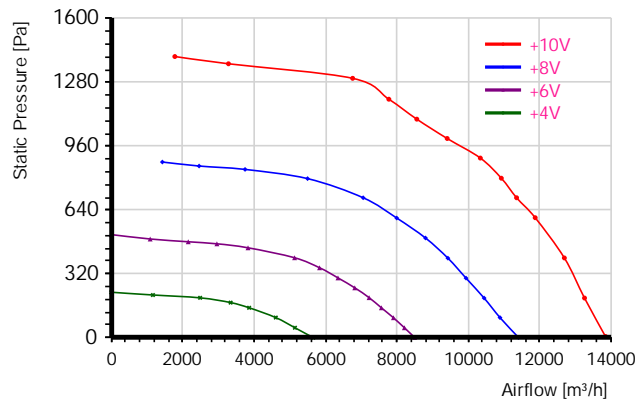


Dimensions mm





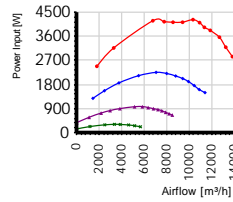
Performance curve



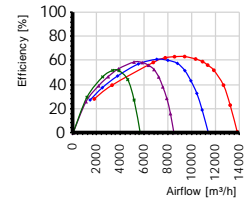
Product Features

- Motor technology: EC
- Supply voltage: 3P, 380~480V
- Supply frequency: 50/60 Hz
- Rated voltage: 400 VAC
- Power input: 4130 W
- Current: 6.4 A
- Speed: 1970 r/min
- Perm. amb. temp: $-25^{\circ}\text{C} \sim +50^{\circ}\text{C}$
- Inlet type: Single Inlet
- Rotation: Counter-clockwise (Seen from cable exit)
- Protection class: IP54
- Insulation class: F
- Impeller material: Sheet aluminium
- Acoustic: 87 dB(A)
- Controller: Integrated, 0~10V PWM
- ErP level: 2015
- Housing: Without housing; With inlet ring; With bracket; With panel;

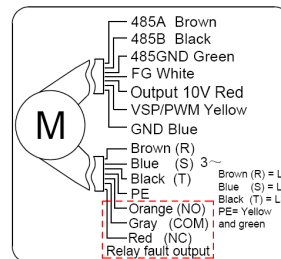
Power input



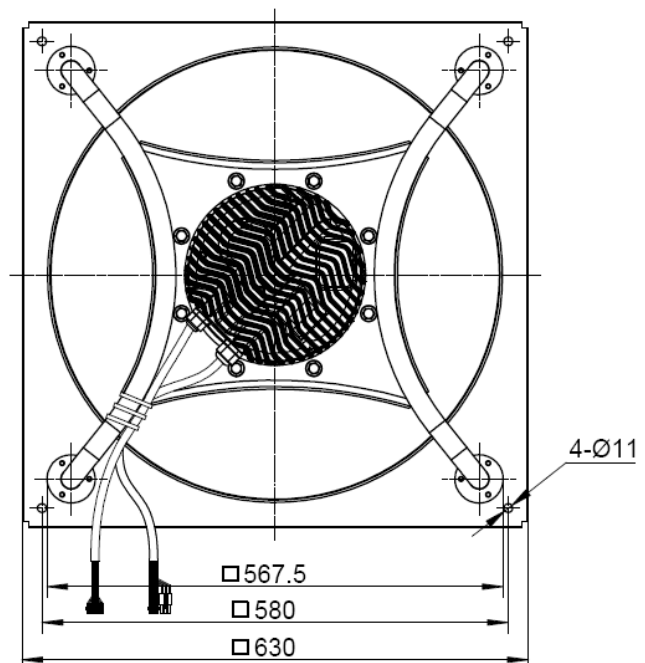
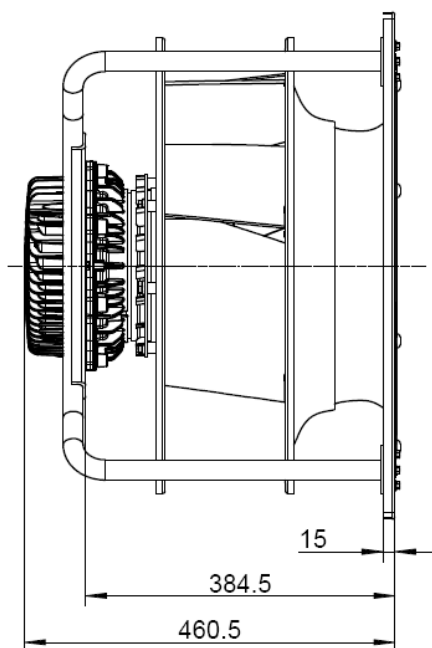
Efficiency on Static Pressure



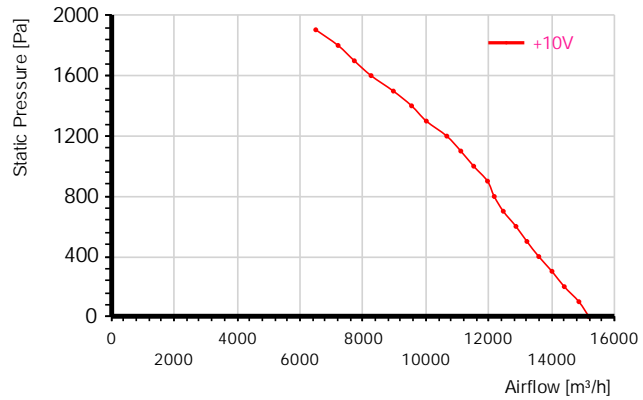
Wiring diagram



Dimensions mm



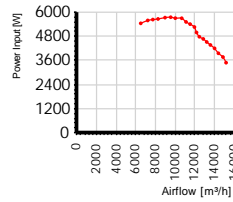
Performance curve



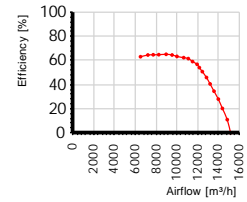
Product Features

- Motor technology: EC
- Supply voltage: 3P, 380~480V
- Supply frequency: 50/60 Hz
- Rated voltage: 400 VAC
- Power input: 5700 W
- Current: 9.1 A
- Speed: 2600 r/min
- Perm. amb. temp: $-25^{\circ}\text{C} \sim +50^{\circ}\text{C}$
- Inlet type: Single Inlet
- Rotation: Counter-clockwise (Seen from cable exit)
- Protection class: IP54
- Insulation class: F
- Impeller material: Sheet aluminium
- Acoustic: 87 dB(A)
- Controller: Integrated, 0~10V PWM
- Housing: Without housing; With inlet ring; With bracket; With panel;

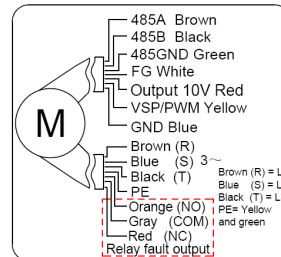
Power input



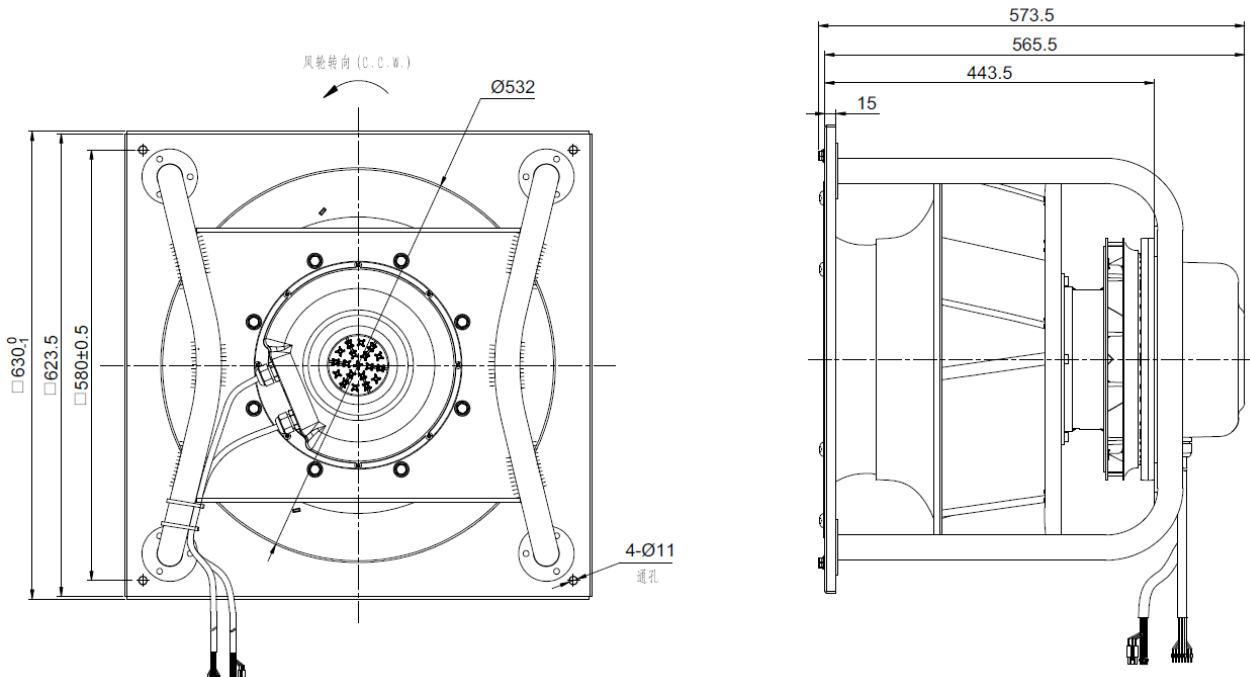
Efficiency on Static Pressure



Wiring diagram

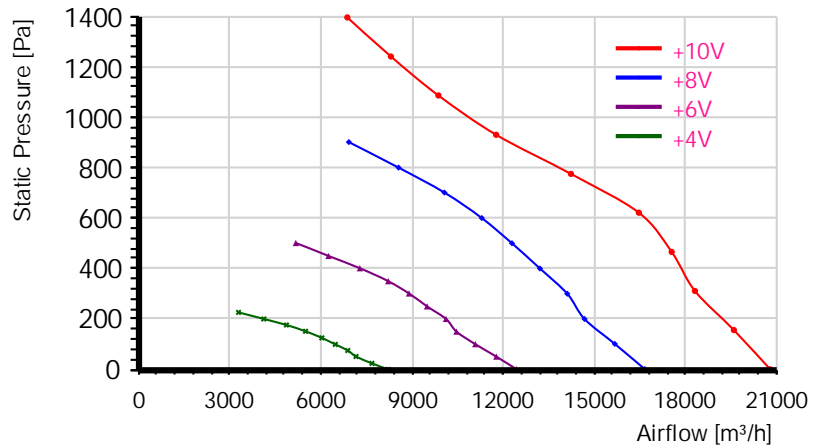


Dimensions mm





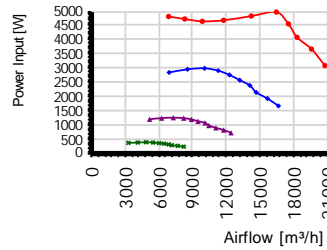
Performance curve



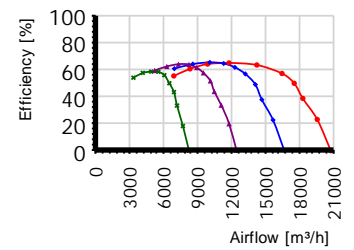
Product Features

- ☞ Motor technology: EC
- ☞ Supply voltage: 3P, 380~480V
- ☞ Supply frequency: 50/60 Hz
- ☞ Rated voltage: 400 VAC
- ☞ Power input: 4800 W
- ☞ Current: 7.4 A
- ☞ Speed: 1700 r/min
- ☞ Perm. amb. temp: -25°C~+40°C
- ☞ Inlet type: Single Inlet
- ☞ Rotation: Counter-clockwise (Seen from cable exit)
- ☞ Protection class: IP54
- ☞ Insulation class: F
- ☞ Impeller material: Sheet aluminium
- ☞ Acoustic: 75 dB(A)
- ☞ Controller: Integrated, 0~10V PWM
- ☞ Housing: Without housing; With inlet ring; With bracket; With panel;

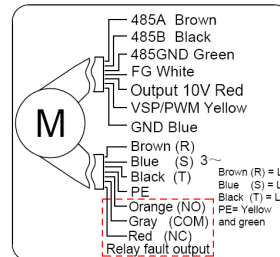
Power input



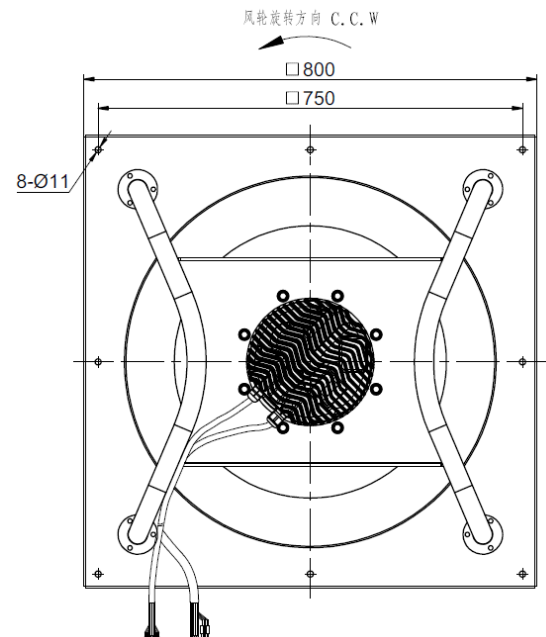
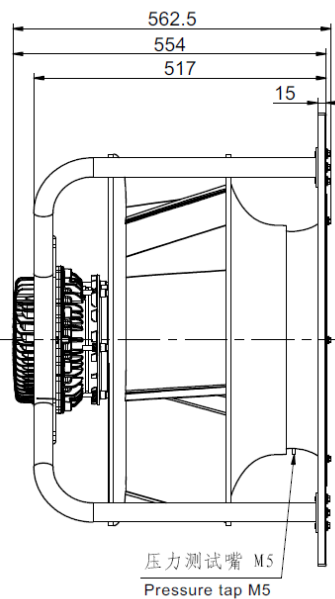
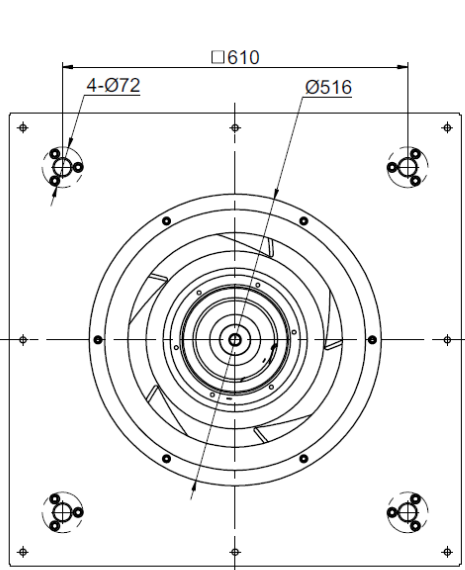
Efficiency on Static Pressure



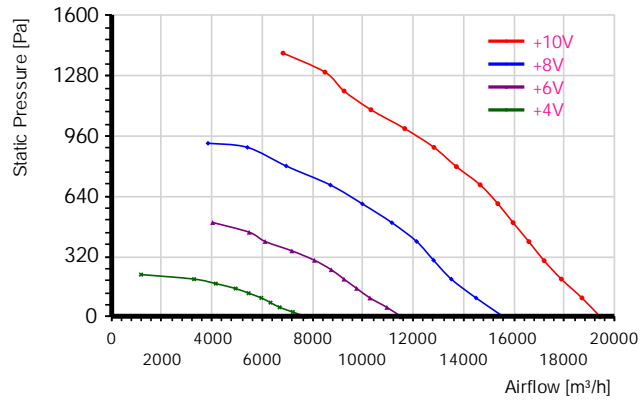
Wiring diagram



Dimensions mm



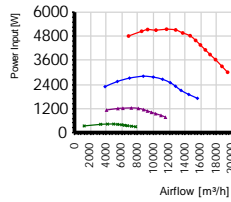
Performance curve



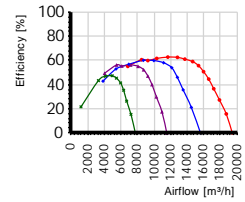
Product Features

- Motor technology: EC
- Supply voltage: 3P, 380~480V
- Supply frequency: 50/60 Hz
- Rated voltage: 400 VAC
- Power input: 5150 W
- Current: 8.1 A
- Speed: 1750 r/min
- Perm. amb. temp: $-25^{\circ}\text{C} \sim +50^{\circ}\text{C}$
- Inlet type: Single Inlet
- Rotation: Counter-clockwise (Seen from cable exit)
- Protection class: IP54
- Insulation class: F
- Impeller material: Sheet aluminium
- Acoustic: 84 dB(A)
- Controller: Integrated, 0~10V PWM
- Housing: Without housing; With inlet ring; With bracket; With panel;

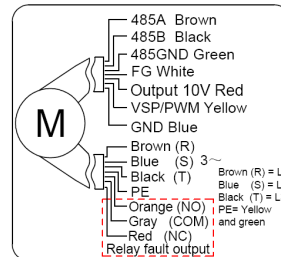
Power input



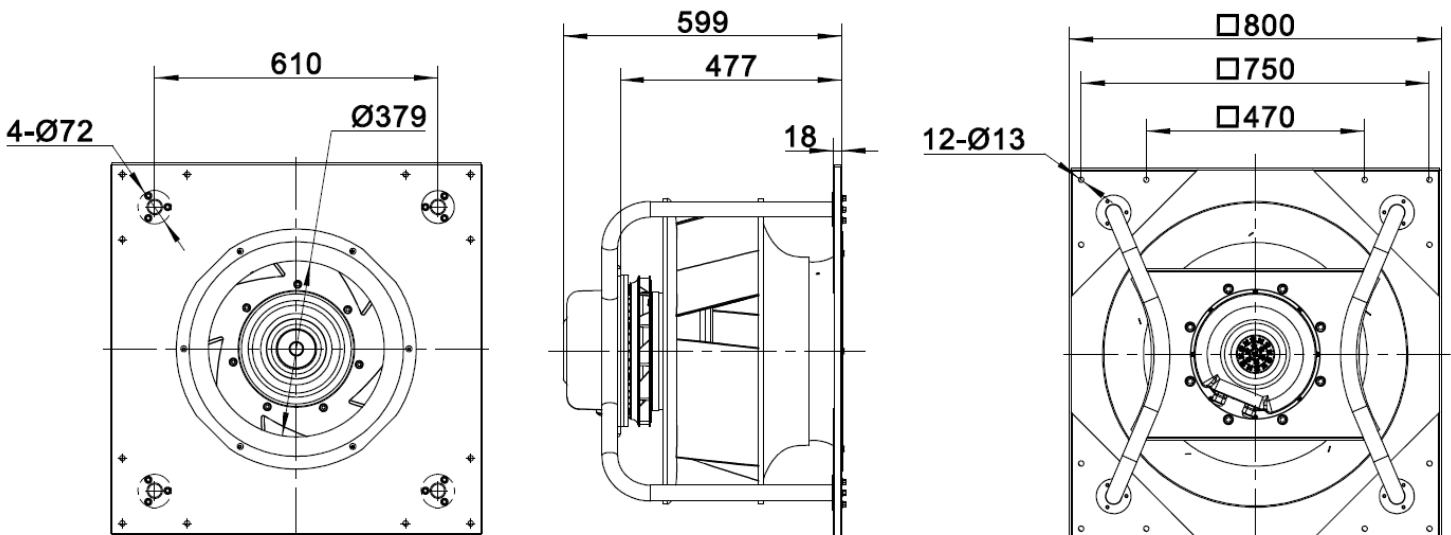
Efficiency on Static Pressure



Wiring diagram



Dimensions mm





An international name, where the customer comes first.

Munters has offices in 30 countries and over 3,000 employees in many branches around the world. We are global leaders in energy efficient air treatment for comfort, process and environmental protection. Munters shares ideas within its international network, giving the Group an outstanding reputation as a reliable, fast-acting and customer-orientated expert in air conditioning. Munters philosophy of customer satisfaction is central to our decision-making. When developing and manufacturing our systems, we see happy customers as our number one target. And this is what our employees strive to ensure every day.

For more information on Munters, please visit www.munters.com

Australia Phone +61 2 8843 1580, serviceairt@munters.com.au **Austria** Phone +43 1 6164298-0, service.dh@munters.at **Belgium & Luxemburg** Phone +32 (0) 15 28 56 11, info@muntersbelgium.be **Brazil** Phone +55 41 3317 5050, brasil.at@munters.com **Canada** Phone +1 905 858 5894, dhinfo@munters.com **China** Phone +86 10 8041 8000, serviceairt@munters.cn **Czech Republic** Phone +420 775 569 657, servicecz@munters.de **Denmark** Phone +45 4495 3355, service.dh@munters.dk **Finland** Phone +358 40 186 3074, service.dh@munters.fi **France** Phone +33 1 3411 5757, service.dh@munters.fr **Germany** Phone +49 40 87 96 90-0, service.dh@munters.de **India** Phone +91 20 6681 8900, info@munters.in **Italy** Phone +39 0183 521 377, service.dh@munters.it **Japan** Phone +81 3 5970 0021, serviceairt@munters.jp **Korea** +82 2 761 8701, munters@munters.co.kr **Mexico** Phone +52 722 270 4029, service.dhmx@munters.com **Netherlands** Phone +31 172 43 32 31, service@munters.nl **Poland** Phone +48 58 305 35 17, service.dh@munters.pl **Singapore** Phone +65 6744 6828, serviceairt@munters.com.sg **Spain & Portugal** Phone +34 91 640 09 02, service.dh@munters.es **Sweden & Norway** Phone +46 8 626 6300, service.dh@munters.se **Switzerland** Phone +41 52 3438886, service.dh@munters.ch **Thailand** Phone +66 2 6422 6703, serviceairt@munters.com.sg **Turkey** Phone +90 216 548 1444, serviceairt@munters.com.tr **UAE** Phone + 971 4880 9295, middle.east@munters.com **United Kingdom & Ireland** Phone +44 1480 432243, service.dh@munters.co.uk **USA** Phone +1 888 349 4335, ServiceAirTUSA@munters.com **Vietnam** Phone +84 8 3825 6838, vietnam@muntersasia.com

Your closest distributor



www.munters.com/fanupgrades