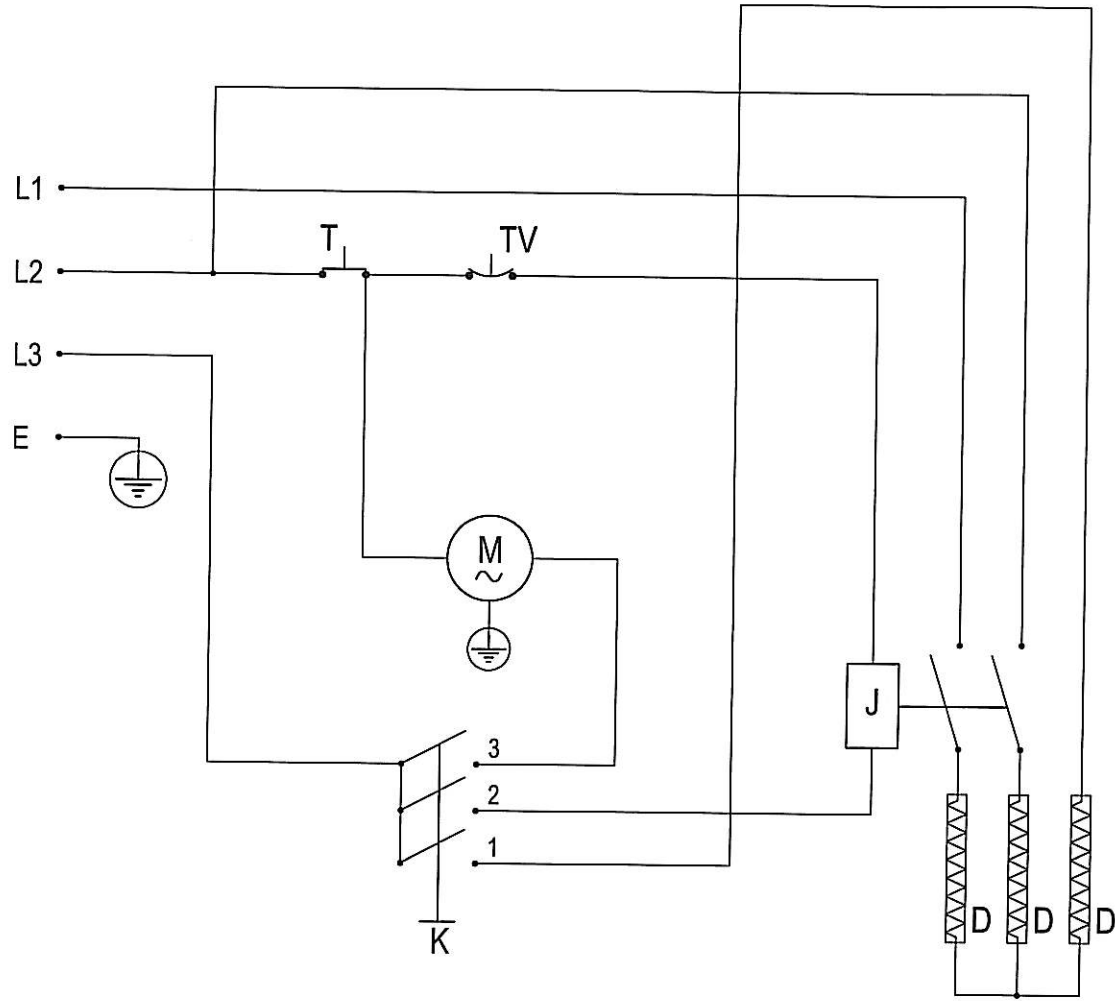


400V 3 50Hz



230V 5kW

T - Thermostat
 K - Switch
 M - Motor
 TV - Safety thermostat
 D - Heating element
 J - Relay

00	09/12/09	First issue						D. Fulcheri
Rev.No	Date	Description					Drawer	
Linear dimension range	up to 6	over 6 up to 30	over 30 up to 120	over 120 up to 400	over 400 up to 1000	over 1000 up to 2000	over 2000 up to 4000	
tolerance limits	±0.3	±0.5	±0.8	±1.2	±2	±3	±4	

Description			Schema elettrico RPL 5 FT (made in China)		Drawing No	
			RPL 5 FT wiring diagram (made in China)		SCH095	
Material			Thickness		Drawer	
-			-mm		D. Fulcheri	
Weight			Drawing scale		Latest revision approved by	
-kg			-		P. A. Oda	
Drawing scale			Date		Purchased part No	
-			09/12/2009		-	
 Munters Munters ITALY S.p.A. - Mondovi This drawing is exclusive property of Munters ITALY S.p.A.. Any vision, reproduction or release without written authorization by Munters ITALY S.p.A. is ABSOLUTELY FORBIDDEN			 DIMENSIONS WITHOUT TOLERANCE LIMITS: ROUGH PRECISION LEVEL UNI EN 22768-1/2		Manufactured part No	
					-	