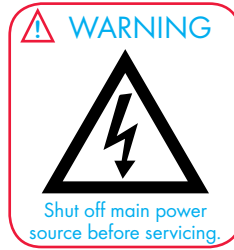


COOLING Maintenance

S Y S T E M



In-line Strainer

- Unscrew cover and remove any debris or mineral deposits from the screen
- Flush with clean water.
- Clean the in-line strainer weekly during heavy use times.

Sump Tank

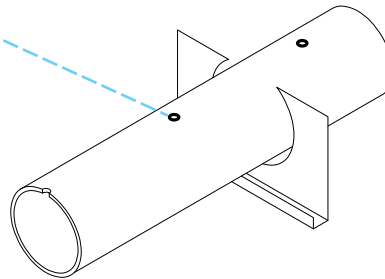
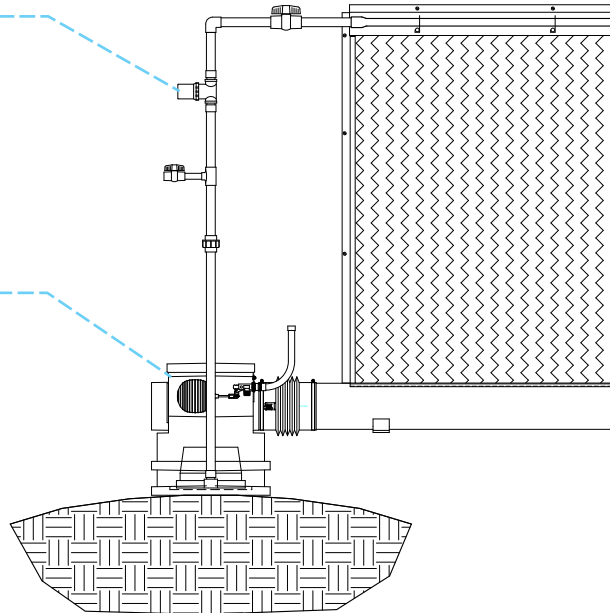
- The sump, float valve and/or foot valve should be cleaned monthly.
- Drain all water out of the sump.
- Clean float valve and adjust if needed.
- Check and clean the foot valve.
- Disinfect sump and then fill with fresh water.
- Once tank is full, check pump operation.

Clean Distribution Pipe Holes

- Pipe holes should be cleaned monthly.
- Remove all debris from holes.
- Flush out pipe with clean water.
- Holes should be facing up so water splashes off the cover and drips down onto pads.

Clean Collection Trough

- Clean Collection Trough yearly.
- Run clean water through Collection Trough to flush out any debris.



Bleed Off

- Bleed off water continuously to prevent the concentration of minerals.
- Start with one gallon/hour (GPH) for each linear foot of cooling system and adjust as needed.
- Use the following formula and table to help calculate necessary bleed rate

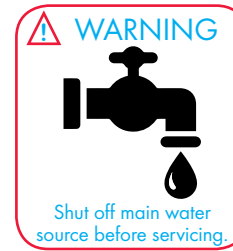
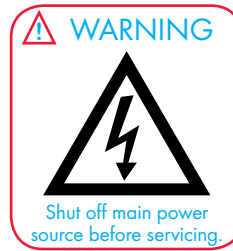
$$\frac{60 \text{ minutes}}{\text{GPH needed}} \times 5 \text{ gal.} = \text{Minutes to fill bucket}$$

Cooling Length (Feet)	Bleed Off Flow (GPH)	Minutes to fill 5-gallon bucket
10	10	30
20	20	15
30	30	10
40	40	7½
50	50	6
60	60	5
70	70	4¼

Example of 30 foot system:

$$\frac{60 \text{ minutes}}{30 \text{ GPH}} \times 5 \text{ gal.} = 10 \text{ minutes}$$

COOLING SYSTEM Maintenance



Check Pad Material

- Check Pad Material weekly.
- Check the flutes and make sure they are free of debris.
- Use a soft bristle brush to clean pads. ALWAYS brush from top to bottom.
- If pad has a dry side, adjust the distribution pipe so that the holes are pointing straight upward.
- Check wing nuts on front cover. Make sure material is secure in its frame.
- When system is running, pads should have a “shiny wet” surface, but not so wet that water falls to the ground.

Prevent Early Pad Failure

- Reduce the number of on/off cycles.
Do not use ten minute cycle timers on pumps!
- Shade the pads and sump to minimize algae growth.
- Dry pad out completely each night to kill algae. A 24-hour timer may be installed.
- **WARNING:** DO NOT USE any commercial WATER TREATMENTS in sump or water supply unless approved by Munters. See QM1128 for a list of approved products.

Check Cooling Controls

- Check Cooling Controls monthly.
- Check sensor or thermostat and wipe off any dust buildup.

Check For Leaks

- Check for leaks monthly.
- Run pump to completely wet pads.
- Check piping and trough splices for any leaks.
- Tighten, glue or caulk to seal any leaks found.

