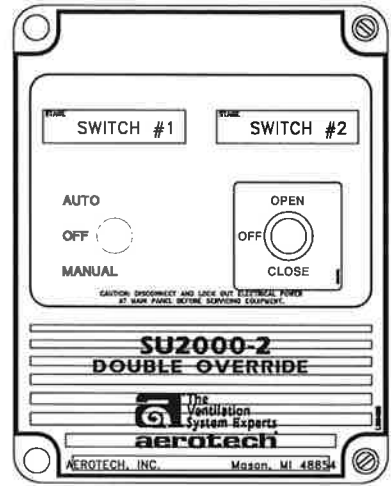


NOTE
WHITE WIRES FROM SENSORS #1 AND #2 TO BE SPliced TOGETHER AND ATTACHED TO TERMINAL 'G' IN BETWEEN TERMINALS '1' AND '2'. WHITE WIRES FROM SENSORS #3 AND #4 TO BE SPliced TOGETHER AND ATTACHED TO TERMINAL 'G' IN BETWEEN TERMINALS '3' AND '4'.

NOTE:
SWITCH #1 IS WIRED TO ALLOW POWER TO CONTROL WHEN IN AUTOMATIC MODE. MANUAL MODE SENDS POWER TO SWITCH #2.
SWITCH #2 IS WIRED SUCH THAT AUTOMATIC MODE SENDS OUT OPEN SIGNAL AND MANUAL MODE SENDS OUT CLOSE SIGNAL.

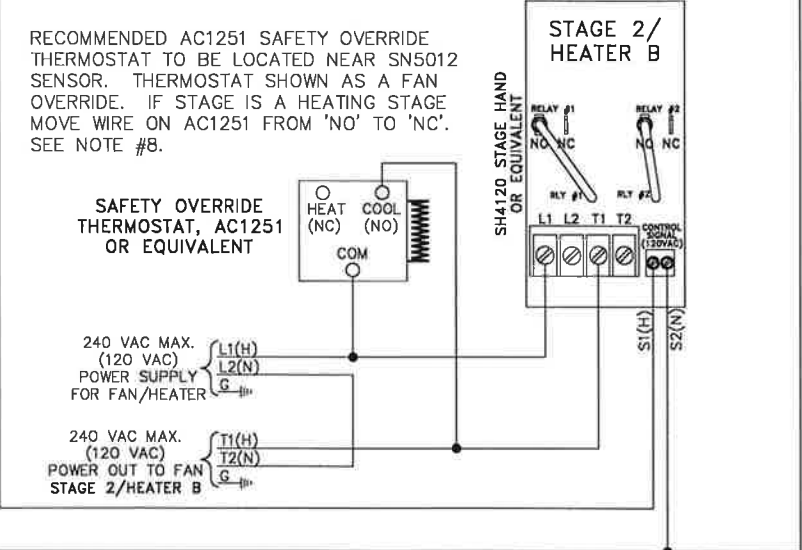
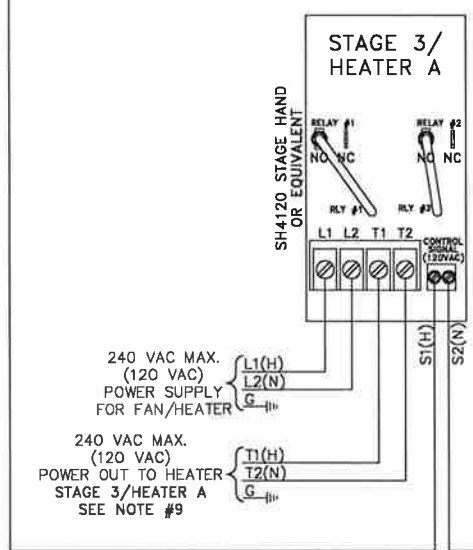


NOTES

1. AN EXTERNAL RELAY WITH A MANUAL OVERRIDE SWITCH, SUCH AS THE STAGE HAND REFERRED TO IN THIS DIAGRAM, ARE REQUIRED FOR ALL FANS RANGING FROM 36" DIA. TO 60" DIA. OVERRIDE SWITCHES ALONE MAY BE USED ON 9" DIA. FANS THROUGH 24" FANS. EXTERNAL RELAYS ARE RECOMMENDED FOR ALL FANS.
2. PROVIDE OVERLOAD PROTECTION WITH AEROTECH, INC. SY2000 SERIES CIRCUIT BREAKERS OR EQUIVALENT.
3. INSTALLATION OF A GOOD QUALITY ALARM SYSTEM (BY OTHERS) IS STRONGLY ADVISED TO WARN OF POWER FAILURES AND HIGH/LOW TEMPERATURES.
4. COMPUTER EQUIPMENT AND SENSORS MUST NOT BE PRESSURE WASHED. SENSORS MUST BE REMOVED OR PROTECTED FROM HIGH PRESSURE WASHING. FAILURE TO DO SO MAY RESULT IN EQUIPMENT FAILURE AND MAY NOT BE COVERED UNDER WARRANTY.
5. PROVIDE SURGE PROTECTION (TO INCLUDE PROTECTION FROM LIGHTNING) FROM POWER SUPPLY TO CONTROL. CONSULT A CERTIFIED ELECTRICIAN FOR SPECIFIC RECOMMENDATIONS.
6. POWER SUPPLY = POWER INPUT, POWER OUT = POWER OUTPUT.
7. INFORMATION IN PARENTHESIS () REFERS TO 120 VAC OPERATION.
8. REFER TO STAGE 3 FOR TYPICAL THERMOSTAT SAFETY OVERRIDE WIRING. THE SAFETY OVERRIDE THERMOSTAT MAY BE PLACED ON ANY STAGE.
9. L1 AND L2 ARE SHOWN AS GRAPHICAL REPRESENTATION ONLY.

SN5012 - INTERNAL DIP SWITCHES

#	OFF	ON
1	UNLOCKED PARAMETERS	LOCKED PARAMETERS
2	FAHRENHEIT DEGREES	CELSIUS DEGREES
3	NO HEATERS	HEATERS
4	1 HEATER	2 HEATERS
5	STAGED HEATERS	ZONED HEATERS
6	STAGE 2 COOLING	STAGE 2 MIST
7	STAGE 3 COOLING	STAGE 3 MIST
8	CURTAIN COMPENSATION OFF	CURTAIN COMPENSATION ON
9	MIST TIMER IN MINUTES	MIST TIMER IN SECONDS

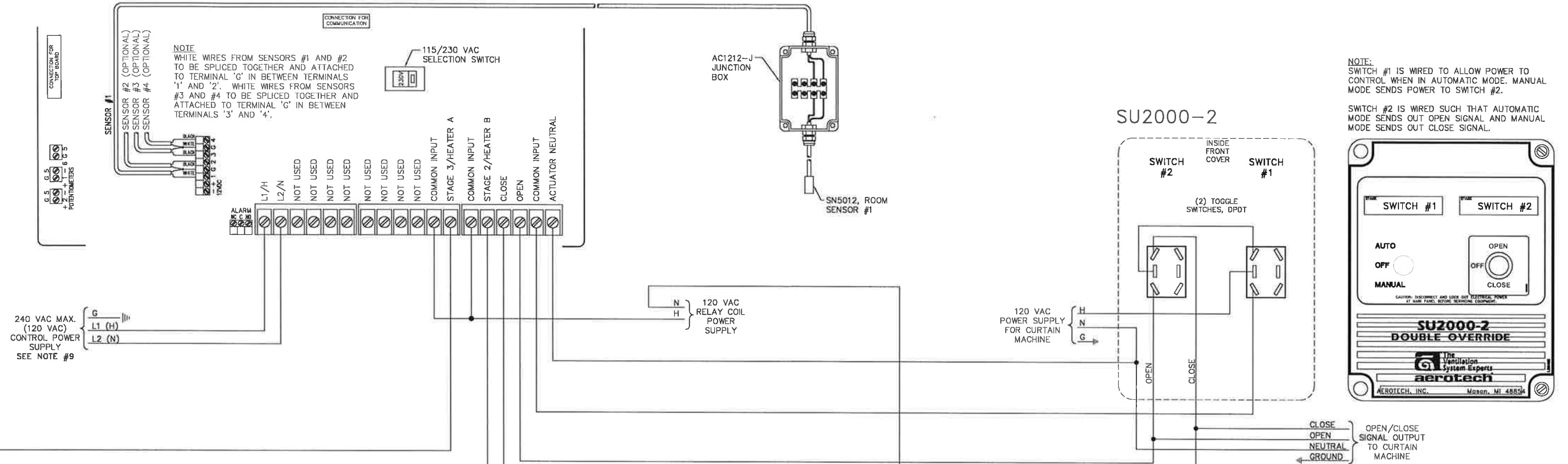


SN5012 AEROCURTAIN 1.2
WIRING DIAGRAM - SINGLE PHASE POWER

DATE	01-27-00	CHECKED BY	RLD	REP.	-
SCALE	NTS	DRAWN BY	DBB	JOB NO.	1455

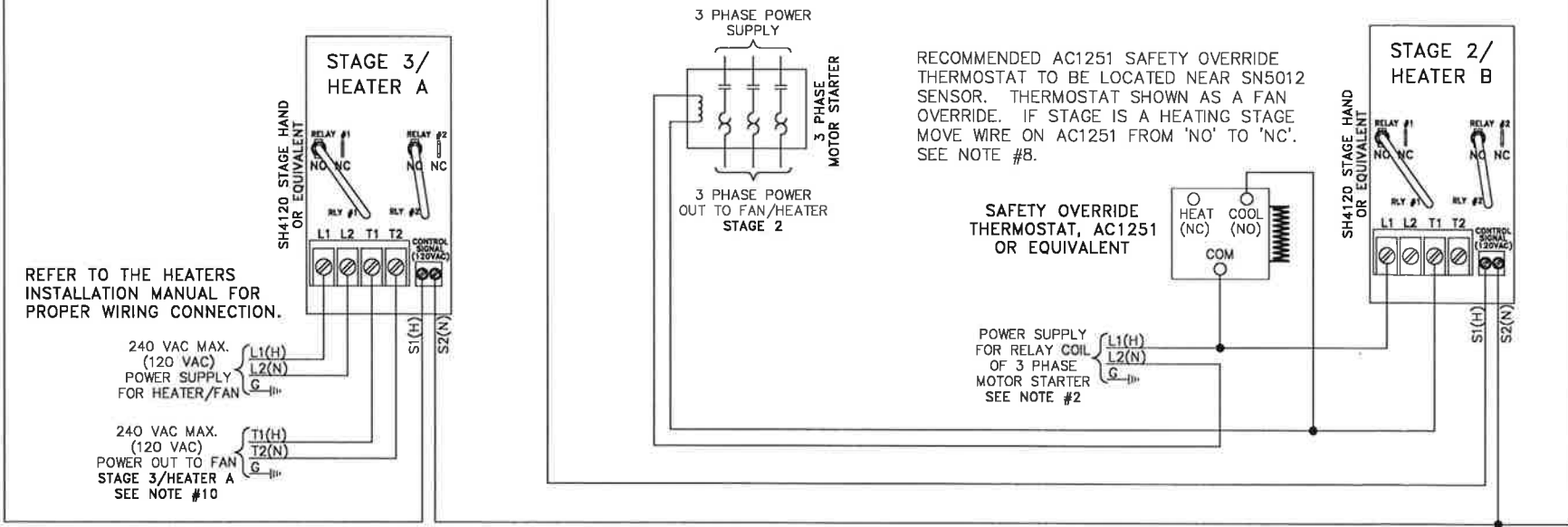
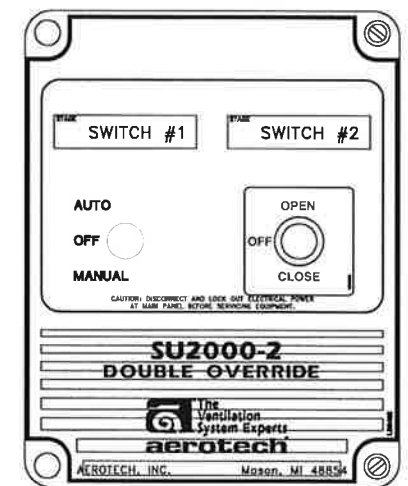
Aerotech, Inc. 4215 Legion Drive, Mason, MI 48854-1036 USA
Toll-free: 800-227-2376 • Local: 517-676-7070 • Fax: 517-676-7078

This plan is the exclusive property of Aerotech, Inc. and is authorized for use by Aerotech representatives and customers only. ©Copyright 2000, Aerotech, Inc.
DRAWING NO. WC-99-141A



NOTE:
SWITCH #1 IS WIRED TO ALLOW POWER TO CONTROL WHEN IN AUTOMATIC MODE. MANUAL MODE SENDS POWER TO SWITCH #2.

SWITCH #2 IS WIRED SUCH THAT AUTOMATIC MODE SENDS OUT OPEN SIGNAL AND MANUAL MODE SENDS OUT CLOSE SIGNAL.



SN5012 - INTERNAL DIP SWITCHES

ON

#	OFF	ON
1	UNLOCKED PARAMETERS	LOCKED PARAMETERS
2	FAHRENHEIT DEGREES	CELSIUS DEGREES
3	NO HEATERS	HEATERS
4	1 HEATER	2 HEATERS
5	STAGED HEATERS	ZONED HEATERS
6	STAGE 2 COOLING	STAGE 2 MIST
7	STAGE 3 COOLING	STAGE 3 MIST
8	CURTAIN COMPENSATION OFF	CURTAIN COMPENSATION ON
9	MIST TIMER IN MINUTES	MIST TIMER IN SECONDS

- NOTES**
1. AN EXTERNAL RELAY WITH A MANUAL OVERRIDE SWITCH, SUCH AS THE STAGE HAND REFERRED TO IN THIS DIAGRAM, ARE REQUIRED FOR ALL FANS RANGING FROM 36" DIA. TO 60" DIA. OVERRIDE SWITCHES ALONE MAY BE USED ON 9" DIA. FANS THROUGH 24" FANS. EXTERNAL RELAYS ARE RECOMMENDED FOR ALL FANS.
 2. PROVIDE OVERLOAD PROTECTION WITH AEROTECH, INC. SY2000 SERIES CIRCUIT BREAKERS OR EQUIVALENT.
 3. INSTALLATION OF A GOOD QUALITY ALARM SYSTEM (BY OTHERS) IS STRONGLY ADVISED TO WARN OF POWER FAILURES AND HIGH/LOW TEMPERATURES.
 4. COMPUTER EQUIPMENT AND SENSORS MUST NOT BE PRESSURE WASHED. SENSORS MUST BE REMOVED OR PROTECTED FROM HIGH PRESSURE WASHING. FAILURE TO DO SO MAY RESULT IN EQUIPMENT FAILURE AND MAY NOT BE COVERED UNDER WARRANTY.
 5. PROVIDE SURGE PROTECTION (TO INCLUDE PROTECTION FROM LIGHTNING) FROM POWER SUPPLY TO CONTROL. CONSULT A CERTIFIED ELECTRICIAN FOR SPECIFIC RECOMMENDATIONS.
 6. POWER SUPPLY = POWER INPUT, POWER OUT = POWER OUTPUT.
 7. INFORMATION IN PARENTHESIS () REFERS TO 120 VAC OPERATION.
 8. REFER TO STAGE 3 FOR TYPICAL THERMOSTAT SAFETY OVERRIDE WIRING. THE SAFETY OVERRIDE THERMOSTAT MAY BE PLACED ON ANY STAGE.
 9. L1 AND L2 ARE SHOWN AS GRAPHICAL REPRESENTATION ONLY.

aerotech
The Ventilation System Experts

Aerotech, Inc. 4215 Legion Drive, Mason, MI 48854-1036 USA
Toll-free: 800-227-2376 • Local: 517-676-7070 • Fax: 517-676-7078

SN5012 AEROCURTAIN 1.2
WIRING DIAGRAM - THREE PHASE POWER

DATE 01-27-00	CHECKED BY RLD	REP. -
SCALE NTS	DRAWN BY DBB	JOB NO. 1455
This plan is the exclusive property of Aerotech, Inc. and is authorized for use by Aerotech representatives and customers only. ©Copyright 2000, Aerotech, Inc.		DRAWING NO. WC-99-141B