
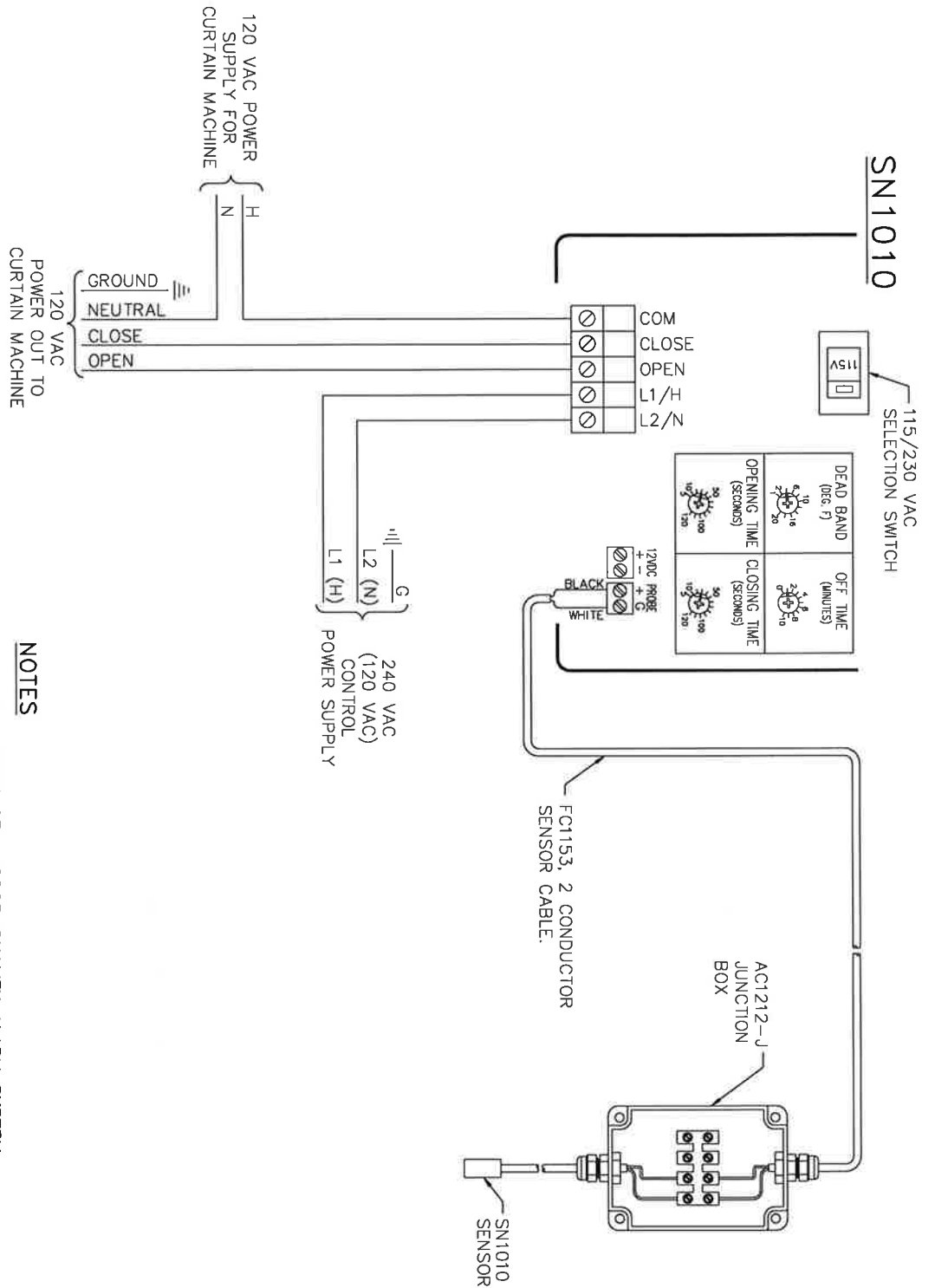



- NOTES**
1. INSTALLATION OF A GOOD QUALITY ALARM SYSTEM (BY OTHERS) IS STRONGLY ADVISED TO WARN OF POWER FAILURES AND HIGH/LOW TEMPERATURES.
 2. PROVIDE SURGE PROTECTION (TO INCLUDE PROTECTION FROM LIGHTNING) FROM POWER SUPPLY TO CONTROL. CONSULT A CERTIFIED ELECTRICIAN FOR SPECIFIC RECOMMENDATIONS.
 3. POWER SUPPLY = POWER INPUT, POWER OUT = POWER OUTPUT.
 4. INFORMATION IN PARENTHESIS () REFERS TO 120 VAC OPERATION.

 <p>The Ventilation System Experts aerotech</p> <p>AEROTECH, INC. MASON, MI 48854-1036 USA</p>	SN1010 AEROCURTAIN 1.0 WIRING DIAGRAM		
	DATE 12-24-97	CHECKED BY RLD	REP. -
	SCALE NTS	DRAWN BY DBB	JOB NO. 747
	This plan is the exclusive property of Aerotech, Inc. and is authorized for use by Aerotech representatives and customers only. ©Copyright 1997, Aerotech, Inc.		DRAWING NO. WC-97-403B



- NOTES**
1. INSTALLATION OF A GOOD QUALITY ALARM SYSTEM (BY OTHERS) IS STRONGLY ADVISED TO WARN OF POWER FAILURES AND HIGH/LOW TEMPERATURES.
 2. PROVIDE SURGE PROTECTION (TO INCLUDE PROTECTION FROM LIGHTNING) FROM POWER SUPPLY TO CONTROL. CONSULT A CERTIFIED ELECTRICIAN FOR SPECIFIC RECOMMENDATIONS.
 3. POWER SUPPLY = POWER INPUT, POWER OUT = POWER OUTPUT.
 4. INFORMATION IN PARENTHESIS () REFERS TO 120 VAC OPERATION.

 <p>The Ventilation System Experts aerotech</p>	SN1010 AEROCURTAIN 1.0 WIRING DIAGRAM		
	DATE 12-24-97 SCALE NTS	CHECKED BY RLD DRAWN BY DBB	REP. — JOB NO. 747
AEROTECH, INC. MASON, MI 48854-1036 USA	This plan is the exclusive property of Aerotech, Inc. and is authorized for use by Aerotech representatives and customers only. ©Copyright 1997, Aerotech, Inc.		DRAWING NO. WC-97-403A