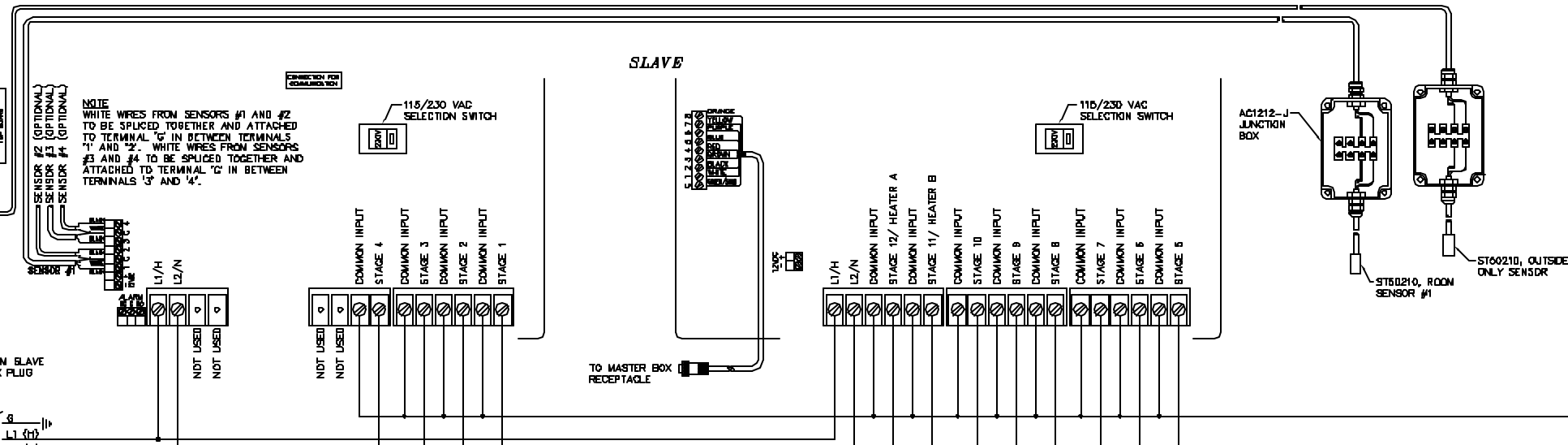


MASTER

SLAVE

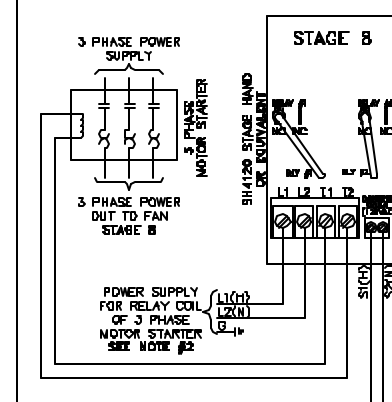
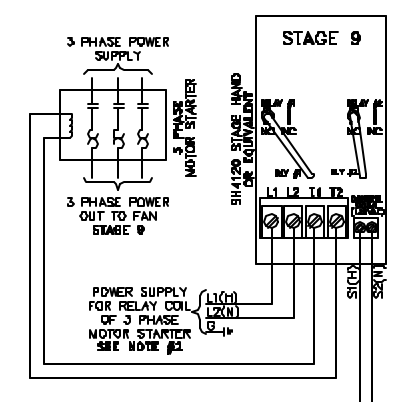
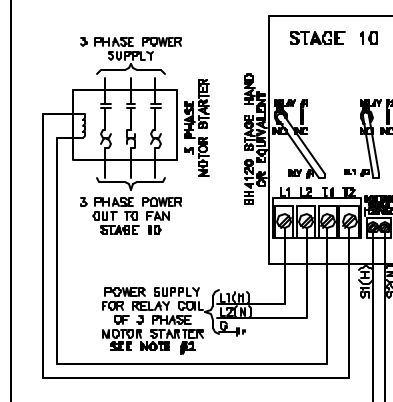
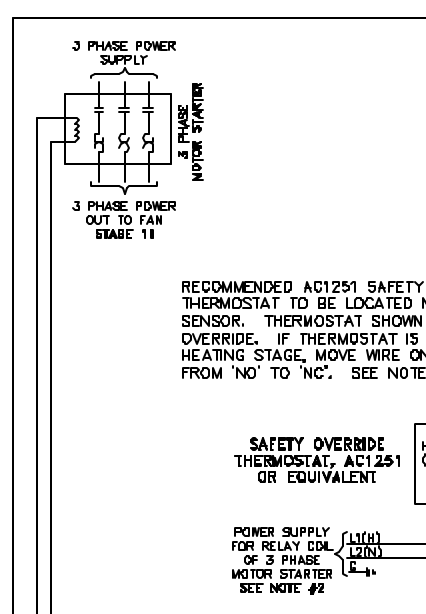
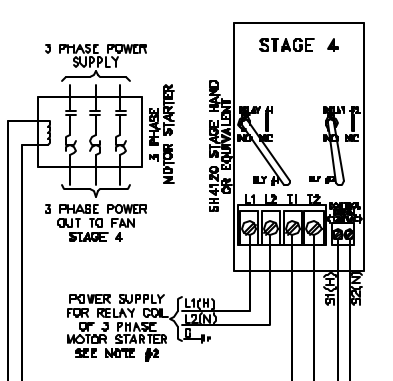
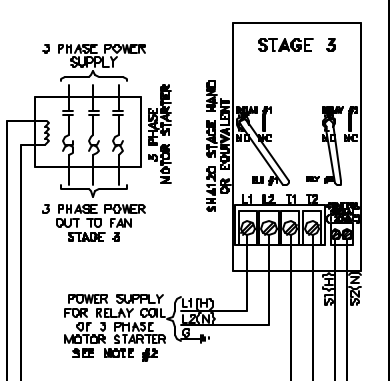
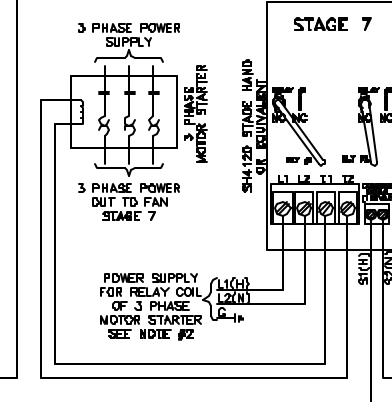
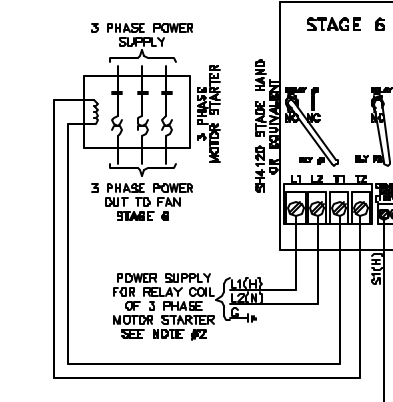
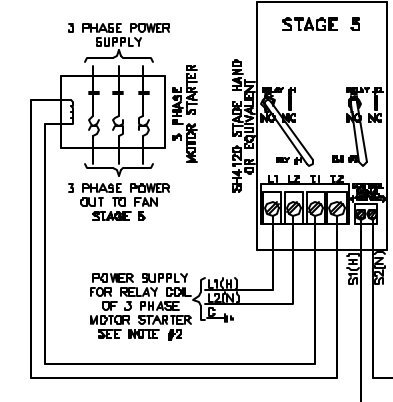
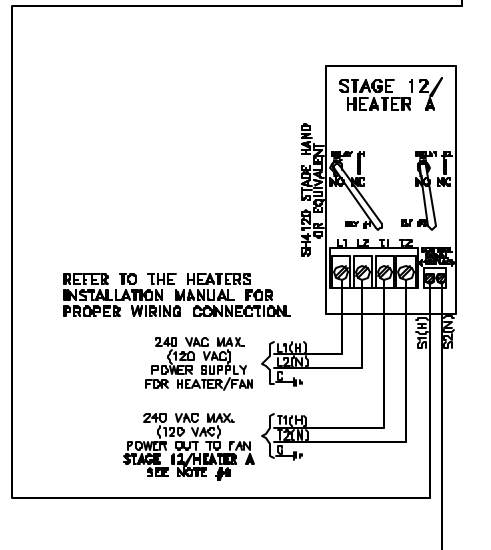
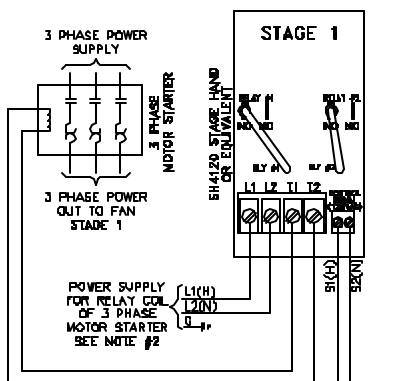
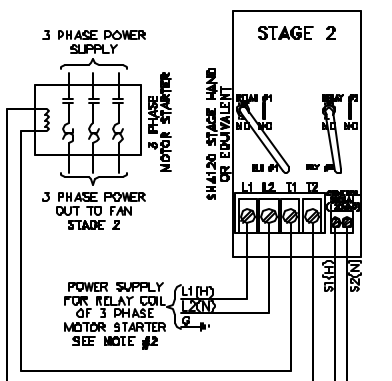


NOTE: WHITE WIRES FROM SENSORS #1 AND #2 TO BE SPliced TOGETHER AND ATTACHED TO TERMINAL 'C' IN BETWEEN TERMINALS '1' AND '2'. WHITE WIRES FROM SENSORS #3 AND #4 TO BE SPliced TOGETHER AND ATTACHED TO TERMINAL 'C' IN BETWEEN TERMINALS '3' AND '4'.

ST50210 - INTERNAL DIP SWITCHES

SWITCH #	OFF	ON
1	UNLOCKED PARAMETERS	LOCKED PARAMETERS
2	FAHRENHEIT DEGREES	CELSIUS DEGREES
3	NO HEATING STAGES	HEATING
4	1 HEATER	2 HEATERS
5	STAGED HEATERS	ZONED HEATERS
6	STAGE 1 WITHOUT RAMPING	STAGE 1 WITH RAMPING
7	OUTSIDE PROBE DISABLED	OUTSIDE PROBE ENABLED

- NOTES**
- AN EXTERNAL RELAY WITH A MANUAL OVERRIDE SWITCH, SUCH AS THE STAGE HAND REFERRED TO IN THIS DIAGRAM, ARE REQUIRED FOR ALL FANS RANGING FROM 36" DIA. TO 48" DIA. OVERRIDE SWITCHES ALONE MAY BE USED ON 6" DIA. FANS THROUGH 24" FANS. EXTERNAL RELAYS ARE RECOMMENDED FOR ALL FANS.
 - POWER SUPPLY VOLTAGE MUST MATCH VOLTAGE OF RELAY COIL IN 3 PHASE MOTOR STARTER.
 - INSTALLATION OF A GOOD QUALITY ALARM SYSTEM (BY OTHERS) IS STRONGLY ADVISED TO WARN OF POWER FAILURES AND HIGH/LOW TEMPERATURES.
 - COMPUTER EQUIPMENT AND SENSORS MUST NOT BE PRESSURE WASHED. SENSORS MUST BE REMOVED OR PROTECTED FROM HIGH PRESSURE WASHING. FAILURE TO DO SO MAY RESULT IN EQUIPMENT FAILURE AND MAY NOT BE COVERED UNDER WARRANTY.
 - PROVIDE SURGE PROTECTION (TO INCLUDE PROTECTION FROM LIGHTNING) FROM POWER SUPPLY TO CONTROL. CONSULT A CERTIFIED ELECTRICIAN FOR SPECIFIC RECOMMENDATIONS.
 - POWER SUPPLY = POWER INPUT, POWER OUT = POWER OUTPUT. INFORMATION IN PARENTHESIS () REFERS TO 120 VAC OPERATION.
 - REFER TO STAGE 11 FOR TYPICAL THERMOSTAT SAFETY OVERRIDE WIRING. THE SAFETY OVERRIDE THERMOSTAT MAY BE PLACED ON ANY STAGE.
 - IN ORDER FOR VARIABLE SPEED FANS TO RUN CORRECTLY, LEADS OF POWER FOR CONTROL AND LEADS OF POWER FOR STAGE 1 MUST BE SAME PHASE.
 - L1 AND L2 ARE SHOWN AS GRAPHICAL REPRESENTATION ONLY. 3 PHASE LINE BALANCING OF SINGLE PHASE LOADS MUST BE PERFORMED BY A CERTIFIED ELECTRICIAN.



BY	DATE	DESCRIPTION	J.N.
JJC	01-16-01	REVISED AND UPDATED	1880

aerotech
The Ventilation System Experts

ST50210 AEROSTEP 12
WIRING DIAGRAM - THREE PHASE POWER

DATE	05-06-99	CHECKED BY	RLD	REP.	-
SCALE	NTS	DRAWN BY	DBB	JOB NO.	1455
This plan is the exclusive property of Aerotech, Inc. and is authorized for use by Aerotech representatives and customers only. ©Copyright 2001, Aerotech, Inc.				DRAWING NO. WC-99-009B	

Aerotech, Inc. 4213 Legion Drive, Mason, MI 48854-1034 USA
Toll-free: 800-277-2376 • Local: 317-676-7070 • Fax: 317-676-7078