

**Munters Drive\* G2**  
**Motor**  
Replacement Kit for  
ATS74 and CX74 Fans

\*Patents Pending

## Instruction Manual



Front View



Rear View

## Munters Drive G2

Motor Replacement Kit  
Models: FM3465



# Munters Drive G2

Motor Replacement Kit

## Instructions for Use and Maintenance

### Thank You:

Thank you for purchasing a Munters Drive motor replacement kit. Munters equipment is designed to be the highest performing, highest quality equipment you can buy. With the proper installation and maintenance it will provide many years of service.

### Please Note:

To achieve maximum performance and insure long life from your Munters product it is essential that it be installed and maintained properly. Please read all instructions carefully before beginning installation.

### Warranty:

For Warranty claims information see the "Warranty Claims and Return Policy" form QM1021 available from the [Munters Corporation office at 1-800-227-2376 or by e-mail at aghort.info@munters.com](mailto:aghort.info@munters.com).

### Conditions and Limitations:

- Products and Systems involved in a warranty claim under the "Warranty Claims and Return Policy" shall have been properly installed, maintained and operated under competent supervision, according to the instructions provided by Munters Corporation.
- Malfunction or failure resulting from misuse, abuse, negligence, alteration, accident or lack of proper installation or maintenance shall not be considered a defect under the Warranty.

# Index

Chapters	Page
1. Unpacking the Equipment	4
1.1 Parts List	4
2. Installation Instructions	5
2.1 MD2 Replacement for Atlas 74 Fan	5
2.2 MD2 Replacement for CX74 Fan	15
3. Electrical Wiring	24
3.1 Atlas 74 GA500 Drive Wiring	24
3.2 CX74 Drive Wiring	27
4. Troubleshooting	35

# Unpacking the Equipment

# 1.

## 1.1 Parts List

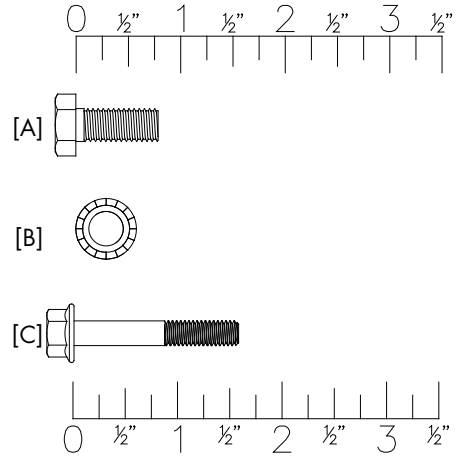
Before beginning installation, check the overall condition of the equipment. Remove packing materials, and examine all components for signs of shipping damage. Any shipping damage is the customer's responsibility and should be reported immediately to your freight carrier.

Each Munters Drive G2 FM3465 Kit Includes:

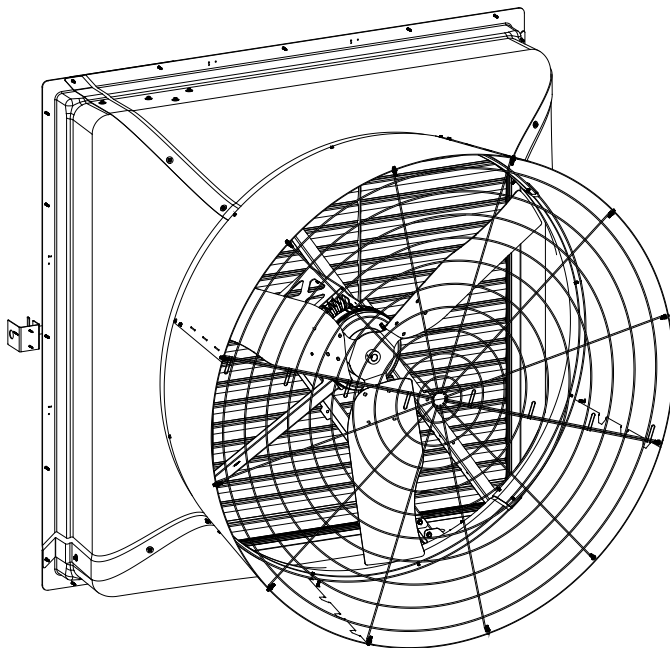
- 1 - Munters Drive G2 Motor
- 1 - Hardware Package As Follows:

HP2603 - Hardware Package for FM3465 Kit

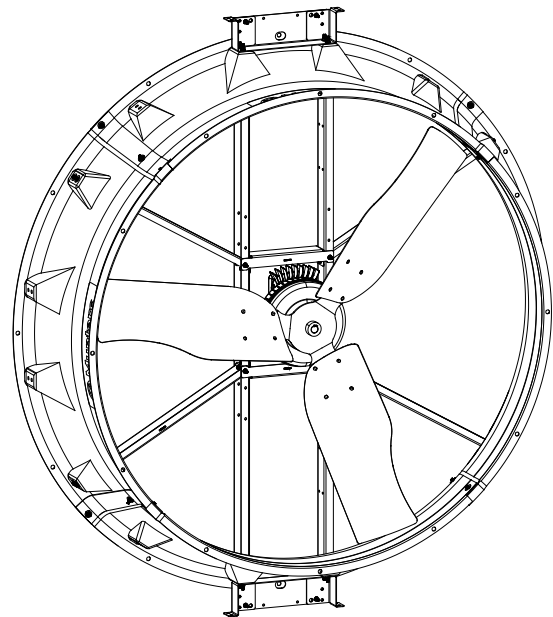
ID	Qty.	Cat. No.	Description
[A]	8	KS1927	M8-1.25 x 20mm, HX, Bolt, ZP
[B]	8	KW4906	M8 EXT Star Lock Washer, BLK OX
[C]	4	KS1162	M6-1.0 x 40mm, HX Washer HD Bolt, ZP



If you are Installing this motor kit on an Atlas 74 Exhaust Fan, proceed to [Page 5, Step 1](#).  
If you are installing this motor Kit on a CX74 Circulation Fan, proceed to [Page 17, Step 15](#).  
[See Figures below.](#)



Atlas 74 Exhaust Fan  
Proceed to Page 5, Step 1



CX74 Circulation Fan  
Proceed to Page 17, Step 15

## 2.1 G2 Motor Replacement for Atlas74 Fan

### Step 1

Disconnect power from fan before continuing. Remove the shutter from the back of the fan and set safely aside to be reinstalled later. [See Figure 1.](#)

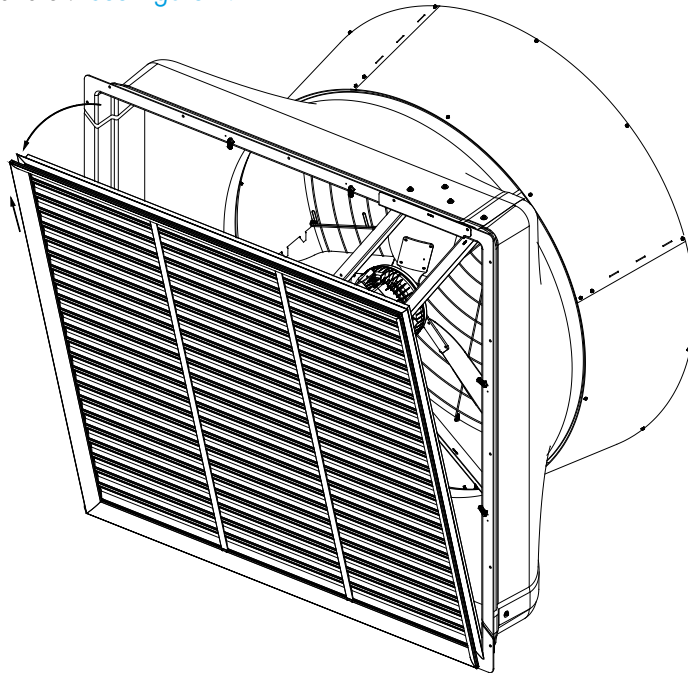


Figure 1

### Step 2

For the Atlas 74 Fan it will be necessary to work from the front of the fan as well as the back of the fan, so remove the outlet guard and bottom cone section of the cone for easy access. Set the Guard and Cone Section and hardware aside to be reinstalled later. [See Figure 2.](#)

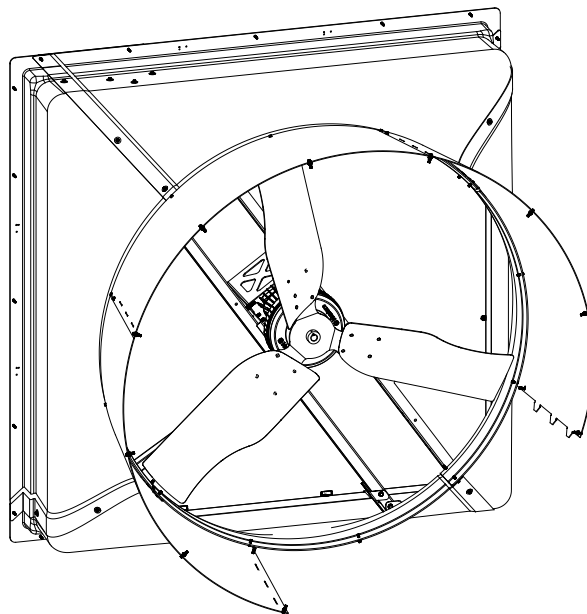


Figure 2

Step 3

Loosen the (4) captured screws in the Munters Drive Box cover to access the drive wiring. Disconnect 3 wires on the right side of the drive from the terminals "U/T1, V/T2, W/T3". Then replace the cover.

See Figure 3.

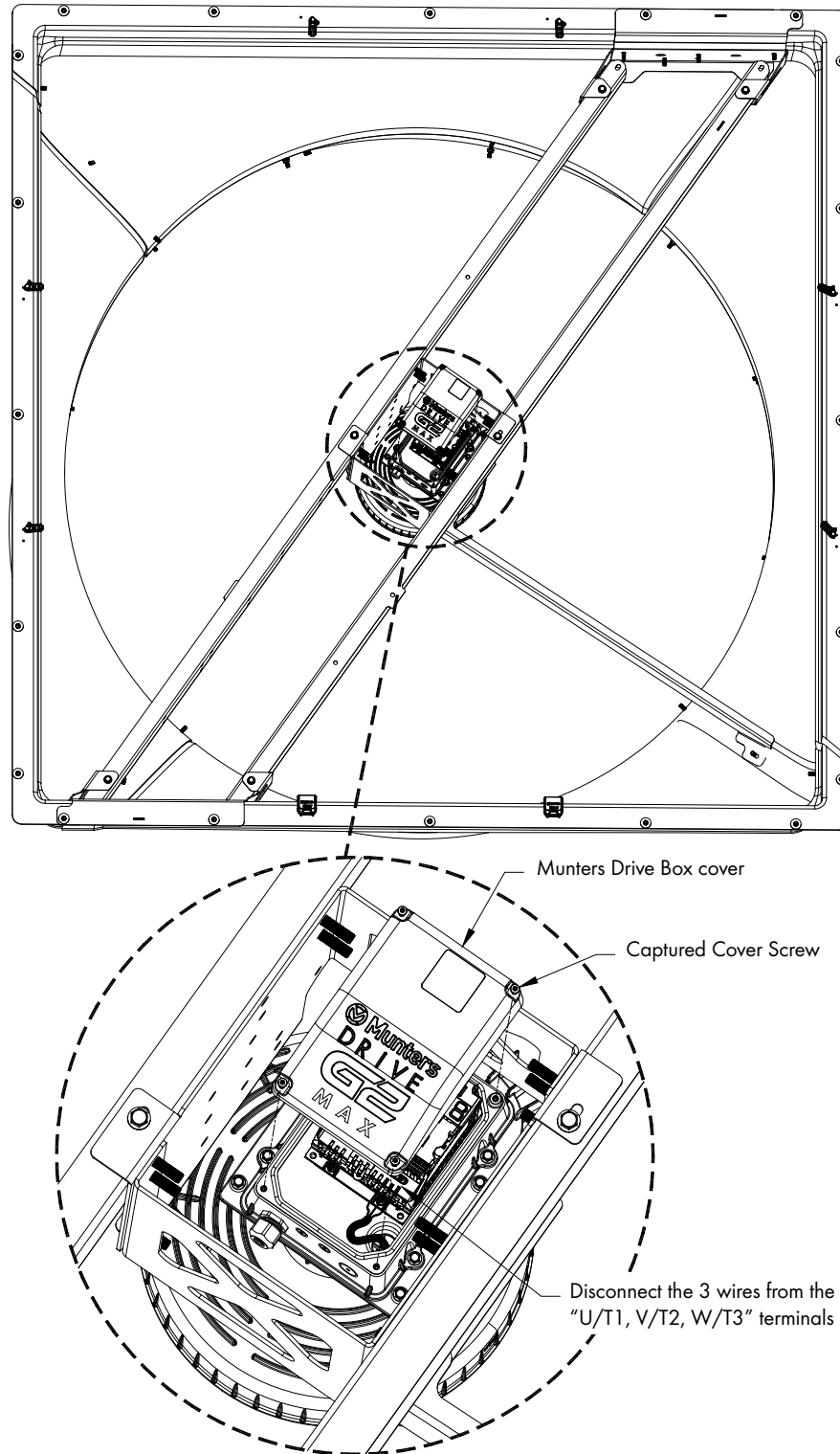


Figure 3

**Step 4**

Loosen the Set Screw holding the propeller to the shaft. Carefully remove the propeller from the fan and set safely aside to be reinstalled later. A gear puller or prop puller may need to be used.

See Figure 4. Remove Key from Prop Adapter and keep with prop to be reused later.

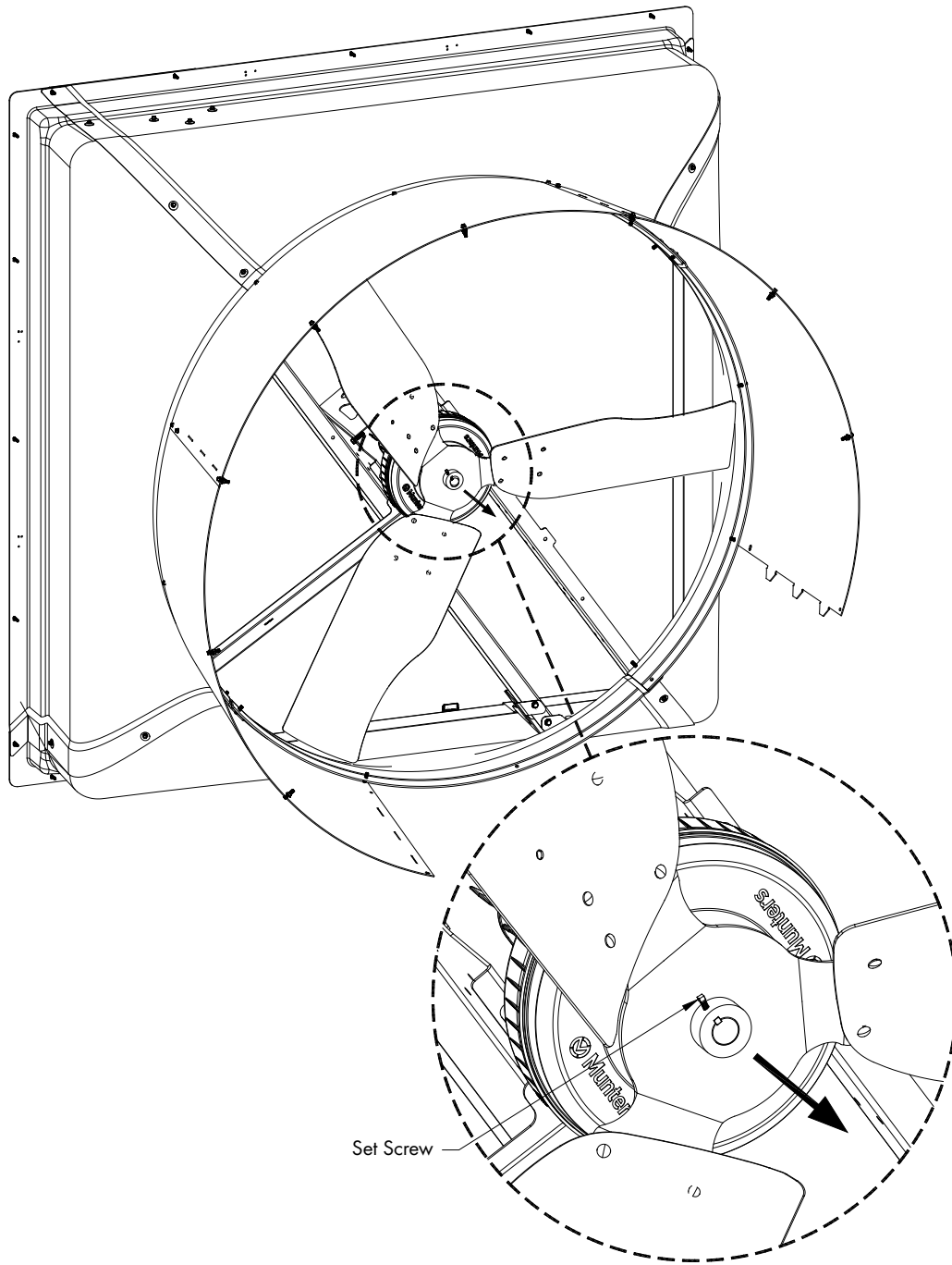


Figure 4

Step 5

Remove the (4) Bolts and Star Washers holding the Prop Adapter to the Motor. Save the Prop Adapter for reuse later, but discard the existing bolts and washers. See Figure 5.

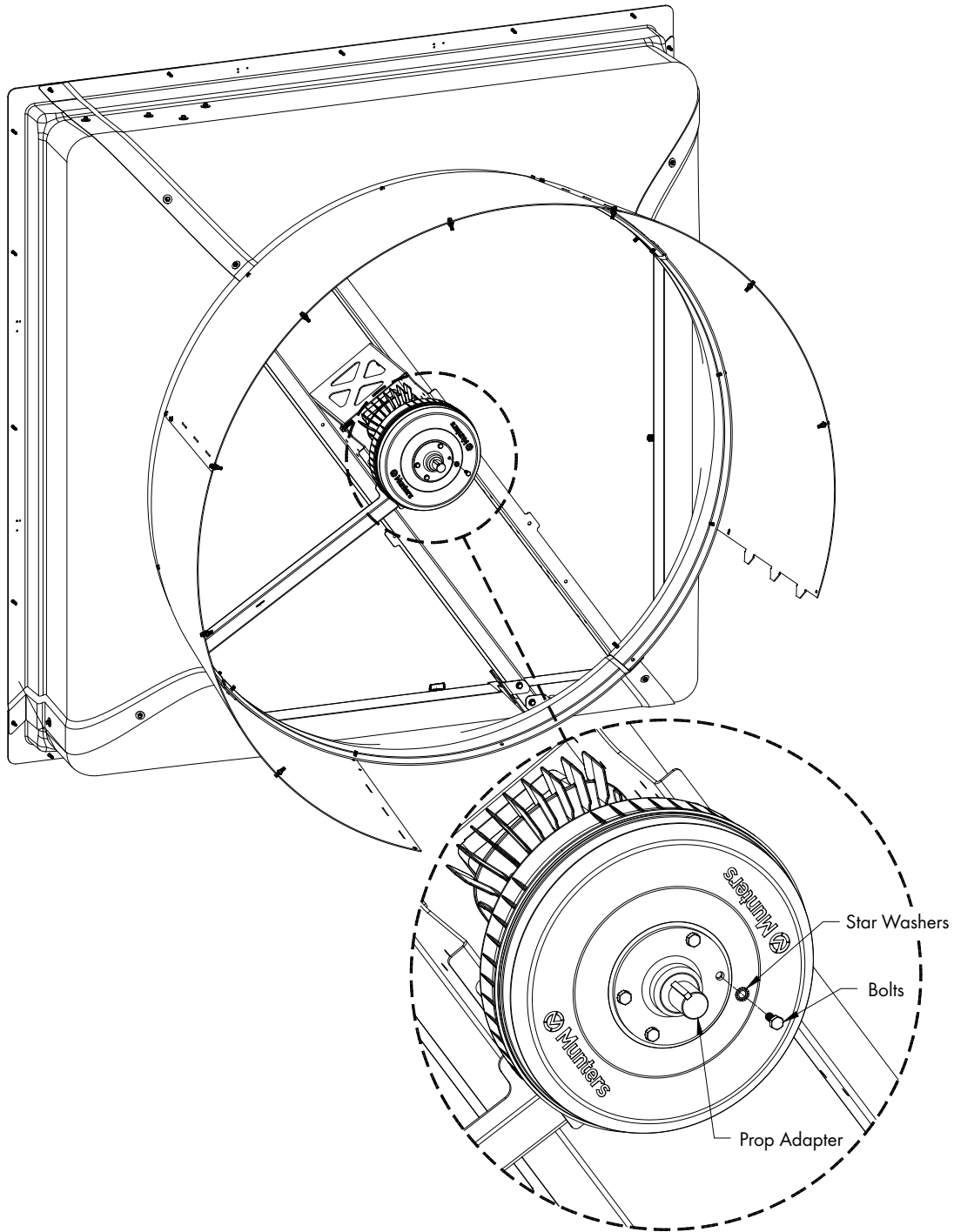


Figure 5



**Step 6**

Remove the (4) bolts holding the Heat Sink with Control Box to the back of the Munters Drive Motor and carefully set the Heat Sink with Control Box in fan. See Figure 6. Discard the (4) bolts removed.

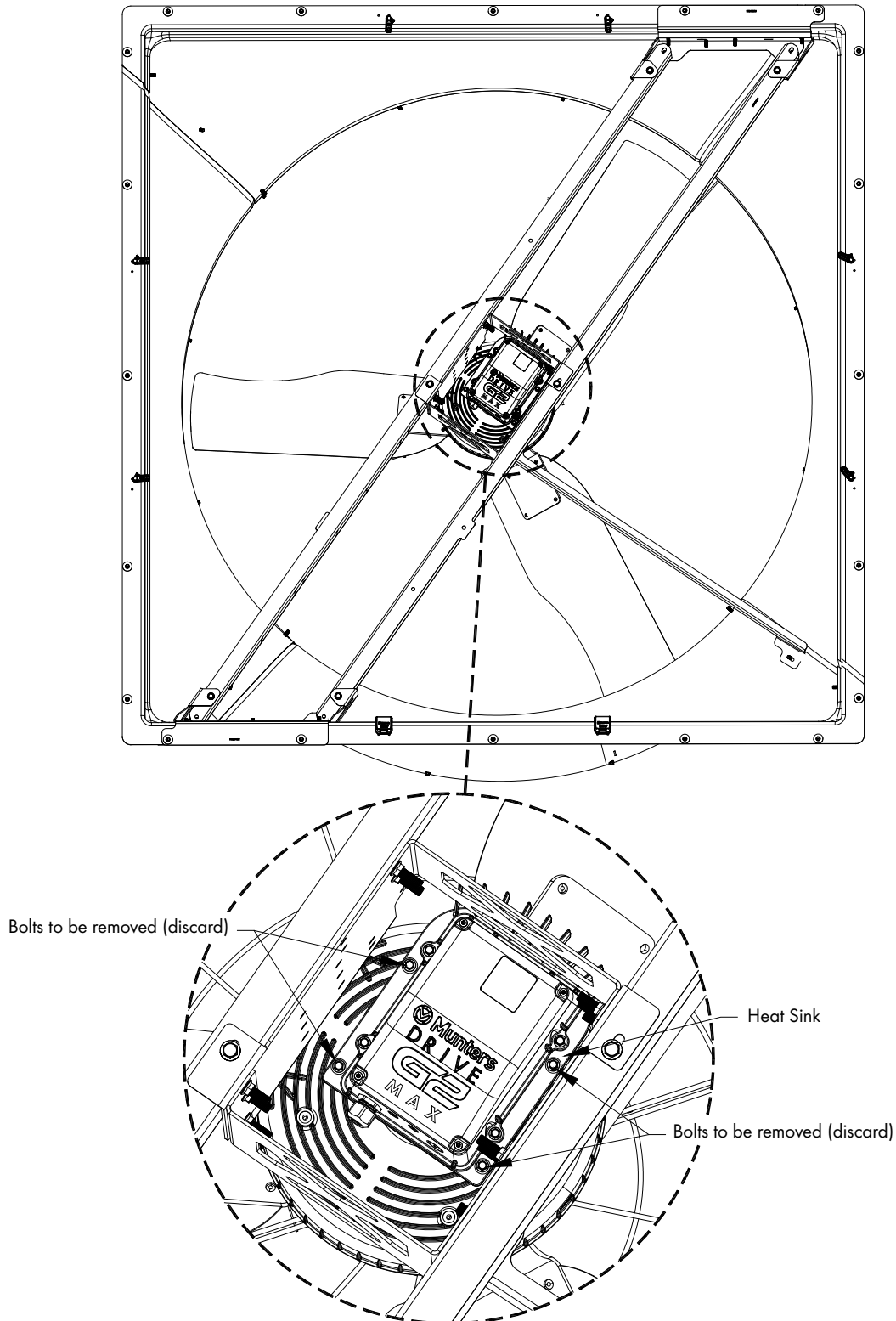


Figure 6

Step 7

Remove the (4) bolts and star washers holding the Motor to the brackets. Motor is heavy, make sure to support it while removing bolts so it does not fall and damage fan housing or Motor. See Figure 7. If you were instructed by Munters office to send the old Motor back to the office, repack it in the box that the new Motor came in to send back.

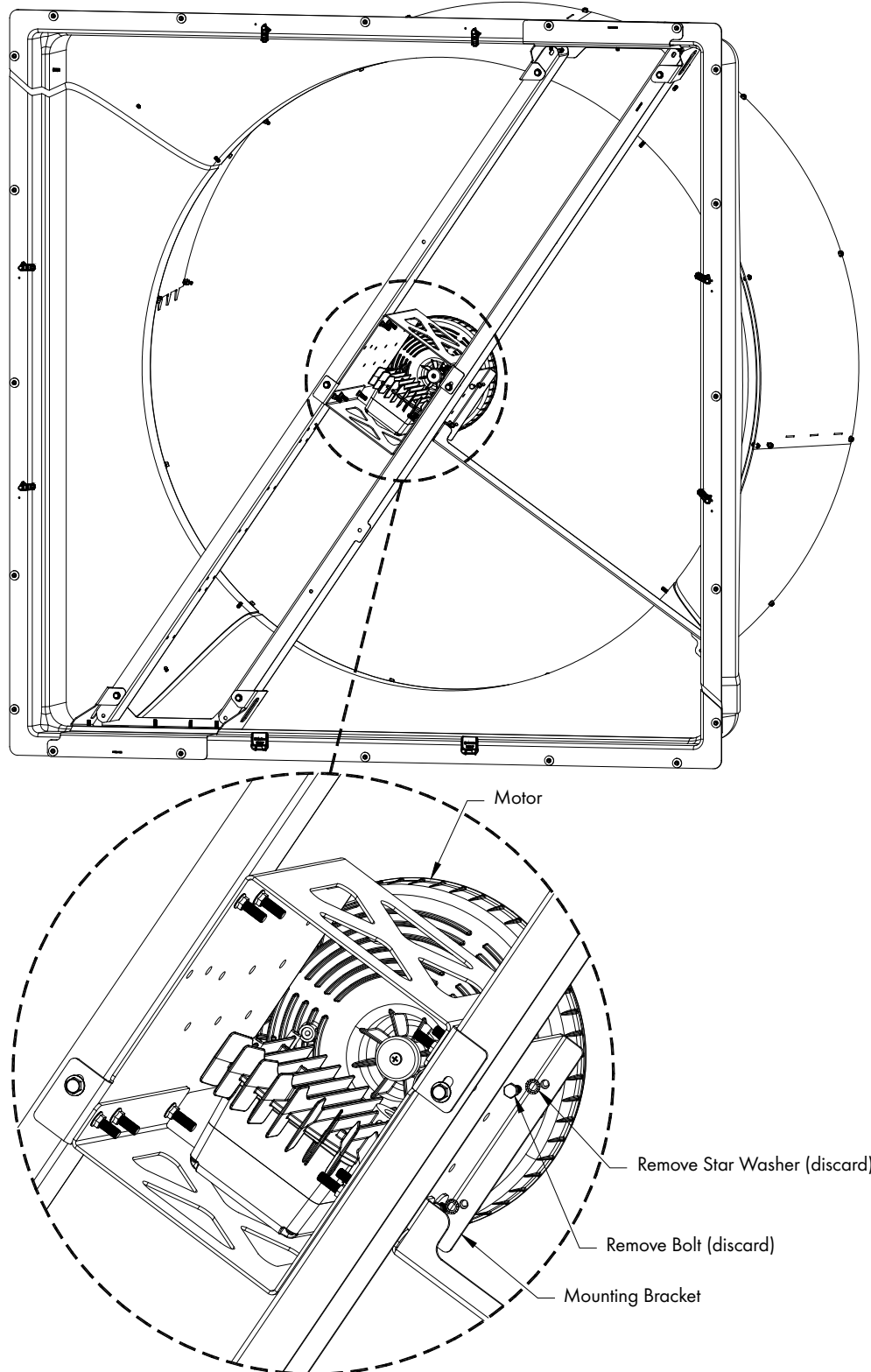


Figure 7

**Step 8**

Carefully lift Motor/Drive into place and secure in place using (4) Bolts [A] and Star Washers [B]. Tighten Bolts to 60 in-lbs. [6.8 Nm] of torque. See Figure 8.

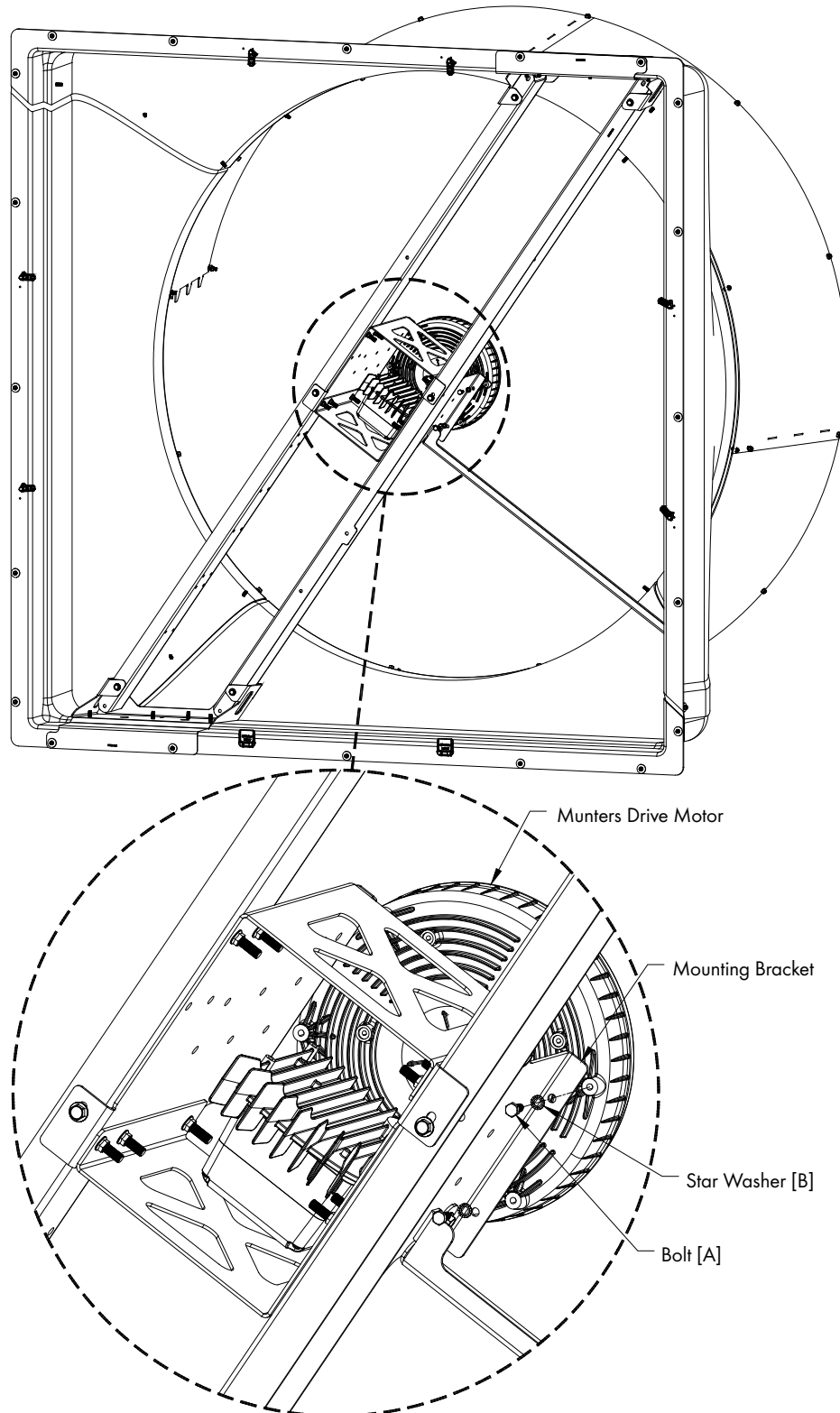


Figure 8

Step 9

Align the Wiring Entrance and (4) mounting holes in the Heat Sink with the Wiring Entrance and (4) mounting holes in the back of the Munters Drive Motor and secure in place with (4) Bolts [C]. Tighten Bolts to 60 in-lbs. [6.8 Nm] of torque. See Figure 9.

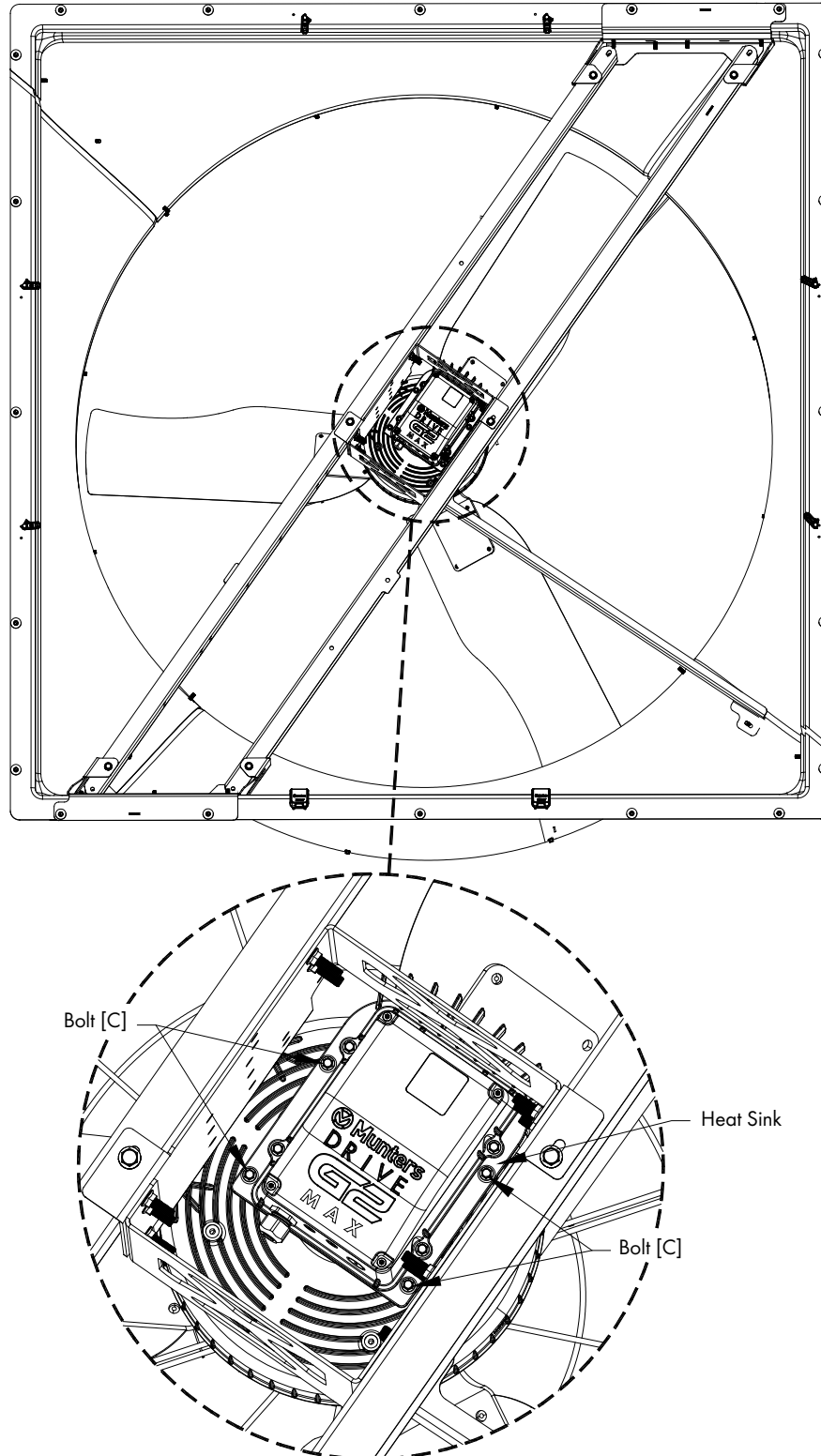


Figure 9

**Step 10**

Attach the Prop Adapter removed in Step 5 to new Motor/Drive using (4) new Bolts [A] and Star Washers [B]. Tighten Bolts to 60 in-lbs. [6.8 Nm] of torque. See Figure 10.

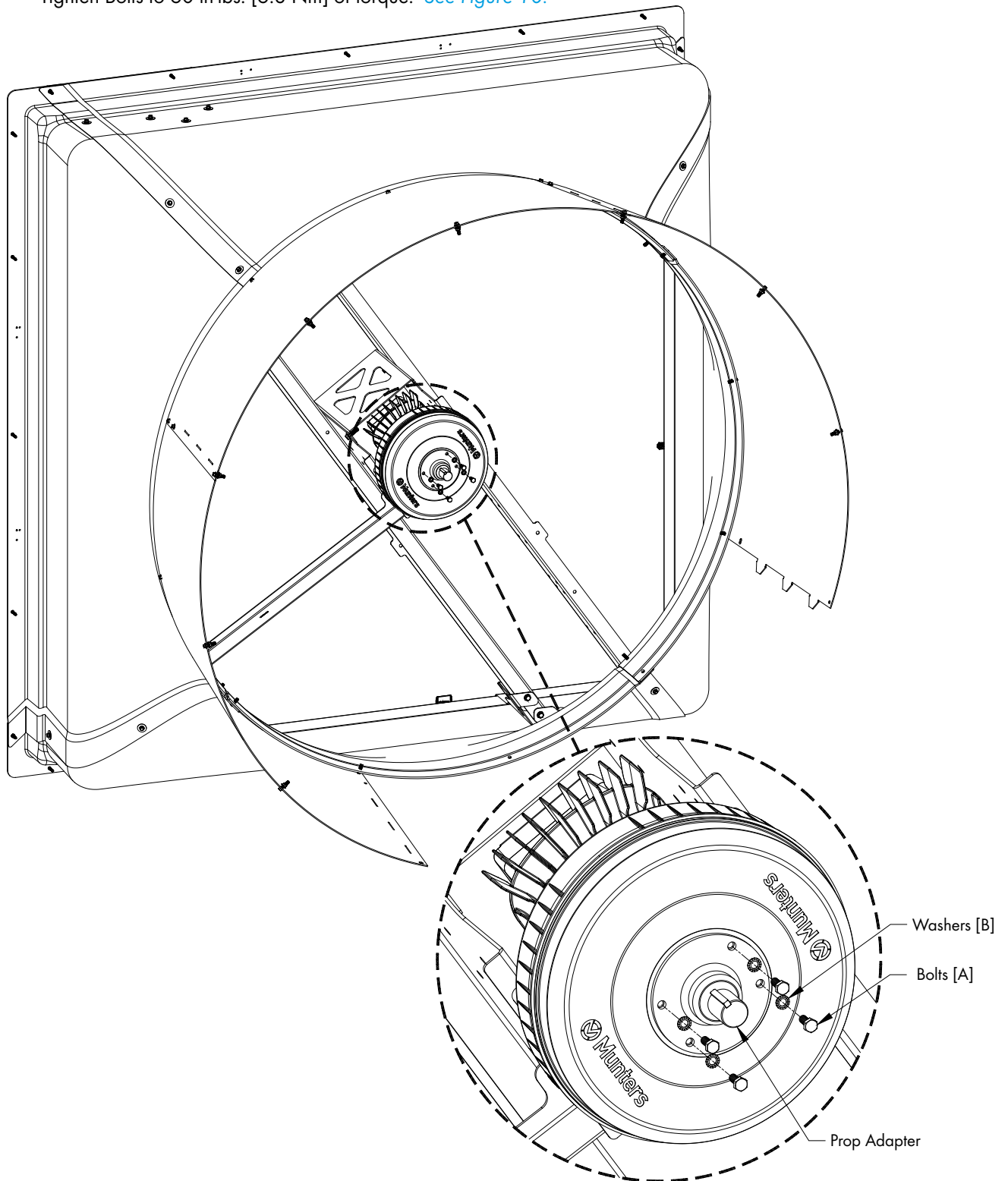


Figure 10

Step 11

Reinstall propeller onto the reinstalled Prop Adapter, replacing the key removed in Step 5. Tighten the Set Screw to 80 in-lbs. [9.0 Nm] of torque. See Figure 11.

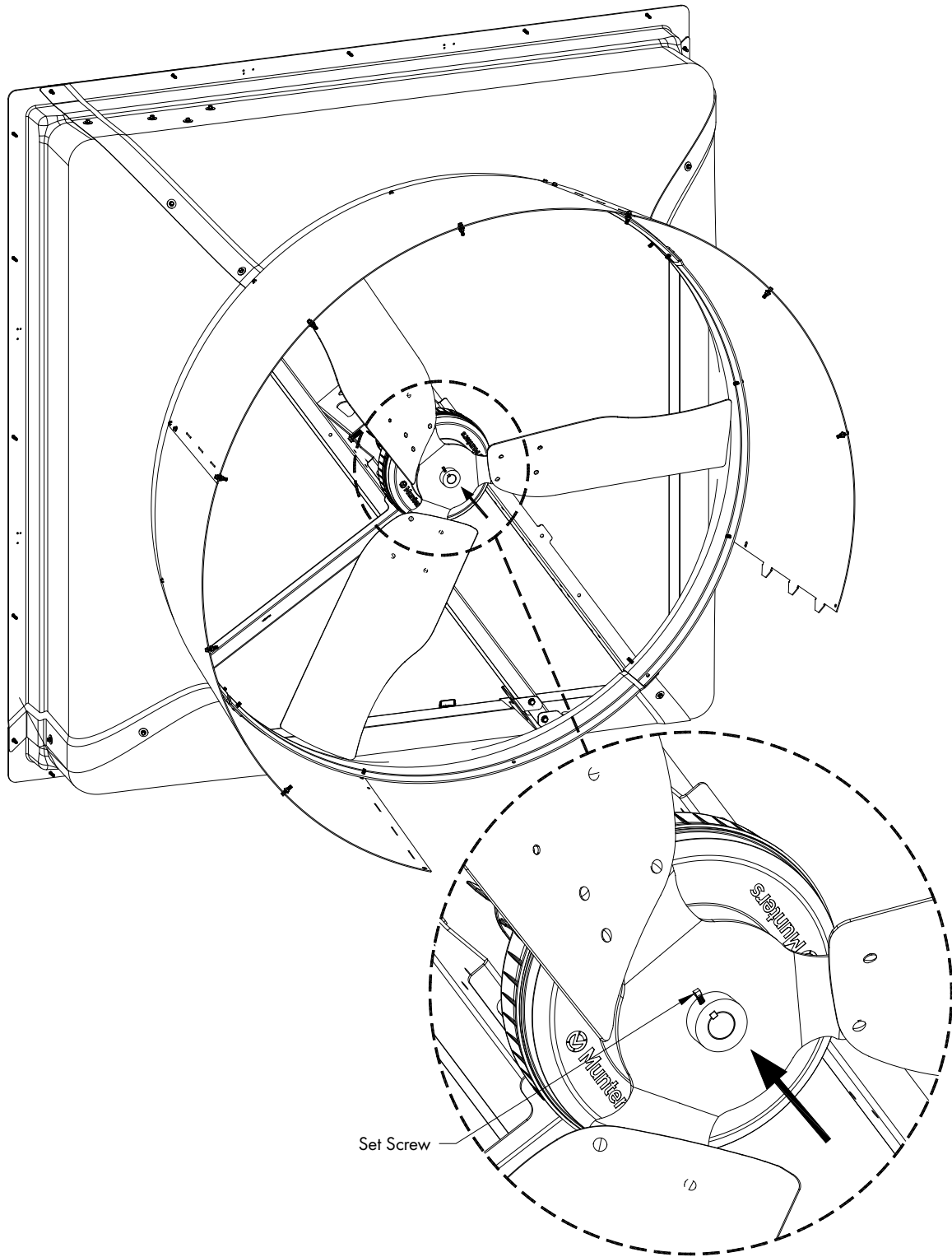


Figure 11

**Step 12**

Loosen the (4) captured screws in the Munters Drive Box cover to access the drive terminals. Reconnect the 3 wires on the right side of the drive from the terminals "U/T1, V/T2, W/T3". Then replace the cover.

See Figure 12.

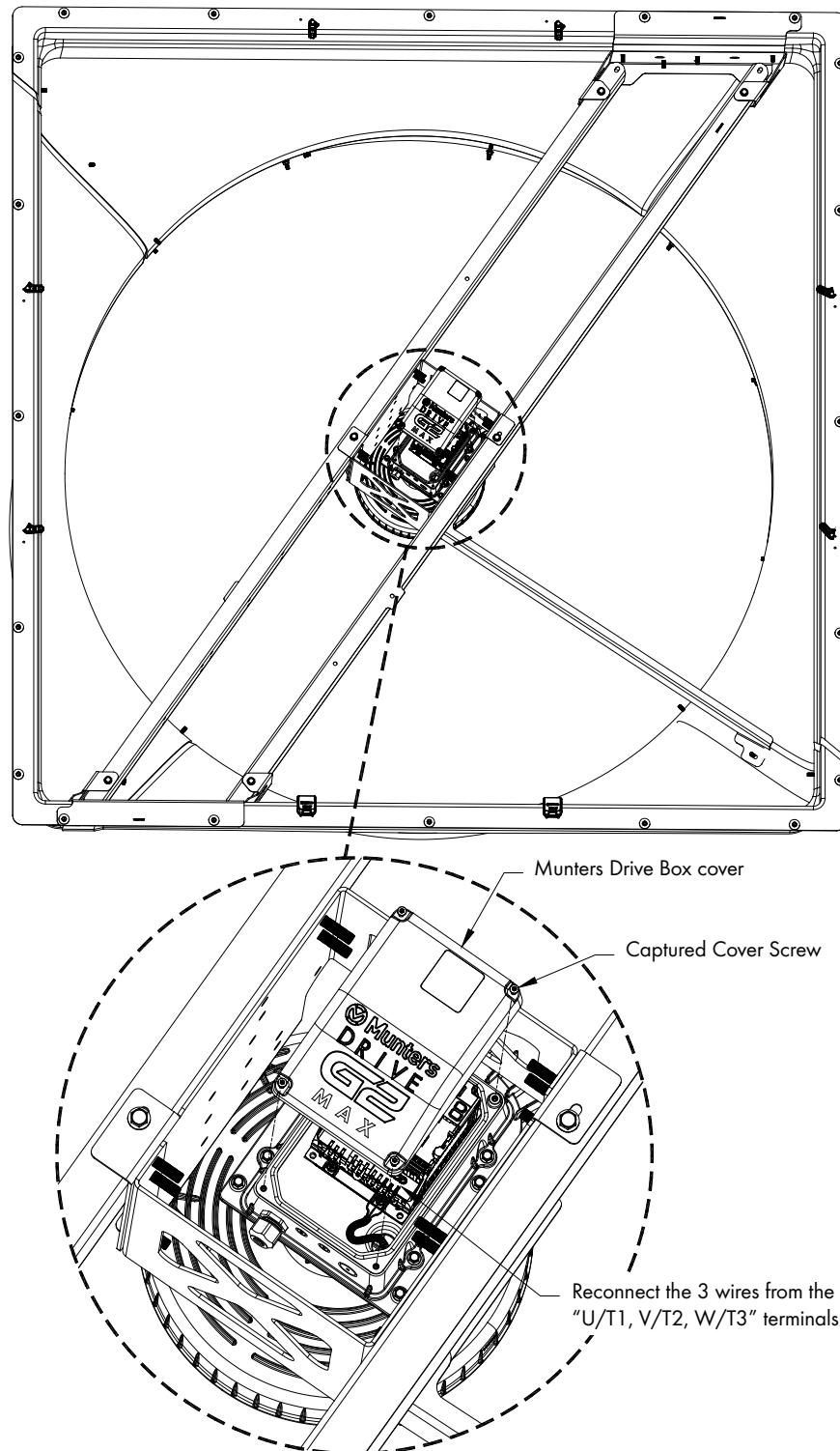


Figure 12

Step 13

Reinstall the bottom cone section and outlet guard to the fan and cone. See Figure 13.

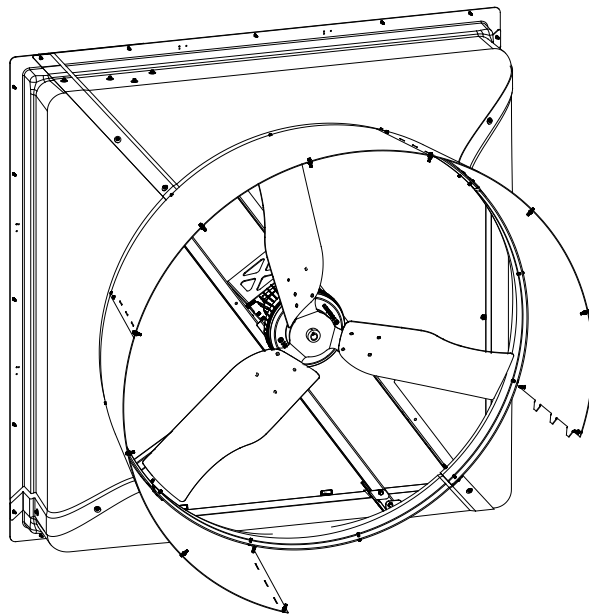


Figure 13

Step 14

Reinstall the shutter in the back of the fan and secure in place with the shutter clips. See Figure 14. Reconnect the power to the fan and make sure the fan operates properly.

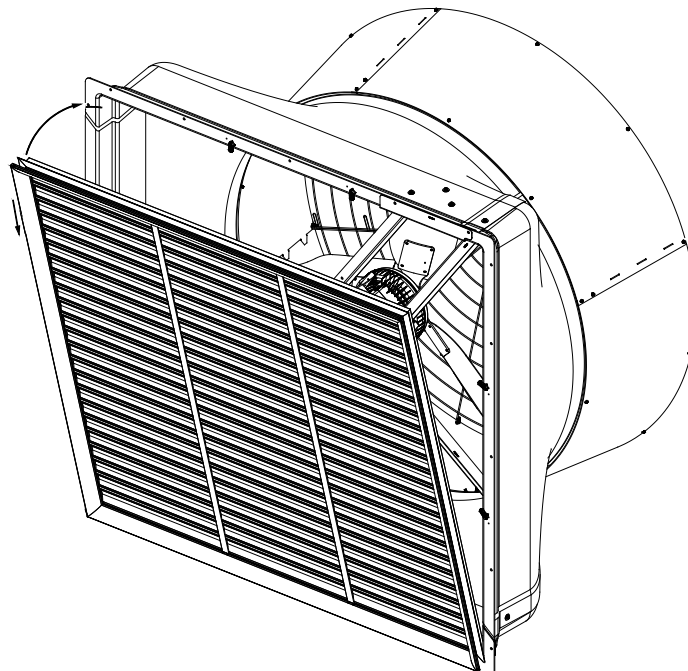


Figure 14



## 2.2 G2 Motor Replacement for CX74 Fan

### Step 15

Disconnect power from fan before continuing. Remove the front and rear guards from the fan and set safely aside to be reinstalled later. See [Figure 15](#).

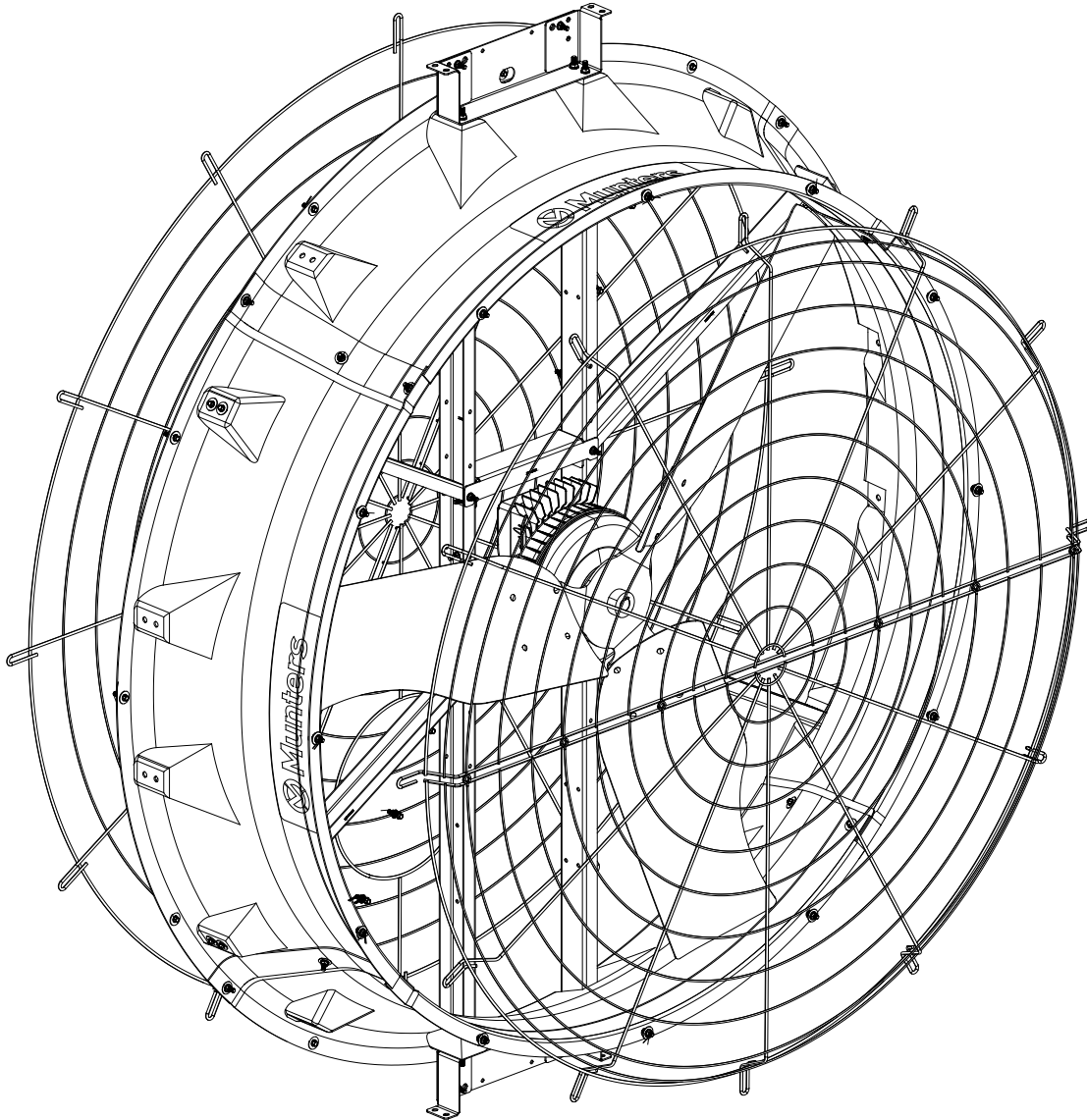


Figure 15

Step 16

Loosen the (4) captured screws in the Munters Drive Box cover to access the drive wiring. Disconnect 3 wires on the right side of the drive from the terminals "U/T1, V/T2, W/T3". Then replace the cover.

See Figure 16.

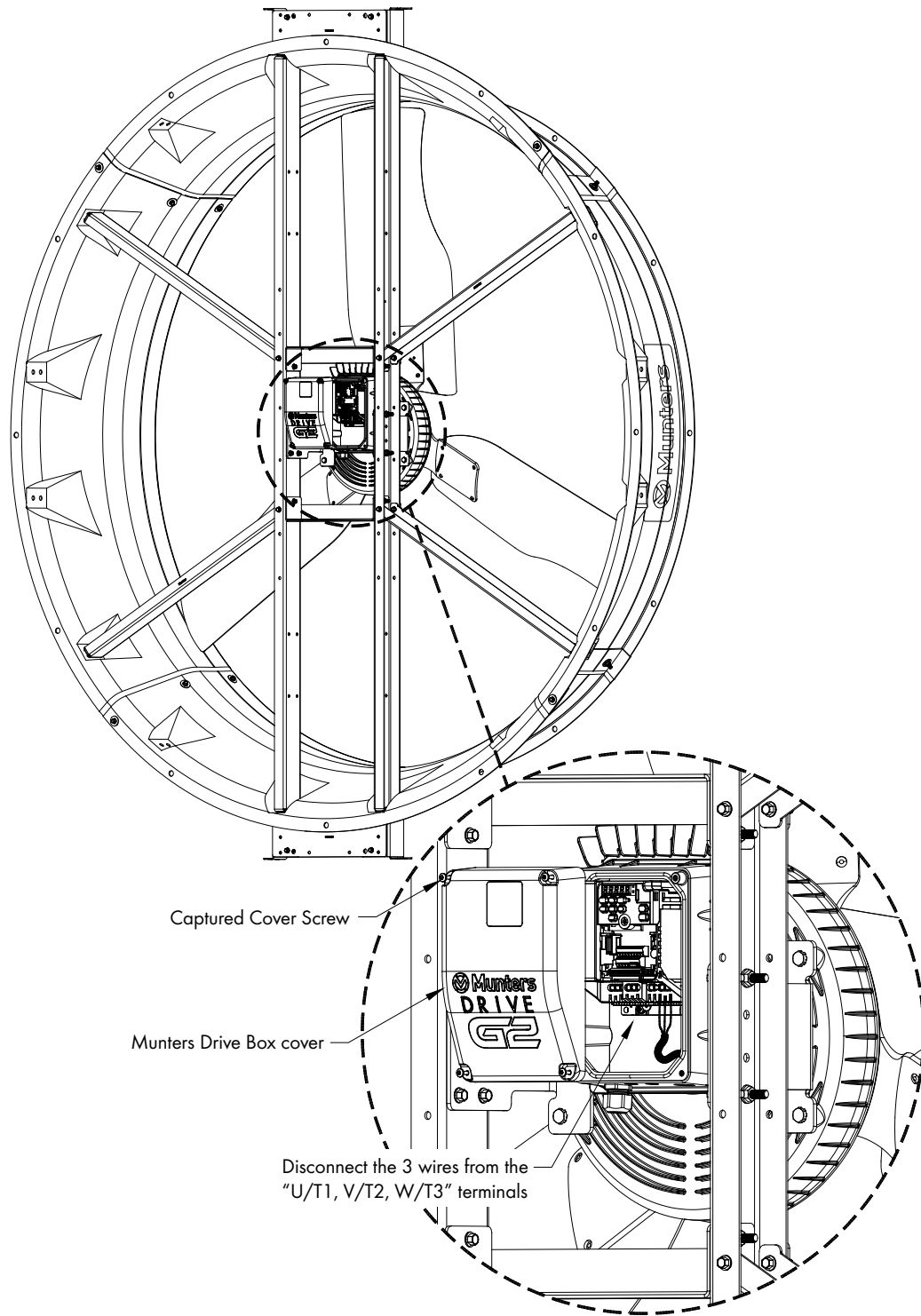


Figure 16



**Step 17**

Loosen the Set Screw holding the propeller to the shaft. Carefully remove the propeller from the fan and set safely aside to be reinstalled later. A gear puller or prop puller may need to be used.

See Figure 17. Remove Key from Prop Adapter and keep with prop to be reused later.

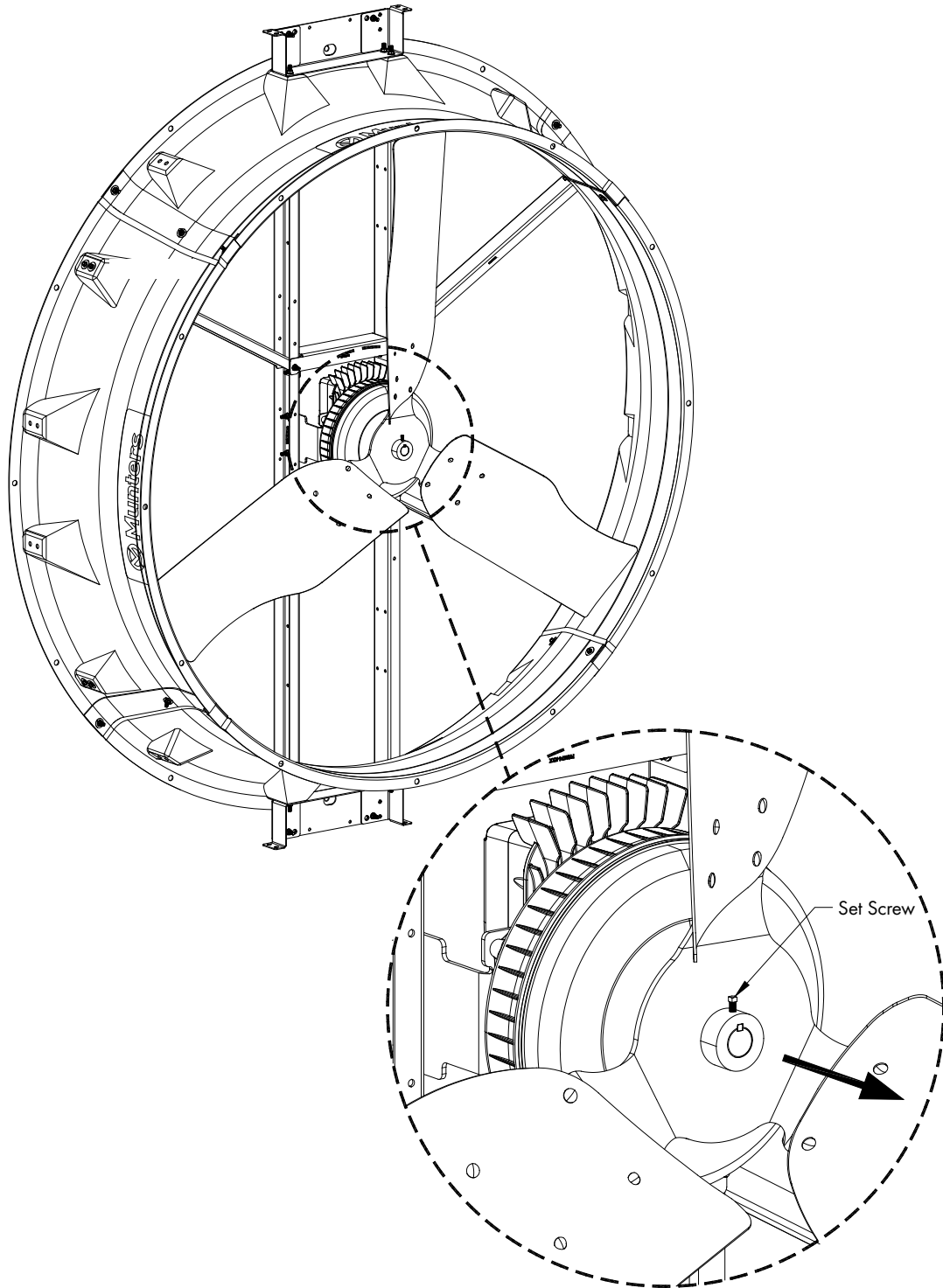


Figure 17

Step 18

Remove the (4) Bolts and Star Washers holding the Prop Adapter to the Motor. Save the Prop Adapter for reuse later, but discard the existing bolts and washers. See Figure 18.

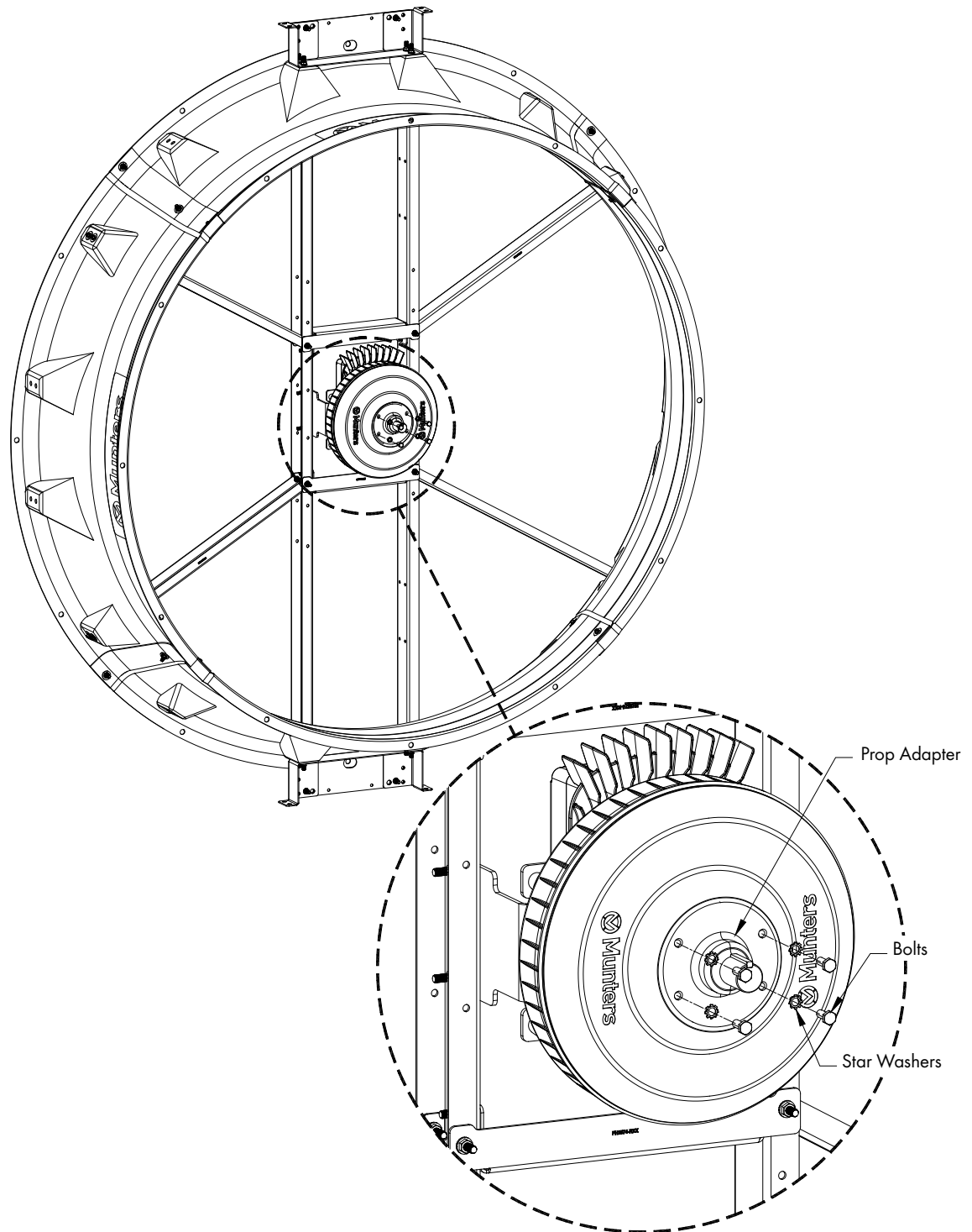


Figure 18

**Step 19**

Remove the (4) bolts holding the Heat Sink with Control Box to the back of the Munters Drive Motor and carefully set the Heat Sink with Control Box in fan. [See Figure 19](#). Discard the (4) bolts removed.

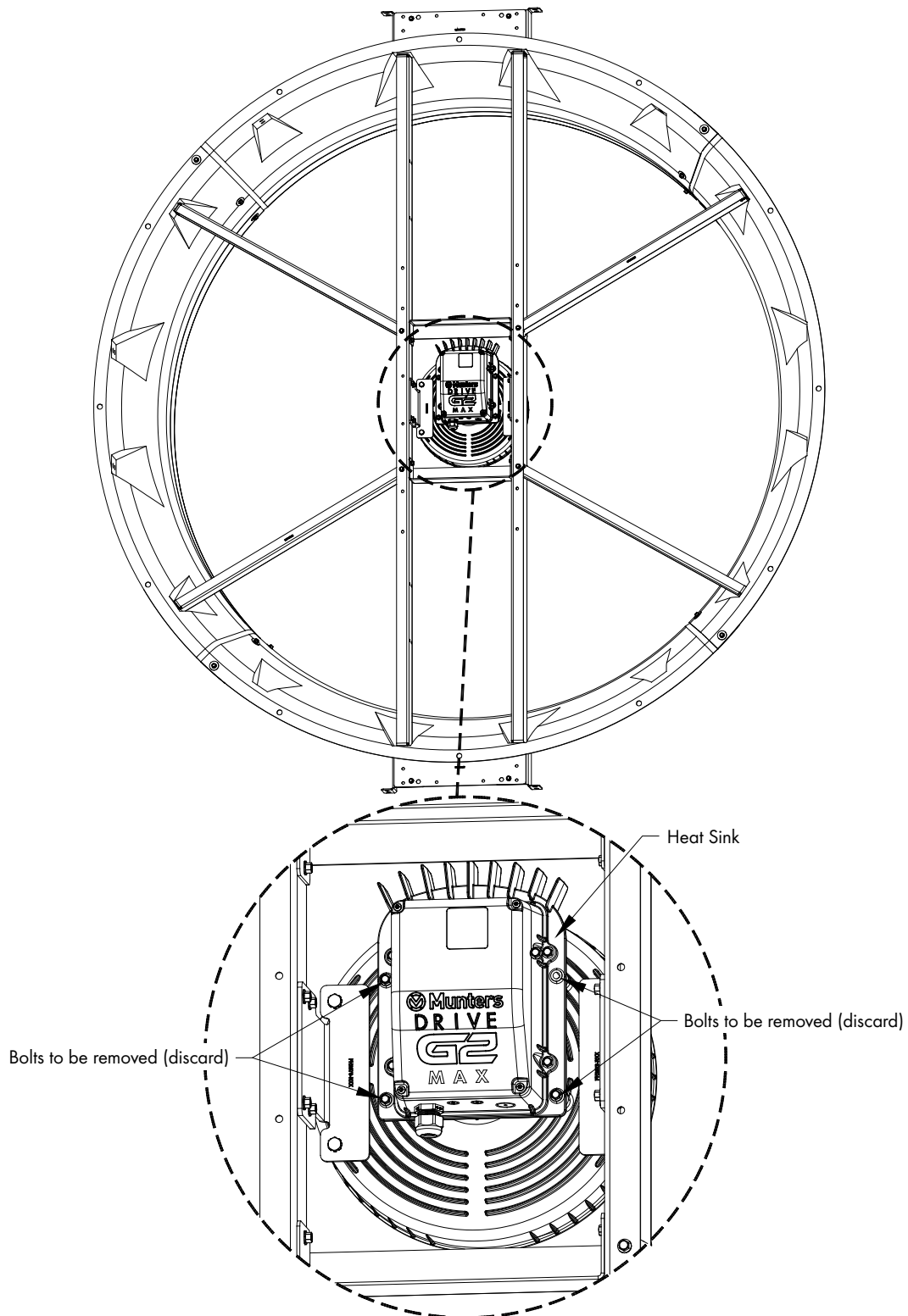


Figure 19

Step 20

Remove the (4) bolts and star washers holding the Motor to the brackets. Motor is heavy, make sure to support it while removing bolts so it does not fall and damage fan housing or Motor. See Figure 20. If you were instructed by Munters office to send the old Motor back to the office, repack it in the box that the new Motor came in to send back.

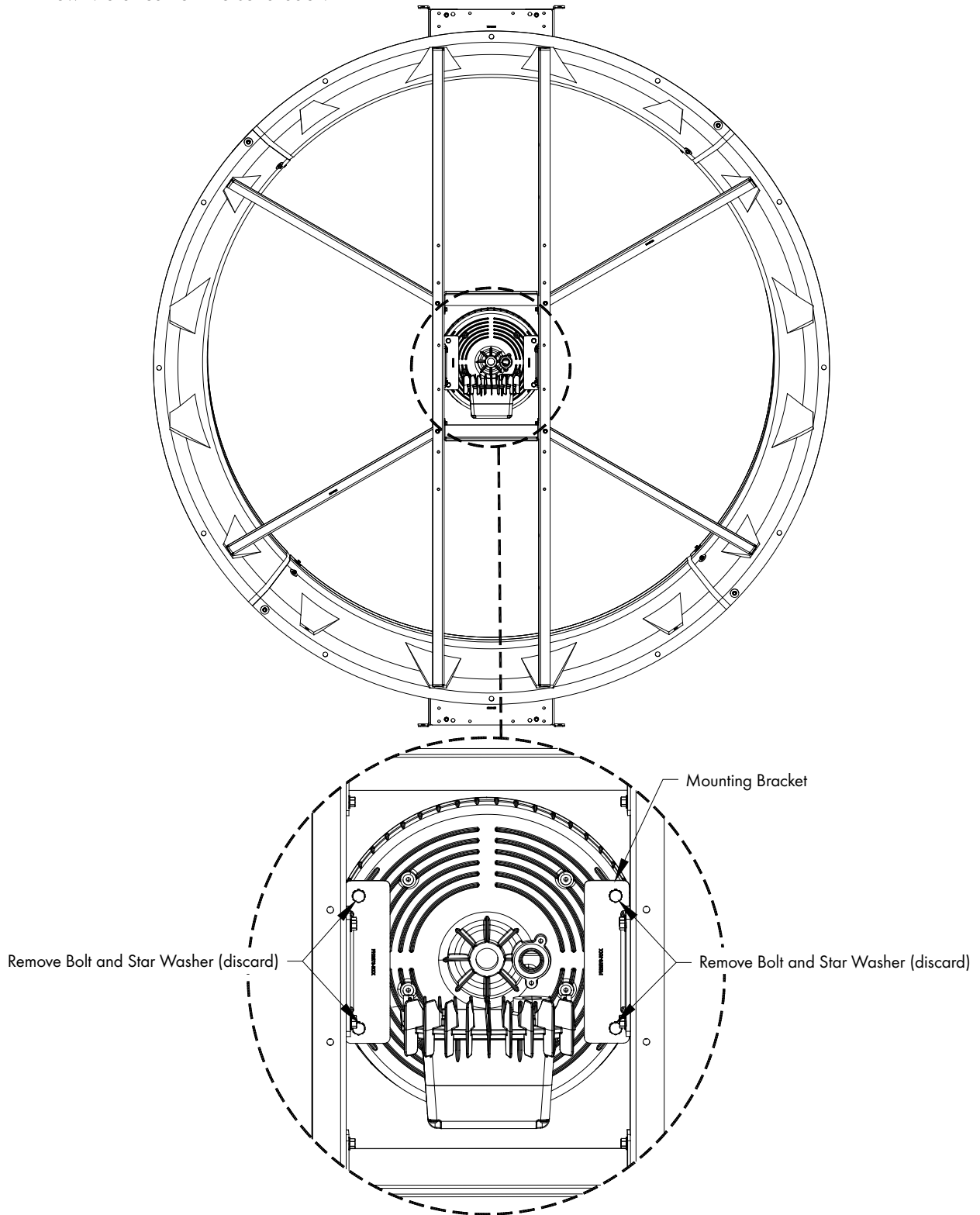


Figure 20

**Step 21**

Carefully lift Motor/Drive into place and secure in place using (4) Bolts [A] and Star Washers [B]. Tighten Bolts to 60 in-lbs. [6.8 Nm] of torque. See Figure 21.

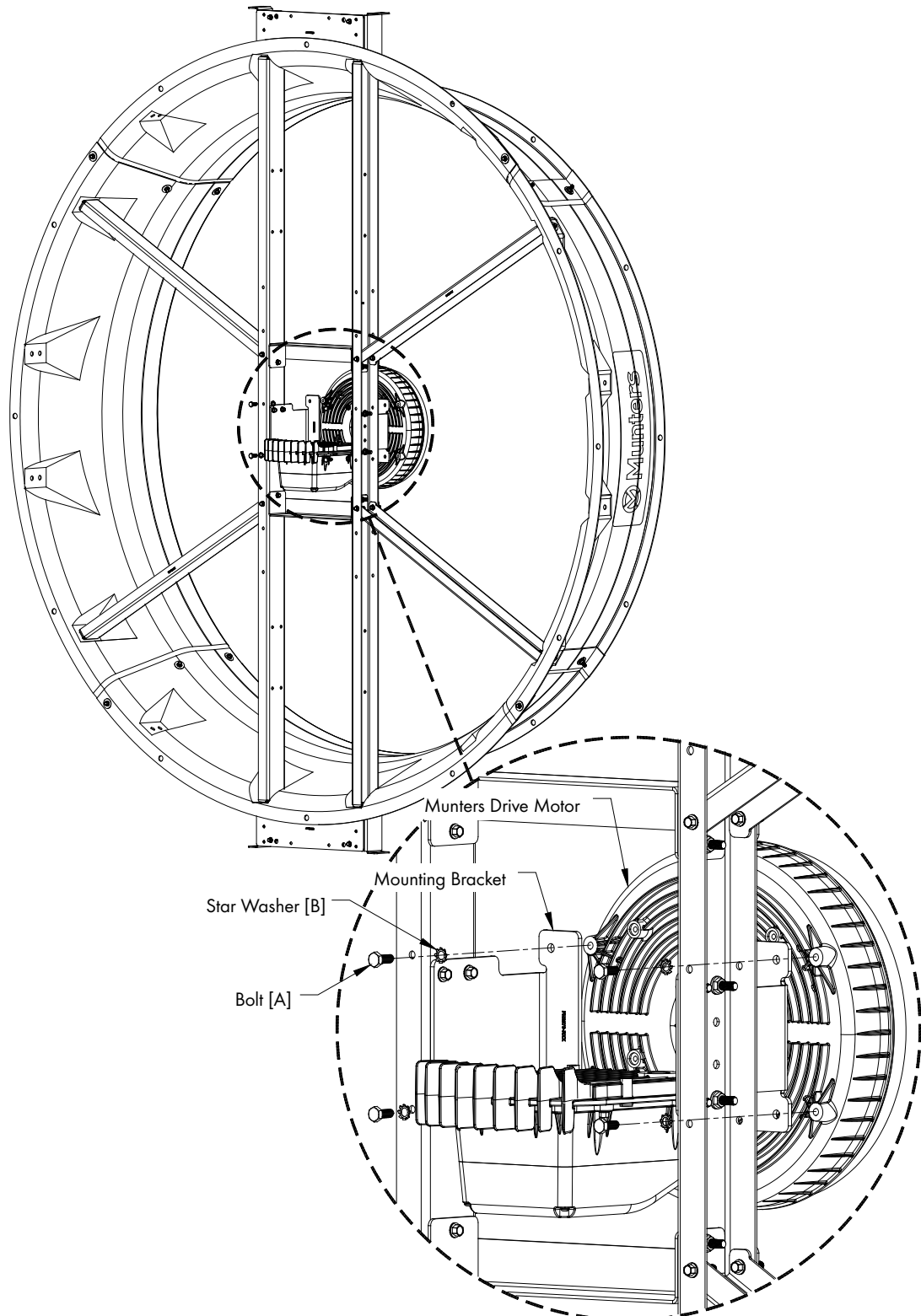


Figure 21

Step 22

Align the Wiring Entrance and (4) mounting holes in the Heat Sink with the Wiring Entrance and (4) mounting holes in the back of the Munters Drive Motor and secure in place with (4) Bolts [C]. Tighten Bolts to 60 in-lbs. [6.8 Nm] of torque. See Figure 22.

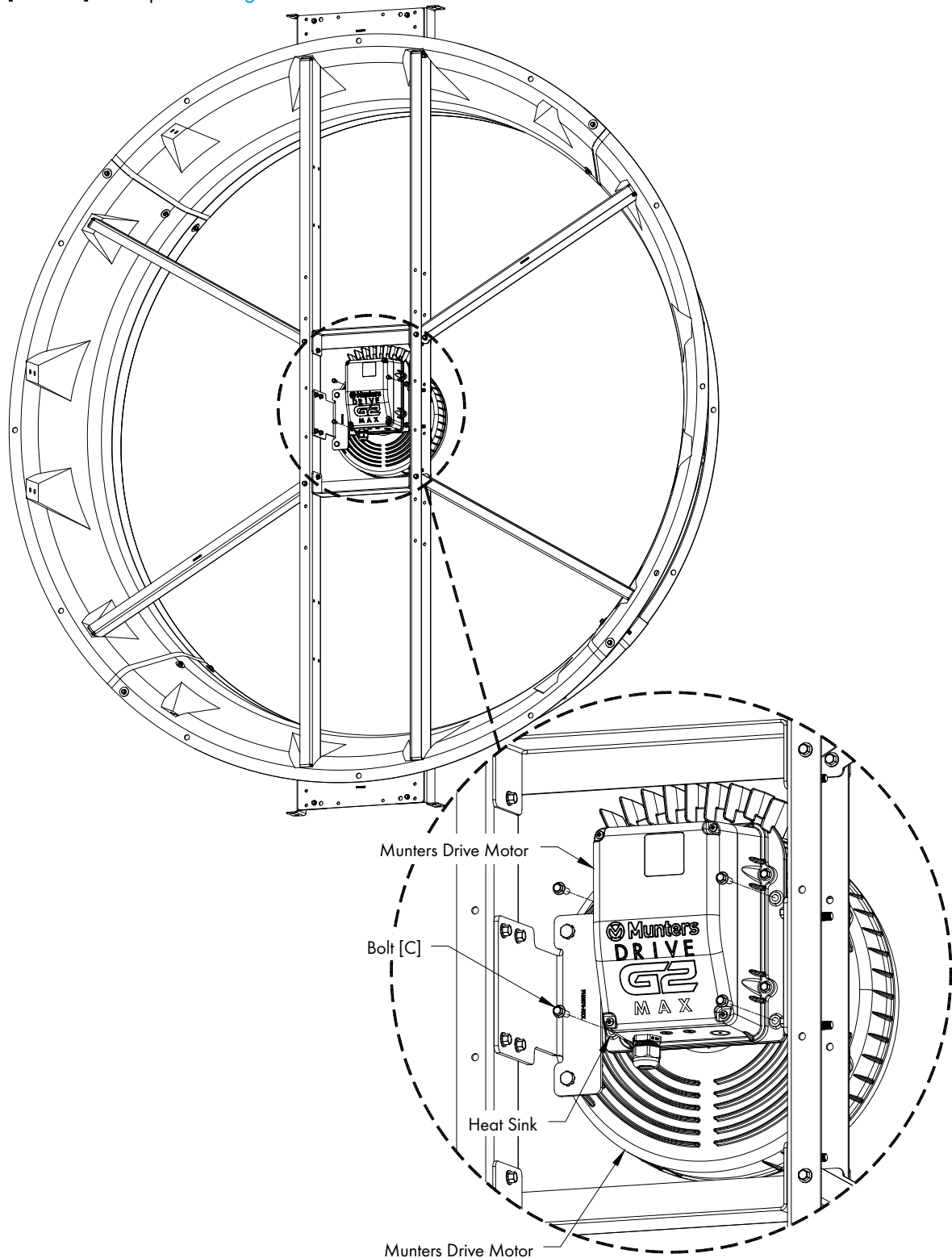


Figure 22



**Step 23**

Attach the Prop Adapter removed in Step 18 to new Motor/Drive using (4) new Bolts [A] and Star Washers [B]. Tighten Bolts to 60 in-lbs. [6.8 Nm] of torque. See Figure 23.

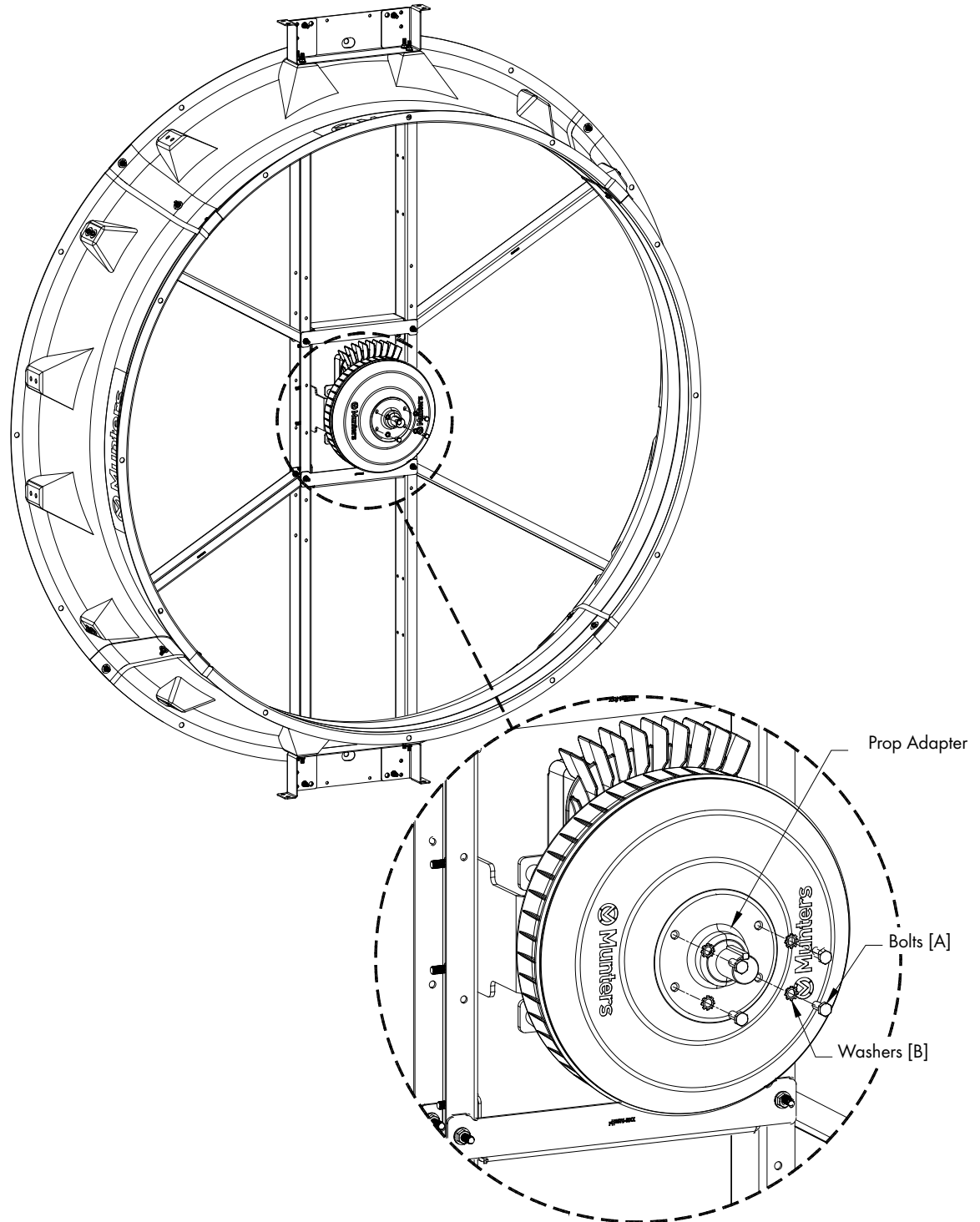


Figure 23

Step 24

Reinstall propeller onto the reinstalled Prop Adapter, replacing the key removed in Step 17. Tighten the Set Screw to 80 in-lbs. [9.0 Nm] of torque. See Figure 24.

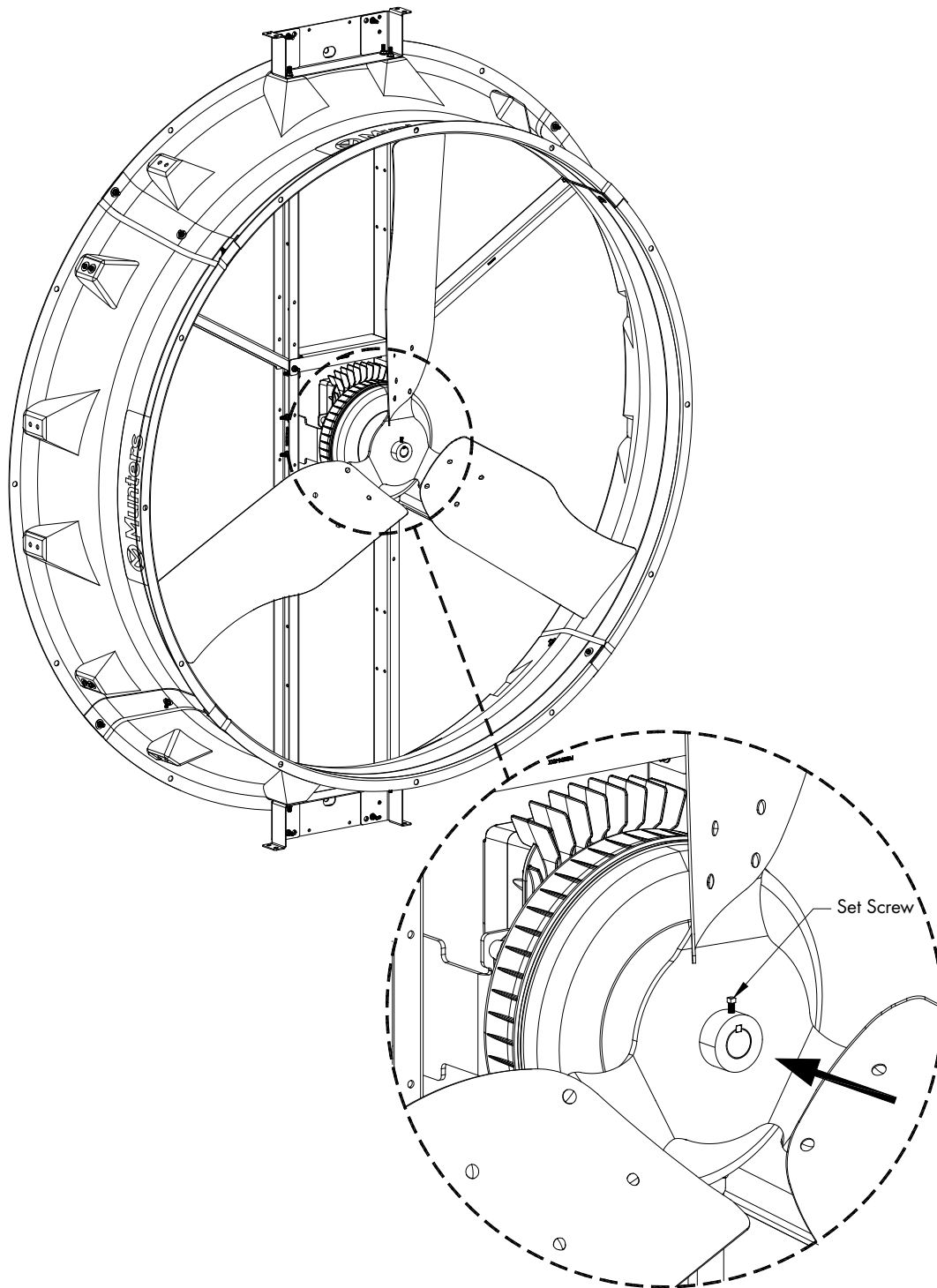


Figure 24

**Step 25**

Loosen the (4) captured screws in the Munters Drive Box cover to access the drive terminals. Reconnect the 3 wires on the right side of the drive from the terminals "U/T1, V/T2, W/T3". Then replace the cover.

See Figure 25. If the guards were removed in Step 15, reinstall them at this time.

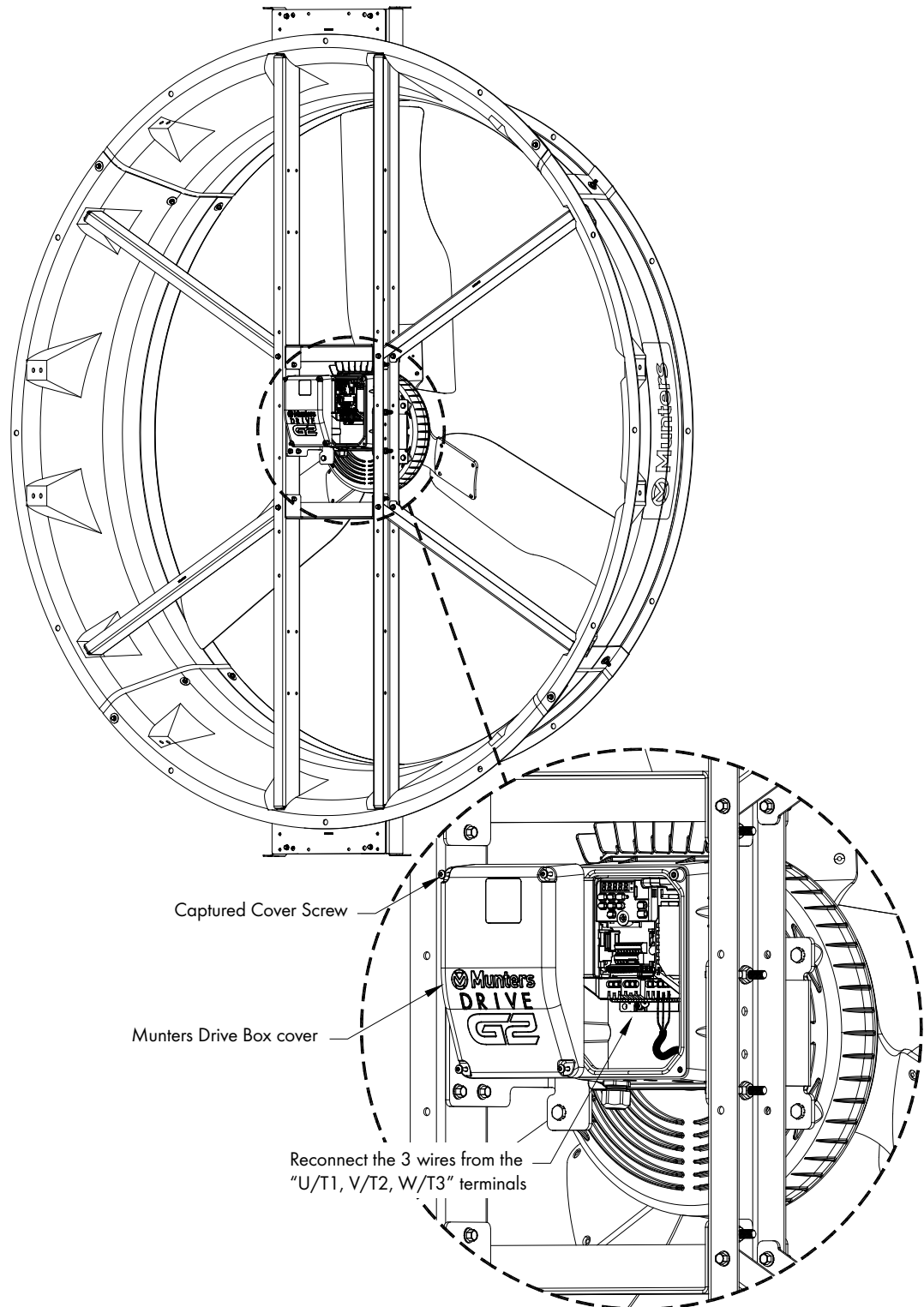


Figure 25

Munters Drive replacement kit is developed and produced by Munters Corporation, Lansing, Michigan U.S.A. 1-800-227-2376



Munters Europe AB, Isafjordsgatan 1, P.O. Box 1150, SE-164 26 Kista, Sweden. Phone +46 08 626 63 00, Fax +46 8 754 56 66.

Munters Corporation 2691 Ena Drive Lansing, MI 48917 U.S.A. Phone +1 800-227-2376, Fax +1 517-676-7078

[www.munters.us](http://www.munters.us)

[Australia](#) Munters Pty Limited, Phone +61 2 6025 6422, [Brazil](#) Munters Brasil Industria e Comercio Ltda, Phone +55 41 3317 5050, [Canada/US](#) Munters Corporation Lansing, MI Phone +1 517 676 7070, [China](#) Munters Air Treatment Equipment (Beijing) Co. Ltd, Phone +86 10 80 481 121, [Denmark](#) Munters A/S, Phone +45 9862 3311, [India](#) Munters India, Phone +91 20 3052 2520, [Indonesia](#) Munters, Phone +62 818 739 235, [Italy](#) Munters Italy S.p.A., Chiusavecchia, Phone +39 0183 52 11, [Japan](#) Munters K.K., Phone +81 3 5970 0021, [Korea](#) Munters Korea Co. Ltd., Phone +82 2 761 8701, [Mexico](#) Munters Mexico, Phone +52 818 262 54 00, [Russia](#) Munters AB, Phone +7 812 448 5740, [Singapore](#) Munters Pte Ltd., Phone +65 744 6828, [South Africa and Sub-Sahara Countries](#) Munters (Pty) Ltd., Phone +27 11 997 2000, [Spain](#) Munters Spain S.A., Phone +34 91 640 09 02, [Sweden](#) Munters AB, Phone +46 8 626 63 00, [Thailand](#) Munters Co. Ltd., Phone +66 2 642 2670, [Turkey](#) Munters Form Endüstri Sistemleri A.Ş, Phone +90 322 231 1338, [USA](#) Munters Corporation Lansing, MI Phone +1 517 676 7070, [Vietnam](#) Munters Vietnam, Phone +84 8 3825 6838, [Export & Other countries](#) Munters Italy S.p.A., Chiusavecchia Phone +39 0183 52 11