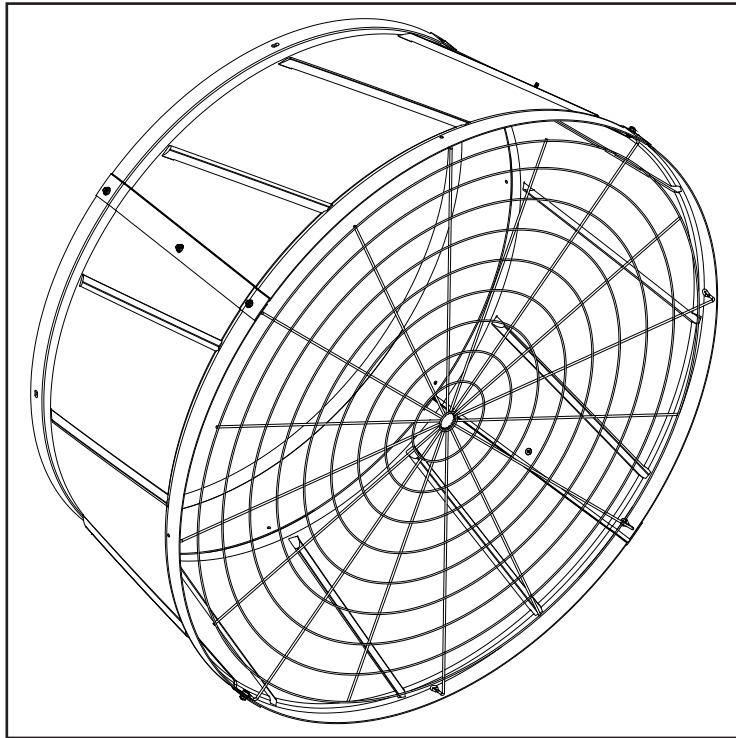


Instruction Manual



Discharge Cone

"FC" Series
51" & 55"

Discharge Cone

"FC" Series for 51" and 55" Fans

Models: 51FC • 55FC

Discharge Cone “FC” Series

Instructions for Use and Maintenance

Thank You:

Thank you for purchasing a Munters “FC” Series Discharge Cone. Munters equipment is designed to be the highest performing, highest quality equipment you can buy. With the proper installation and maintenance it will provide many years of service.

Please Note:

To achieve maximum performance and insure long life from your Munters product it is essential that it be installed and maintained properly. Please read all instructions carefully before beginning installation.

Warranty:

For Warranty claims information see the “Warranty Claims and Return Policy” form QM1021 available from the [Munters Corporation office at 1-800-227-2376](#) or by e-mail at aghort.info@munters.com.

Conditions and Limitations:

- Products and Systems involved in a warranty claim under the “Warranty Claims and Return Policy” shall have been properly installed, maintained and operated under competent supervision, according to the instructions provided by Munters Corporation.
- Malfunction or failure resulting from misuse, abuse, negligence, alteration, accident or lack of proper installation or maintenance shall not be considered a defect under the Warranty.

Index

Chapters	Page
1. Unpacking the Equipment	4
1.1 Parts List	4
1.2 Dimensions	4
2. Installation Instructions	5
2.1 Installation	5
2.2 51FC and 55FC Guard Installation	6
2.3 51FCE Guard Installation	7
3. Winterizing	8
3.1 Winterizing	8
3.2 Winter Weather Protection	8
4. Exploded View and Parts List	9

Unpacking the Equipment

1.

Before beginning installation, check the overall condition of the equipment. Remove packing materials, and examine all components for signs of shipping damage. Any shipping damage is the customer's responsibility and should be reported immediately to your freight carrier.

1.1 Parts List

Each Cone Includes:

- 4 - Cone Sections (all the same)
- 1 - Guard
- 1 - Hardware Package for the following:

HP1074 - 51FC Cone

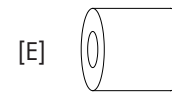
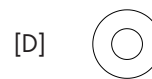
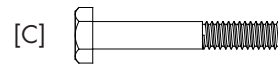
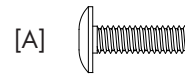
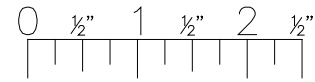
ID	Qty.	Cat. No.	Description
[A]	20	KS0650	1/4"-20 x 7/8" Truss Head Bolt, SS
[B]	20	KN1717	1/4"-20 Hex Flange, Nylock Nut, SS

HP1160 - 55FC Cone

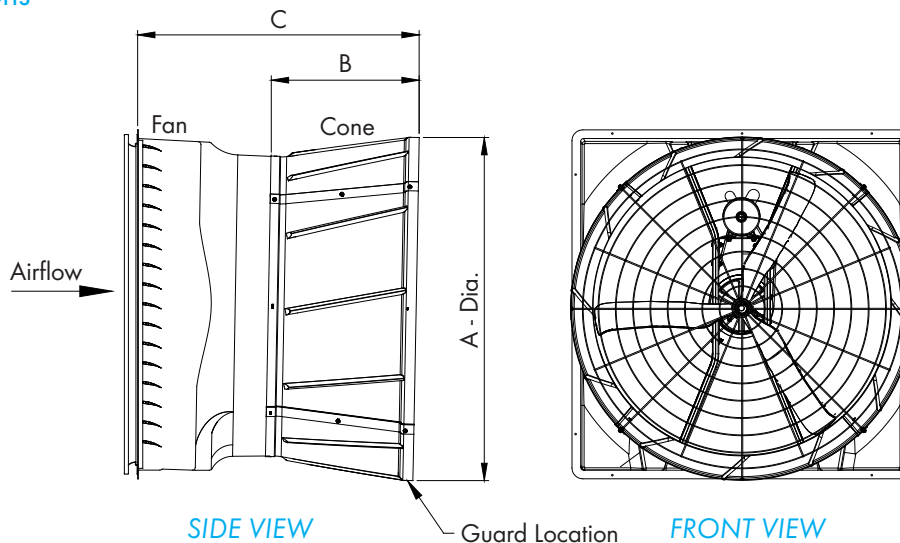
ID	Qty.	Cat. No.	Description
[A]	24	KS0650	1/4"-20 x 7/8" Truss Head Bolt, SS
[B]	24	KN1717	1/4"-20 Hex Flange, Nylock Nut, SS

HP1091 - 51FCE

ID	Qty.	Cat. No.	Description
[A]	16	KS0650	1/4"-20 x 7/8" Truss Head Bolt, SS
[B]	24	KN1717	1/4"-20 Hex Flange, Nylock Nut, SS
[C]	8	KS1006	1/4"-20 x 1.75" Hex Head Bolt, SS
[D]	8	KW3002	1/4" Type-A Narrow Flat Washer, SS
[E]	8	KX1257	.32"IDx.75"ODx.75"L. Spacer, BLK NY



1.2 Dimensions



Cat. No.	Fan Dia.	A - Dia.	B	C
51FCE	51"	63 1/8"	37 1/2"	59 15/16"
51FC	51"	59 1/2"	24 7/8"	48 1/16"
55FC	55"	63 3/4"	24 7/32"	50 1/4"

Installation Instructions

2.

2.1 Installation

Note: The fan must be installed in the wall before proceeding with Discharge Cone installation.

Step 1

Remove packaging from cone sections and guard.

Step 2

Place (1) cone section on top of the fan outlet as shown in [Figure 1](#). Install (2) Bolts [A] through holes in fan outlet and left and middle slots in cone section and secure with Nut [B]. Truss Head of each bolt must be on inside of fan outlet, Flange Nuts must be on outside of cone. [See Figure 2](#). Tighten bolts and nuts until cone section fits firmly around fan outlet.

Step 3

Facing fan outlet and working in a clockwise rotation, place right cone section on side of fan outlet, overlapping the first cone section. Attach it to fan outlet using (2) Bolts [A] and Nuts [B], as before. DO NOT tighten nuts at this time.

Step 4

Repeat Step 3 placing bottom and left cone sections around fan outlet. The bolt in the left hole of the first cone section will need to be removed to attach the last cone section.

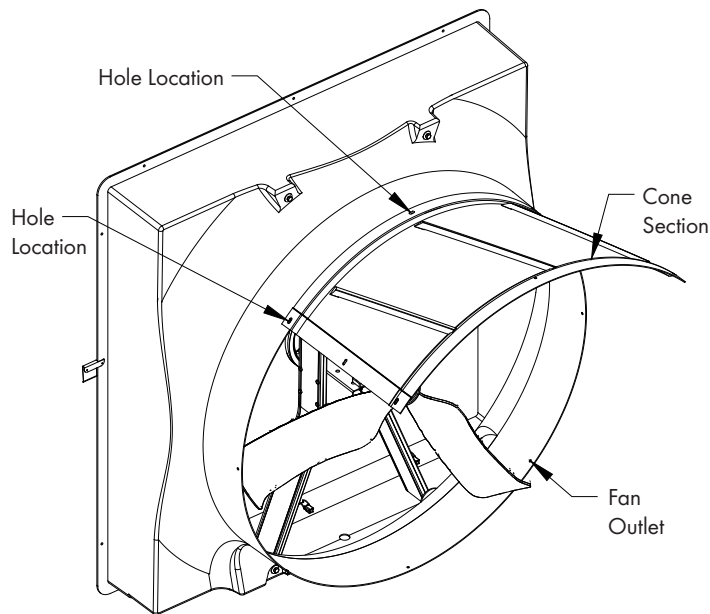


Figure 1

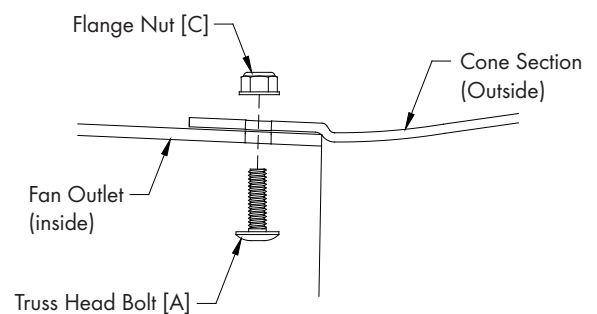


Figure 2

Step 5

Join Cone Sections together by installing Bolt [A] through hole and into slots in the center of each joint and secure with Nut [B]. See Figure 3A and 3B. Tighten nuts finger tight at this time. For 51FCE, join cone sections together by installing Bolts [A] through (2) holes and into slots in the center of each joint.

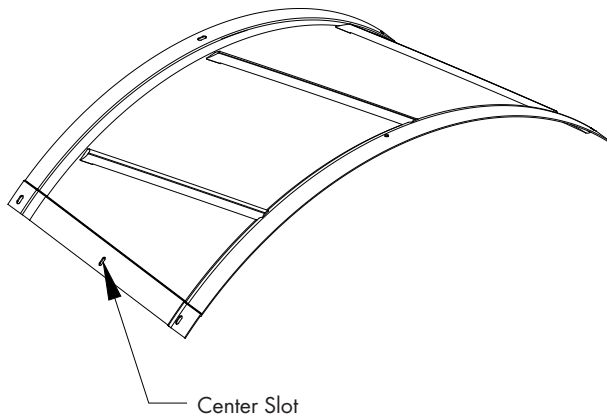


Figure 3A

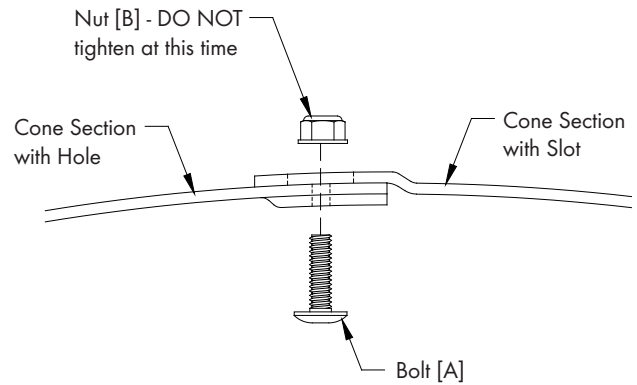


Figure 3B

2.2 51FC and 55FC Guard Installation

Step 6A

Insert Guard into Cone with the Guard Eyelets facing away from you (in). Make sure each Eyelet lines up with a hole in the cone sections and fasten in place with (8) Bolts [A] and Nuts [B]. DO NOT tighten bolts at this time. See Figure 4A and 4B.

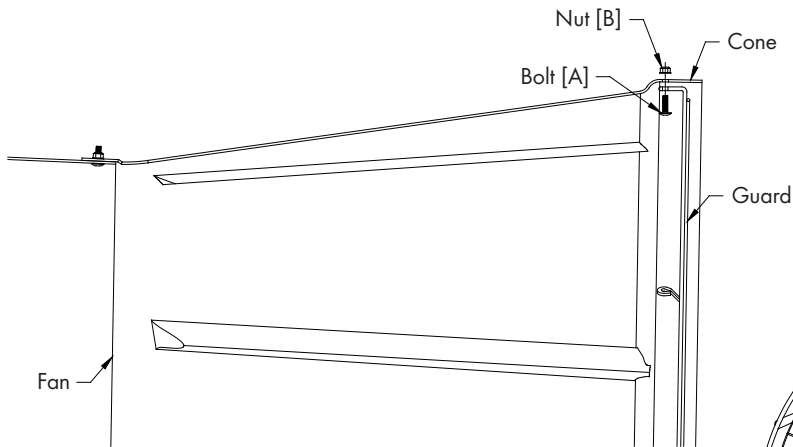


Figure 4A

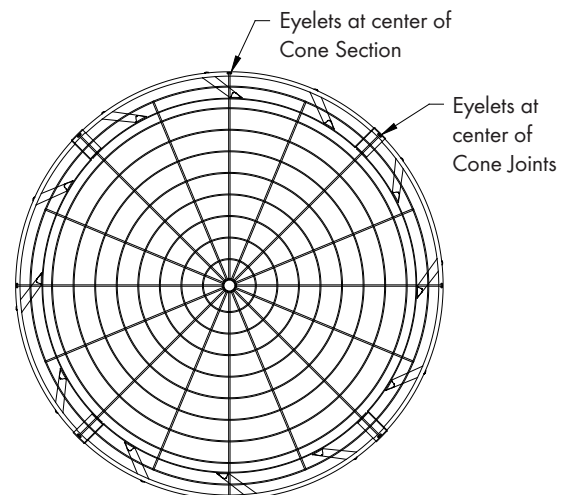


Figure 4B

2.3 51FCE Guard Installation

Step 6B

Insert Guard into Cone with the Guard Eyelets facing away from you (in). Make sure each Eyelet lines up with a hole in the cone sections and fasten in place with (8) Hex Bolts [C], Washer [D], Spacer [E] and Nuts [B]. DO NOT tighten bolts at this time. See [Figure 5A and 5B](#).

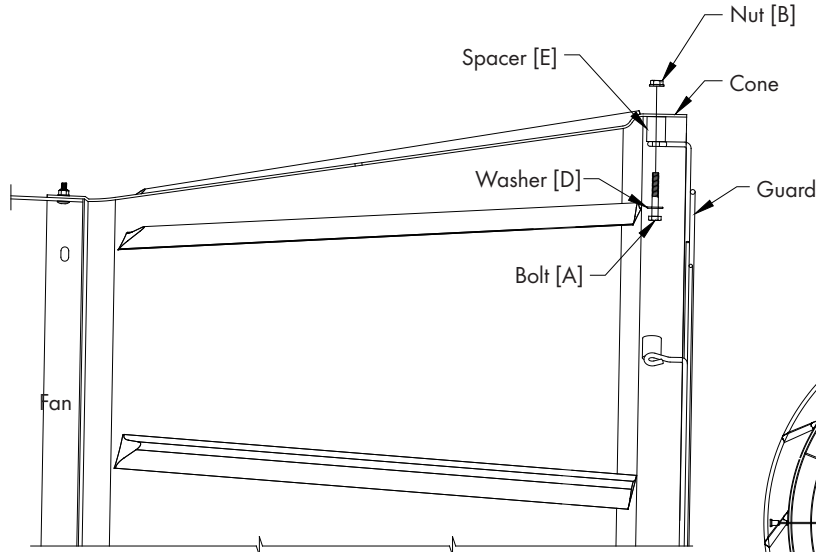


Figure 5A

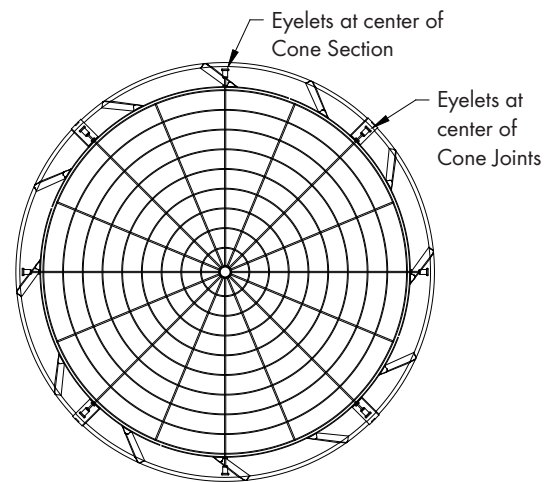


Figure 5B

Step 7

Push Cone Sections together at each joint to tight cone around guard. Tighten Bolts and Nuts at all joints, taking care not to overtighten. Tighten all bolts holding guard in place.

Step 8

Installation complete. Proceed to Winterizing chapter.

3.1 Winterizing

In most climates, it is probable that the ventilation system will never need to operate at a total capacity during the colder winter months. Consequently, it is advisable to “winterize” those fans which will not be used in cold weather to avoid unnecessary heat loss and condensation.

To winterize, turn fan control “off”. Install the insulated closure panel over the fan intake. If you don’t have an insulated closure panel, a piece of rigid insulation material can be used. Remember the insulation panel must be removed before warmer weather returns.

NOTE: At least one single speed fan should be left uncovered and with power available to provide air movement in the event of variable speed control difficulties.

3.2 Winter Weather Protection

To prevent cone or fan damage from snow or ice sliding off building roof, weather protection must be provided. A weather shelter may be constructed to cover the entire fan, *See Figure 6*, or snow guards may be placed on the roof, *See Figure 7*.

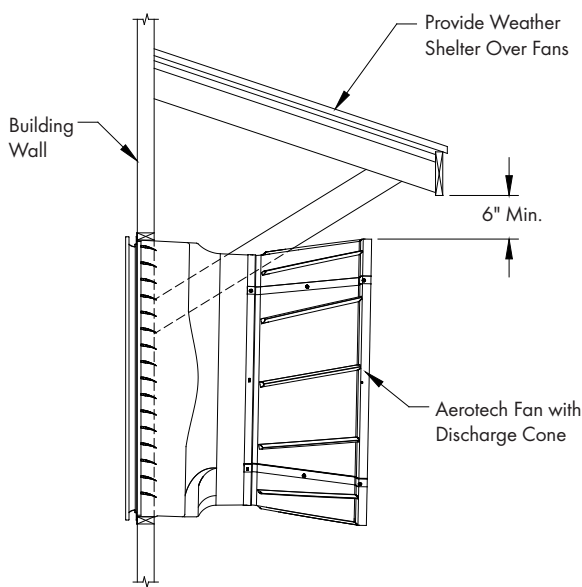


Figure 6

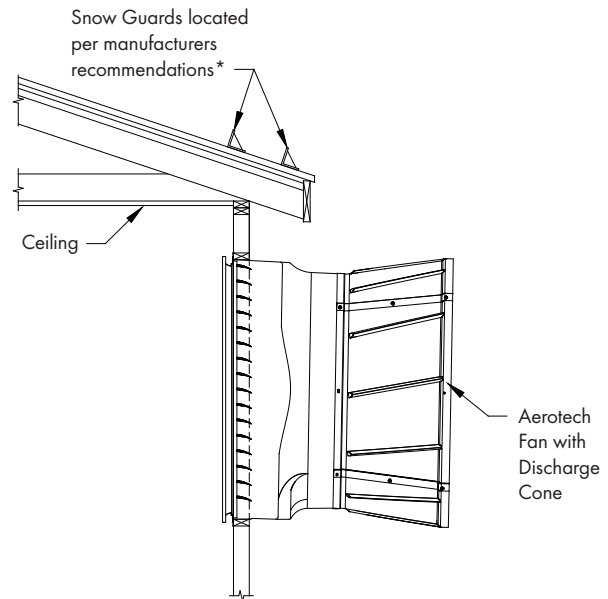


Figure 7

*Snow Guard Suppliers

Company Name	Phone No.	Fax No.	Web Site
Snojax, Inc.	800-766-5291	717-697-2452	www.snojax.com
Polar Blox	800-298-4328	814 629-9090	www.polarblox.com
LM Curbs	800-284-1412	903 759-3598	www.lmcurbs.com
Alpine Snow Guards	888-766-4273	888-766-9994	www.alpinesnowguards.com



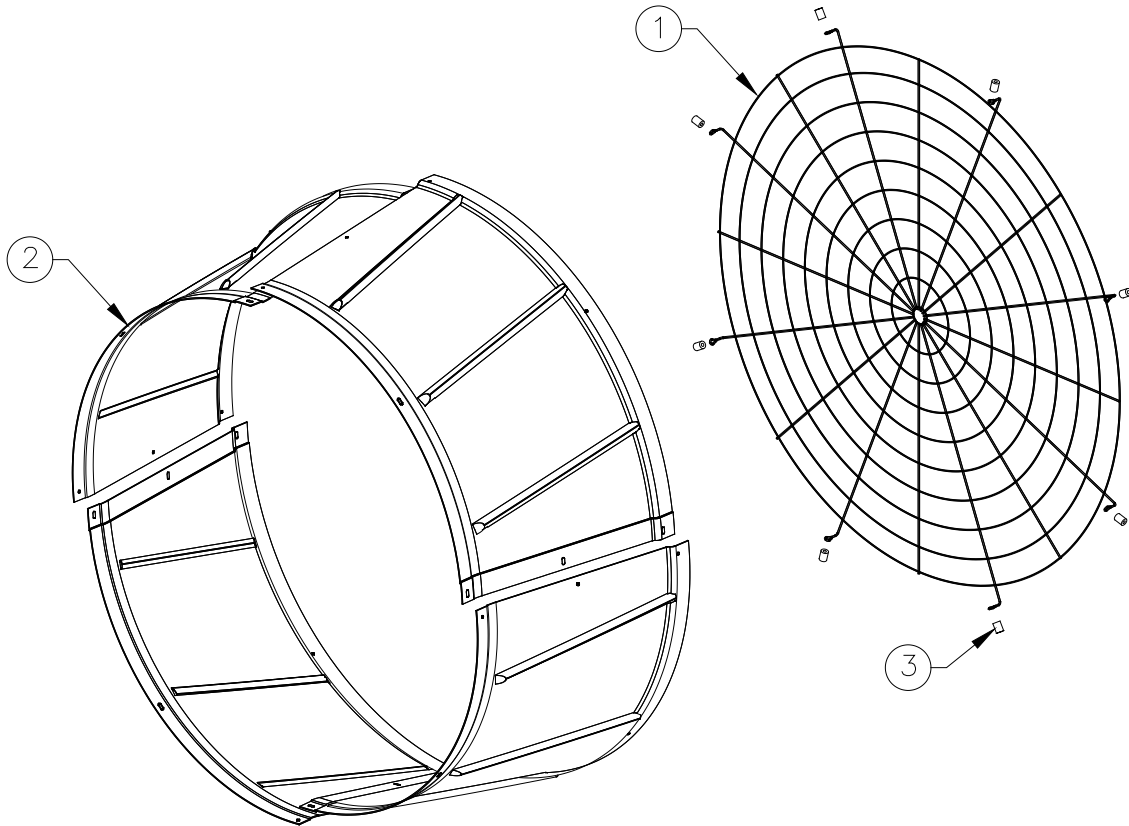
IMPORTANT

Munters Product and System Warranties do not cover cone or fan damage from external sources.

Note: Snow guards are designed to prevent sudden, dangerous snow and ice slides when attached to the building roof according to manufacturers recommendations. The supplier listing above is given as a reference only. Munters does not endorse any specific snow guard product and no performance warranty is implied.

Exploded View and Parts List

4.



Item	Catalog Number			Part Name/Description	Qty
	51FC	51FCE	55FC		
1	FH2651	FH3655	FH3655	Guard kit, 51"/55" Cone, with Hardware, PVC CTD	1
2	FH3351	FH4551	FH3355	Discharge Cone, (1) Section, FG	4
3	—	KX1257	—	Spacer, 0.32"ID x 0.75"OD x 0.75"L, BLACK NY	8

"FC" Discharge Cone is developed and produced by Munters Corporation, Lansing, Michigan U.S.A. 1-800-227-2376



Munters Europe AB, Isafjordsgatan 1, P.O. Box 1150, SE-164 26 Kista, Sweden. Phone +46 08 626 63 00, Fax +46 8 754 56 66.

Munters Corporation 2691 Ena Drive Lansing, MI 48917 U.S.A. Phone +1 800-227-2376, Fax +1 517-676-7078

www.munters.us

[Australia](#) Munters Pty Limited, Phone +61 2 6025 6422, [Brazil](#) Munters Brasil Industria e Comercio Ltda, Phone +55 41 3317 5050, [Canada/US](#) Munters Corporation Lansing, MI Phone +1 517 676 7070, [China](#) Munters Air Treatment Equipment (Beijing) Co. Ltd, Phone +86 10 80 481 121, [Denmark](#) Munters A/S, Phone +45 9862 3311, [India](#) Munters India, Phone +91 20 3052 2520, [Indonesia](#) Munters, Phone +62 818 739 235, [Italy](#) Munters Italy S.p.A., Chiusavecchia, Phone +39 0183 52 11, [Japan](#) Munters K.K., Phone +81 3 5970 0021, [Korea](#) Munters Korea Co. Ltd., Phone +82 2 761 8701, [Mexico](#) Munters Mexico, Phone +52 818 262 54 00, [Russia](#) Munters AB, Phone +7 812 448 5740, [Singapore](#) Munters Pte Ltd., Phone +65 744 6828, [South Africa and Sub-Sahara Countries](#) Munters (Pty) Ltd., Phone +27 11 997 2000, [Spain](#) Munters Spain S.A., Phone +34 91 640 09 02, [Sweden](#) Munters AB, Phone +46 8 626 63 00, [Thailand](#) Munters Co. Ltd., Phone +66 2 642 2670, [Turkey](#) Munters Form Endüstri Sistemleri A.Ş, Phone +90 322 231 1338, [USA](#) Munters Corporation Lansing, MI Phone +1 517 676 7070, [Vietnam](#) Munters Vietnam, Phone +84 8 3825 6838, [Export & Other countries](#) Munters Italy S.p.A., Chiusavecchia Phone +39 0183 52 11