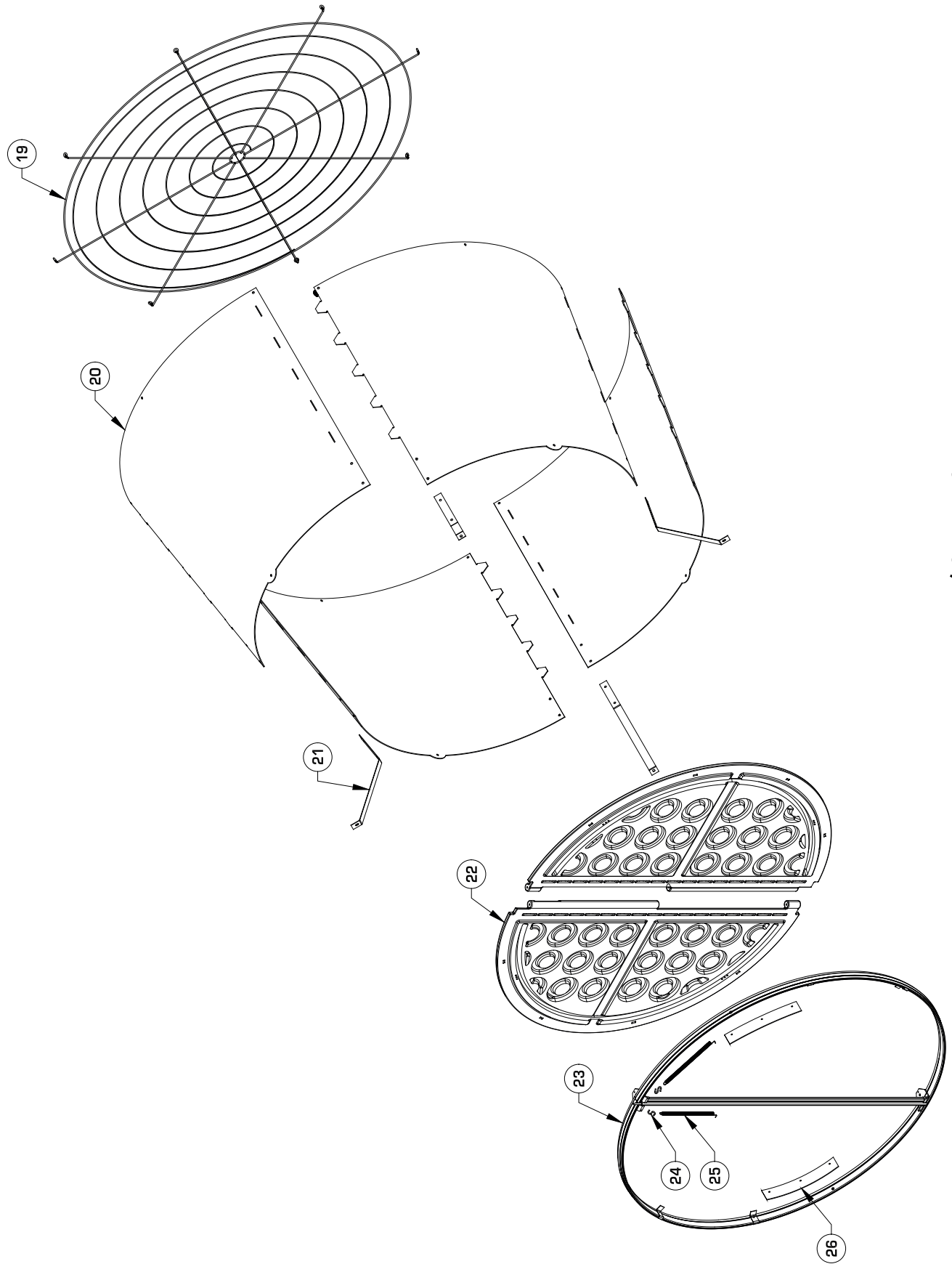


Fan Components



Damper/Cone Components

Catalog No.			
Item	WM54K	Part Name/Description	Qty.
1	FH1654	Orifice Panel, FG	1
2	FP2454	Prop Assembly, 3-Blade, GZ	1
3	various*	V-belt, A-section, Aramid Fiber	1
4	FP2060	Hub with Bearing and Shaft	1
5	FH2137	Propeller Sheave, AL	1
6	KX1130	Shaft Shield, AL	1
7	KN1860	Hex Nut, M25x10mm, ZP	1
8	various*	Motor Sheave 5/8" bore with keyseat, CI	1
9	various*	Motor, 56 Frame	1
10	FH2855	Motor Bracket Support Stiffener, GZ	1
11	FH2831	Mounting Plate for NEMA 56 Motor, CTD-GZ	1
12	FH2505	Mounting Bracket for Belt Tensioner, CTD-GZ	1
13	FH2402K	Belt Tensioner Assembly with 3" Idler Pulley	1
	FH2406	3" Idler Pulley only, with Bolt	1
	FH2459	Tensioner Arm only, AL	1
14	FH1968	1-Hole Pivoting Shutter Clip, BLK PL	8
15	FH1341	Inlet Guard, 2" x 2" Mesh, GZ	1
16	FH1675	Tube Strut, Center, PWDCTD	1
17	FH1659	Drip Shield Plate, AL	1
18	FH1980	Cone/Strut Mounting Bracket, GZ	4
19	FH1454	Outlet Guard, Round, CTD BLK	1
20	FH4655	Discharge Cone Section, PL	4
21	FH2431	Cone Support Bracket, PC type, GZ	4
22	FA2054	Door Assembly w/ Latch (2 Doors), PL	1
23	FA2854	Main Frame Assembly, AL	1
24	KX1059	1" S-Hook, 1/16" Wire, SS	2
25	KX1466	Tension Spring, 0.5" OD x 10.8"L, SS	2
26	FH1365	Wing Add-on Kit, 2 Wings w/ Hardware	1

* Parts listed are for specific fan configuration. Contact office for replacement part numbers for your fan configuration.