



Munters Hoods & Transitions

Munters hoods and transitions allow you to customize your fans for special applications and improved performance. The fiberglass pit transition is designed to remove dangerous pit gases. It can be custom fit in a concrete pit pump out. Our fiberglass riser duct can be mounted directly onto the building for removal of pit gases. The fiberglass weatherhood is ideal for exhaust fans or shutters when wind conditions reduce their effectiveness.

Fiberglass Pit Transition

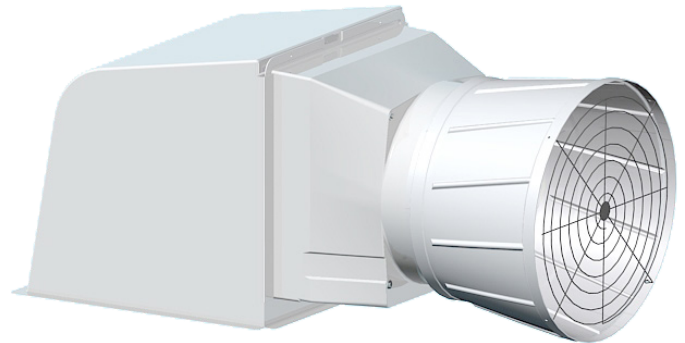
- One-piece fiberglass construction
- Totally corrosion resistant for protection from harsh environment
- Aluminum rails for easy shutter installation

Fiberglass Riser Duct

- Mount directly to building for removal of pit gases
- The rugged fiberglass with noncorrosive fasteners assures long life
- Easy mounting for 14" - 24" exhaust fans

Fiberglass Weatherhoods

- Fiberglass construction with stainless steel lag bolts
- Easy installation with minimal maintenance
- Available in 4 sizes to protect openings up to 60" square



FPT & AT24

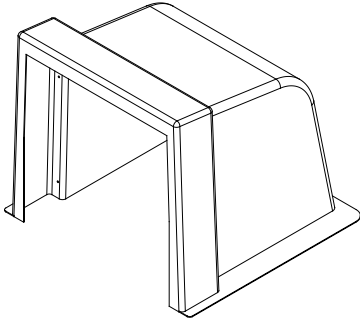


Weather Hoods

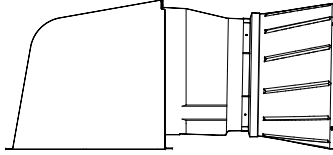
Munters Hoods & Transitions

Fiberglass Pit Transition and Adapter

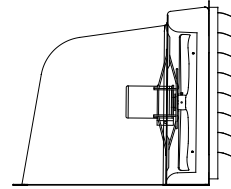
FPT, Pit Transition



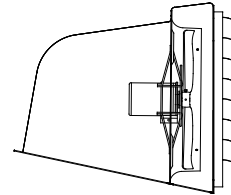
AT24 Fan



Flat Mount

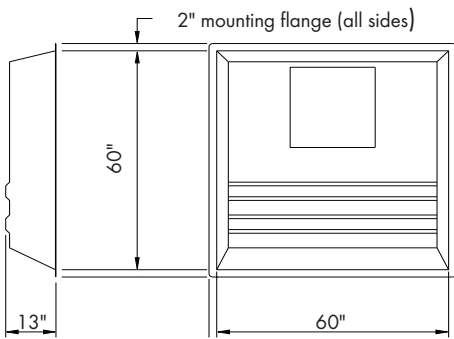


12 degree angle

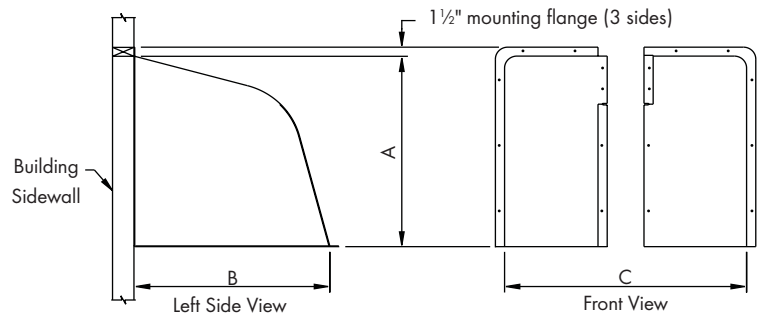


(Available in 16", 18" and 24")

Fiberglass Riser Duct

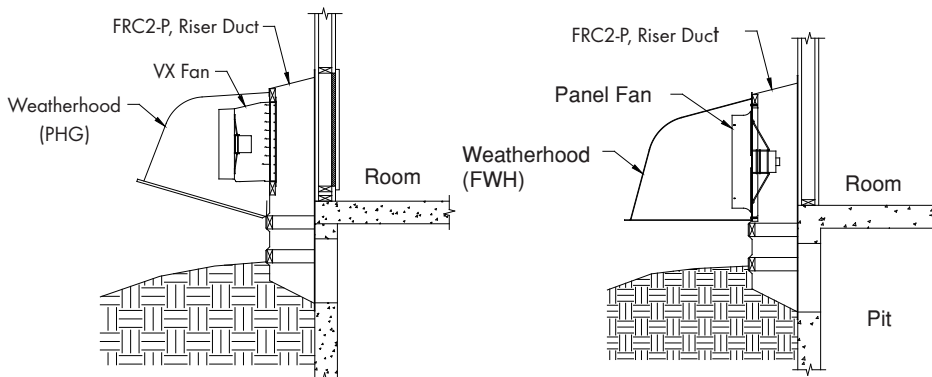


Fiberglass Weatherhood



Catalog No.	A	B	C	Framing Size (required on 3 sides)
FWH18	26"	26"	24 1/2"	25" W x 26" H
FWH24	32"	32"	30 1/2"	31" W x 32" H
FWH36	48"	48"	46 1/2"	47" W x 48" H
FWH48	60"	60"	60 1/2"	61" W x 60" H

Example Installations



Find your nearest Munters office at www.munters.com

Munters reserves the right to make alterations to specifications, quantities, etc., for production or other reasons, subsequent to publication. © Munters AB, 2021