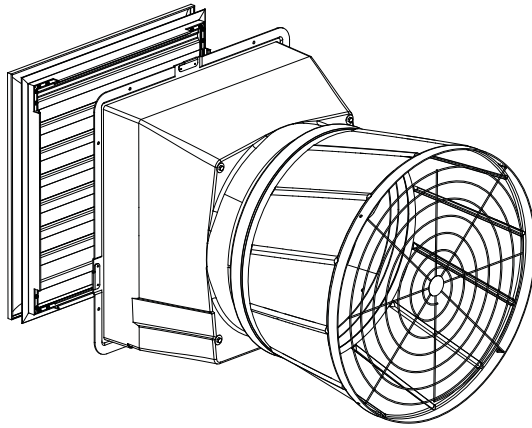


# VX Fans

9" to 26"



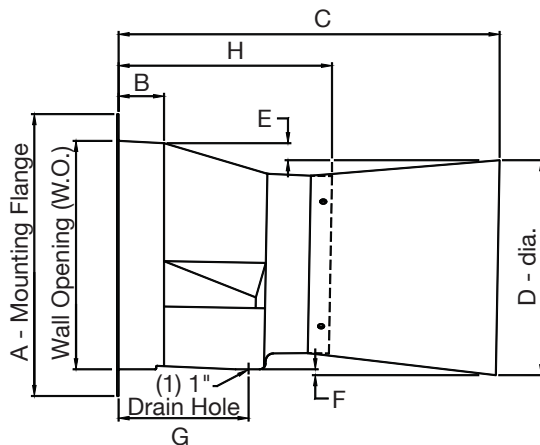
## Technical Specifications

- Fiberglass housing is extremely rugged and corrosion resistant, maintains shape and color
- Roto-molded poly discharge cone is highly impact resistant and is Rifled™ for added performance
- Cast aluminum airfoil propeller has a stall-limiting design which prevents motor overload and increases airflow and efficiency
- Available belled-inlet plastic shutter for increased performance
- Direct drive with high efficiency variable speed motor
- Three phase models may be used on variable frequency drives at all voltages
- Stainless steel hardware ensures maximum corrosion protection
- Housing bottom slopes out toward exterior drain holes to keep building drier
- Motor support and outlet guard have two layers of corrosion protection, polyester powder coat over zinc electroplating, for extra durability in tough environments

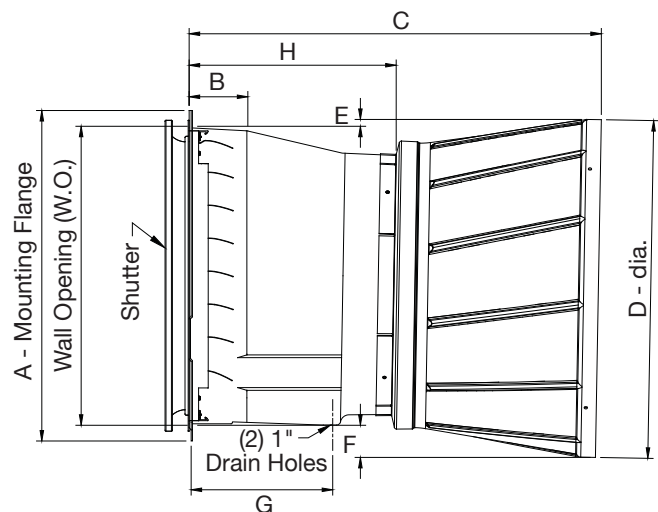
### Dimensional Data:

Size	A	B	C	D	E	F	G	H	Wall Openings (w.o.)
9"	15"W. x 15"H.	2 <sup>7</sup> / <sub>16</sub> "	20 <sup>1</sup> / <sub>4</sub> "	11 <sup>5</sup> / <sub>8</sub> "	7 <sup>7</sup> / <sub>8</sub> "	5 <sup>5</sup> / <sub>16</sub> "	6 <sup>7</sup> / <sub>8</sub> "	11 <sup>3</sup> / <sub>8</sub> "	12 <sup>1</sup> / <sub>2</sub> "W. x 12 <sup>1</sup> / <sub>2</sub> "H.
14"	20 <sup>5</sup> / <sub>8</sub> "W. x 20 <sup>5</sup> / <sub>8</sub> "H.	7"	32 <sup>3</sup> / <sub>4</sub> "	22 <sup>3</sup> / <sub>4</sub> "	1 <sup>3</sup> / <sub>4</sub> "	3 <sup>7</sup> / <sub>16</sub> "	12"	16 <sup>5</sup> / <sub>8</sub> "	17 <sup>1</sup> / <sub>2</sub> "W. x 17 <sup>1</sup> / <sub>2</sub> "H.
16"	25 <sup>1</sup> / <sub>2</sub> "W. x 25 <sup>1</sup> / <sub>2</sub> "H.	5 <sup>1</sup> / <sub>2</sub> "	33 <sup>1</sup> / <sub>4</sub> "	22 <sup>3</sup> / <sub>4</sub> "	- - -	1 <sup>1</sup> / <sub>4</sub> "	13 <sup>1</sup> / <sub>2</sub> "	18 <sup>3</sup> / <sub>4</sub> "	22 <sup>1</sup> / <sub>2</sub> "W. x 22 <sup>1</sup> / <sub>2</sub> "H.
18"	25 <sup>1</sup> / <sub>2</sub> "W. x 25 <sup>1</sup> / <sub>2</sub> "H.	5 <sup>1</sup> / <sub>2</sub> "	35 <sup>1</sup> / <sub>4</sub> "	24 <sup>3</sup> / <sub>4</sub> "	- - -	2 <sup>5</sup> / <sub>16</sub> "	13 <sup>1</sup> / <sub>2</sub> "	19 <sup>3</sup> / <sub>4</sub> "	22 <sup>1</sup> / <sub>2</sub> "W. x 22 <sup>1</sup> / <sub>2</sub> "H.
24"	31 <sup>1</sup> / <sub>2</sub> "W. x 31 <sup>1</sup> / <sub>2</sub> "H.	5 <sup>1</sup> / <sub>2</sub> "	39 <sup>1</sup> / <sub>4</sub> "	32 <sup>1</sup> / <sub>4</sub> "	5 <sup>5</sup> / <sub>8</sub> "	3 <sup>1</sup> / <sub>16</sub> "	13 <sup>1</sup> / <sub>2</sub> "	19 <sup>3</sup> / <sub>4</sub> "	28 <sup>1</sup> / <sub>2</sub> "W. x 28 <sup>1</sup> / <sub>2</sub> "H.
26"	33"W. x 33"H.	9 <sup>1</sup> / <sub>2</sub> "	35 <sup>3</sup> / <sub>4</sub> "	32 <sup>1</sup> / <sub>4</sub> "	5 <sup>5</sup> / <sub>16</sub> "	1 <sup>11</sup> / <sub>16</sub> "	10 <sup>1</sup> / <sub>8</sub> "	18 <sup>1</sup> / <sub>8</sub> "	30 <sup>1</sup> / <sub>4</sub> "W. x 30 <sup>1</sup> / <sub>4</sub> "H.

**9" Fan**  
(Plastic Fan & Cone)



**14", 16", 18", 24" and 26" Fan**  
(Fiberglass Fan and Poly Cone)



**Technical Data:** 60Hz (contact office for 50Hz fans)

Size	Drive	Speed	HP	Phase	Voltage	SF	SF Amps	Prop. RPM	Sound (dBA)
9"	Direct	SS or VR	1/6	1	115	1.0	1.8	3,250	74
9"	Direct	SS or VR	1/6	1	230	1.0	0.9	3,250	74
14"	Direct	SS or VR	1/8	1	230/115	1.0	0.66/1.25	1,625	70
16"	Direct	SS or VR	1/4	1	230/115	1.0	1.3/2.6	1,625	72
18"	Direct	SS or VR	1/3	1	230/115	1.0	2.0/4.0	1,625	72
24"	Direct	SS or VR	1/3	1	230/115	1.0	2.0/4.0	1,075	72
24"	Direct	SS	1/3	3	460/208-230	1.15	0.93/1.6-1.85	1,140	73
26"	Direct	SS or VR	1/3	1	230/115	1.0	2.0/4.0	1,075	72
26"	Direct	SS or FQ	1/3	3	460/208-230	1.15	0.93/1.6-1.85	1,140	73

Abbreviations:

SS = Single Speed  
 SF = Service Factor  
 AFR = Airflow ratio  
 VR = Variable Speed  
 SF Amps = Service Factor Amps  
 Std. - Standard

**Performance Information:** Direct Drive Fan complete with belled inlet plastic shutter, discharge cone and outlet guard

Catalog No.	Prop. Dia.	Max. BHP	Shutter Type	0.0" sp		0.05" sp		0.10" sp		0.15" sp		0.20" sp		AFR
				CFM	CFM/Watt	CFM	CFM/Watt	CFM	CFM/Watt	CFM	CFM/Watt	CFM	CFM/Watt	
Single Phase Motors														
VX14F1CT	14"	0.13	Belled	2,060	14.1	1,950	12.9	1,830	11.9	1,710	10.8	1,490	9.2	0.76
VX16F1CT	16"	0.23	Belled	3,370	14.5	3,180	13.5	2,990	12.5	2,790	11.5	2,500	10.4	0.79
VX18F1CT	18"	0.39	Belled	4,580	11.8	4,430	11.3	4,240	10.5	4,040	9.8	3,830	9.1	0.86
VX24F1CT	24"	0.37	Belled	6,650	16.5	6,210	15.0	5,850	13.7	5,380	12.5	4,930	11.2	0.79
VX26F1CT	26"	0.39	Belled	7,990	20.3	7,470	18.3	6,870	16.3	6,220	14.4	5,460	12.6	0.73
Three Phase Motors														
VX24F3CT	24"	0.46	Belled	6,880	15.8	6,560	14.7	6,150	13.5	5,780	12.3	5,470	11.6	0.83
VX26F3CT	26"	0.49	Belled	8,950	18.8	8,480	17.2	7,940	15.6	7,550	14.5	6,960	13.0	0.82

**Performance Information:** Direct Drive Fan complete with standard plastic shutter, discharge cone and outlet guard

Catalog No.	Prop. Dia.	Max. BHP	Shutter Type	0.0" sp		0.05" sp		0.10" sp		0.15" sp		0.20" sp		AFR
				CFM	CFM/Watt	CFM	CFM/Watt	CFM	CFM/Watt	CFM	CFM/Watt	CFM	CFM/Watt	
Single Phase Motors														
VX09P1CP	9"	0.16	Std.	1,120	6.0	1,090	5.8	1,070	5.6	1,030	5.3	990	5.1	0.91
VX14F1CP	14"	0.13	Std.	2,020	13.8	1,910	12.6	1,790	11.6	1,660	10.5	1,440	8.9	0.75
VX16F1CP	16"	0.23	Std.	3,300	14.2	3,100	13.2	2,900	12.1	2,700	11.1	2,400	10.0	0.77
VX18F1CP	18"	0.39	Std.	4,450	11.5	4,300	11.0	4,120	10.2	3,940	9.6	3,740	8.9	0.87
VX24F1CP	24"	0.37	Std.	6,490	16.1	6,090	14.7	5,740	13.4	5,250	12.2	4,760	10.8	0.78
VX26F1CP	26"	0.39	Std.	7,800	19.9	7,290	17.8	6,740	16.0	6,070	14.1	5,280	12.2	0.72
Three Phase Motors														
VX24F3CP	24"	0.46	Std.	6,710	15.4	6,400	14.3	6,030	13.2	5,670	12.1	5,340	11.3	0.83
VX26F3CP	26"	0.49	Std.	8,690	18.2	8,230	16.7	7,750	15.2	7,370	14.2	6,820	12.8	0.83

**Minimum Volume**

Catalog No.	0.0" SP		0.025" SP		0.05" SP	
	CFM	RPM	CFM	RPM	CFM	RPM
VX09P1	200	700	150	750	70	800
VX14F1	150	640	400	760	400	860
VX16F1	725	665	360	660	290	635
VX18F1	1670	790	520	570	450	560
VX24F1	2260	500	1500	480	1250	520
VX26F1	2580	490	1750	480	1500	530

NOTE:

1. Performance is shown for units without ducts.
2. RPM shown is nominal and performance is based on actual test speed.
3. Motors are high efficiency, variable-speed (PSC) type with ball bearings, 100% copper windings, and TEAO construction. Automatic thermal overload protection is included in all single phase motors. A motor starter with overload protection is required for three phase motors.