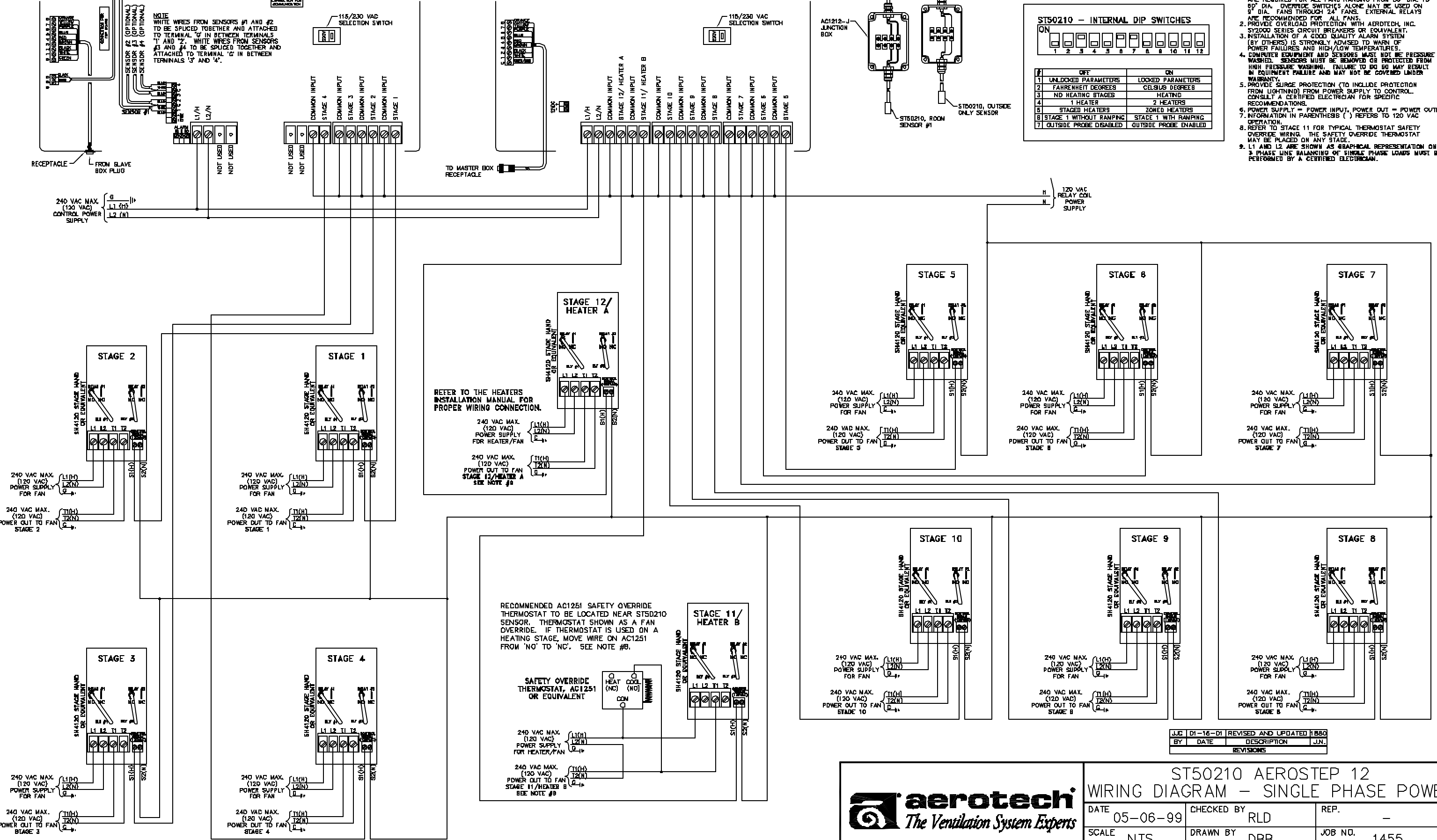


MASTER

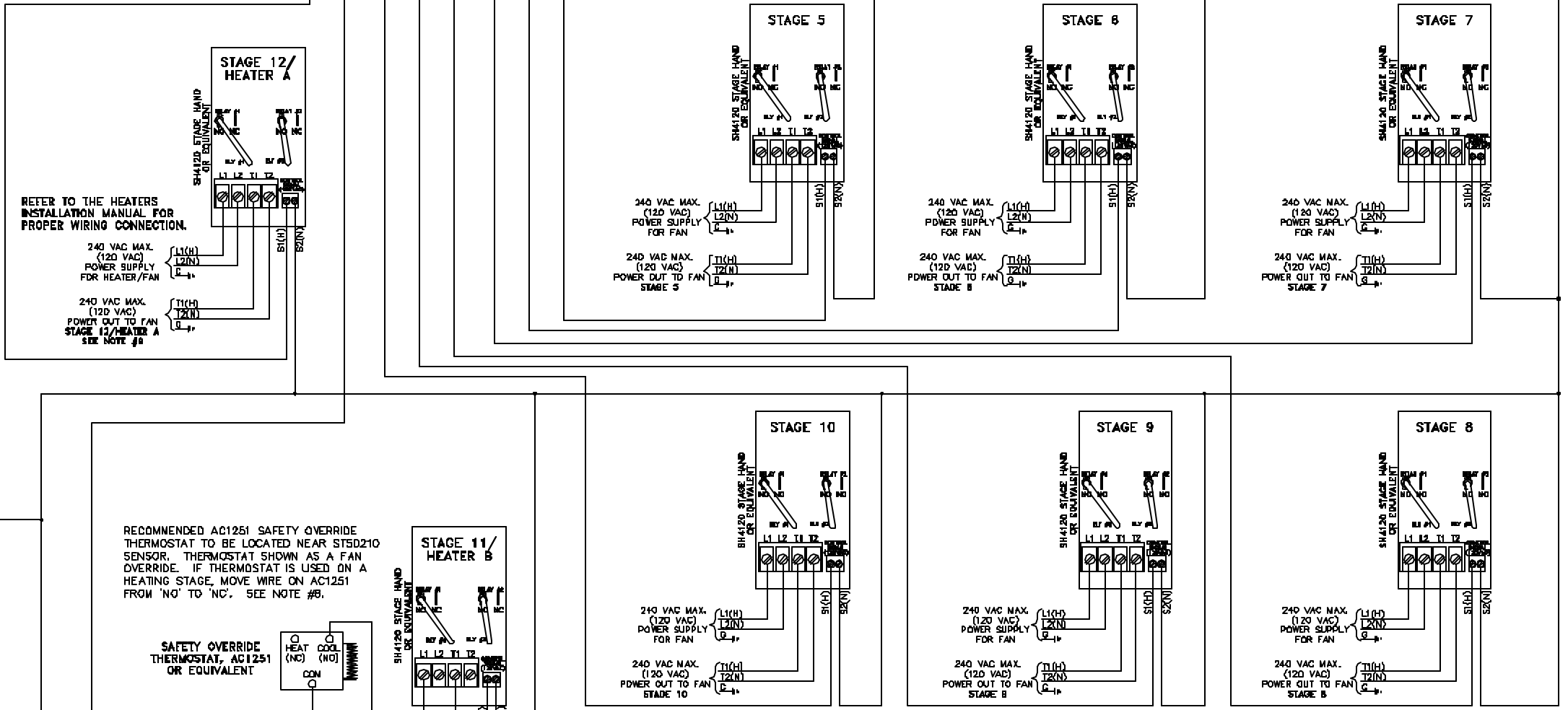
SLAVE



ST50210 - INTERNAL DIP SWITCHES

OFF	ON
1 UNLOCKED PARAMETERS	LOCKED PARAMETERS
2 FAHRENHEIT DEGREES	CELSIUS DEGREES
3 NO HEATING STAGES	HEATING
4 1 HEATER	2 HEATERS
5 STAGED HEATERS	ZONED HEATERS
6 STAGE 1 WITHOUT RAMPING	STAGE 1 WITH RAMPING
7 OUTSIDE PROBE DISABLED	OUTSIDE PROBE ENABLED

- NOTES**
1. AN EXTERNAL RELAY WITH A MANUAL OVERRIDE SWITCH, SUCH AS THE STAGE HAND REFERRED TO IN THIS DIAGRAM, ARE REQUIRED FOR ALL FANS RANGING FROM 36" DIA. TO 60" DIA. FANS THROUGH 24" FANS. EXTERNAL RELAYS ARE RECOMMENDED FOR ALL FANS.
 2. PROVIDE OVERLOAD PROTECTION WITH AEROTECH, INC. SY2000 SERIES CIRCUIT BREAKERS OR EQUIVALENT.
 3. INSTALLATION OF A GOOD QUALITY ALARM SYSTEM (BY OTHERS) IS STRONGLY ADVISED TO WARN OF POWER FAILURES AND HIGH/LOW TEMPERATURES.
 4. COMPUTER EQUIPMENT AND SENSORS MUST NOT BE PRESSURE WASHED. SENSORS MUST BE REMOVED OR PROTECTED FROM HIGH PRESSURE WASHING. FAILURE TO DO SO MAY RESULT IN EQUIPMENT FAILURE AND MAY NOT BE COVERED UNDER WARRANTY.
 5. PROVIDE SURGE PROTECTION (TO INCLUDE PROTECTION FROM LIGHTNING) FROM POWER SUPPLY TO CONTROL. CONSULT A CERTIFIED ELECTRICIAN FOR SPECIFIC RECOMMENDATIONS.
 6. POWER SUPPLY = POWER INPUT, POWER OUT = POWER OUTPUT.
 7. INFORMATION IN PARENTHESES () REFERS TO 120 VAC OPERATION.
 8. REFER TO STAGE 11 FOR TYPICAL THERMOSTAT SAFETY OVERRIDE WIRING. THE SAFETY OVERRIDE THERMOSTAT MAY BE PLACED ON ANY STAGE.
 9. L1 AND L2 ARE SHOWN AS GRAPHICAL REPRESENTATION ONLY. 3 PHASE LINE BALANCING OF SINGLE PHASE LOADS MUST BE PERFORMED BY A CERTIFIED ELECTRICIAN.



BY	DATE	DESCRIPTION	J.N.
JJC	01-16-01	REVISED AND UPDATED	11880

aerotech
The Ventilation System Experts

ST50210 AEROSTEP 12
WIRING DIAGRAM - SINGLE PHASE POWER

DATE	05-06-99	CHECKED BY	RLD
SCALE	NTS	DRAWN BY	DBB
This plan is the exclusive property of Aerotech, Inc. and is authorized for use by Aerotech representatives and customers only. ©Copyright 2001, Aerotech, Inc.		REP.	-
		JOB NO.	1455
		DRAWING NO.	WC-99-009A

Aerotech, Inc. 4215 Legion Drive, Mason, MI 48854-1034 USA
Toll-free: 800-237-2376 • Local: 317-676-7070 • Fax: 317-676-7078