

护手册

Ammonia
Sensor



Ammonia Sensor

Ag/MIS/Im/Cn-2793-02/21 Rev 1.2
P/N: 116835

 Munters

Ammonia Sensor

使用和维护手册

Document Revision: 1.2, 10/2021

发布日期: N/A

该使用和维护手册与附带的技术文档是设备的重要组成部分。

该文档专为设备的使用者使用：在没有系统装配者的预先授权下，整个文档或文档的任何一部分都不能进行复制、作为文件存入电脑内存或传送至第三方。

蒙特保留在依照技术和法律的发展下对设备进行有效更改的权利

索引

章节	页码
1 简介	4
1.1 免责声明	4
1.2 介绍	4
1.3 备注	4
2 传感器安装	5
2.1 元件	5
2.2 安装	5
2.3 LED	6
2.4 接线	6
2.5 保养与维护	7
3 规格说明	8
4 质保	9

1 简介

1.1 免责声明

在指南发行后，蒙特为生产以及其它原因，保留对设备规格、数量和规模大小等内容进行更改的权力。本使用维护指南由蒙特公司的专家进行编写。尽管我们相信手册的内容准确完整，但蒙特公司不对任何特定的目的进行承诺。蒙特公司希望手册中的内容能够帮助用户正常使用、维护设备，忽视指南提供的指导和警告所带来的风险由用户自行承担。

1.2 介绍

恭喜，您购买了蒙特 Ammonia Sensor，这是一个极好的选择!

为了实现产品的所有功能，设备需以正确方式进行安装、调试以及运行。在安装或使用风 Ammonia Sensor 之前，用户需仔细阅读该手册。手册应妥善保管，以备不时之需。该手册提供关于蒙特控制器的安装、调试和日常运行的相关信息。

1.3 备注

发布日期: 2019 年 7 月

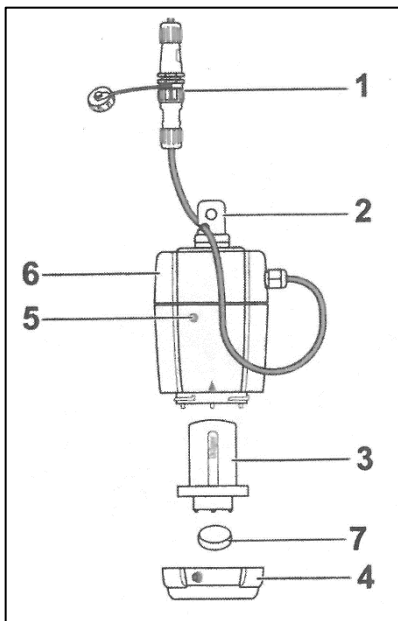
蒙特公司无法保证通知用户新的内容变动、或将新的手册分发给用户。

版权所有。没有蒙特公司的书写许可文件，不得转载手册中的任何信息。该手册的内容会在没有通知的情况下进行变动。

2 传感器安装

本说明书演示了如何将氨气传感器安装至 Platinum, Platinum Pro, TRIO, or AC-2000 3G 控制器上。请参阅特定控制器说明书，查阅相关传感器使用资料。

2.1 元件



- 1: 连接器与对插装置
- 2: 防震垫圈
- 3: 传感元件
- 4: 装配环
- 5: LED 绿/黄灯
- 6: 外壳
- 7: 防尘盖

NOTE 传感器自带电源。

安装

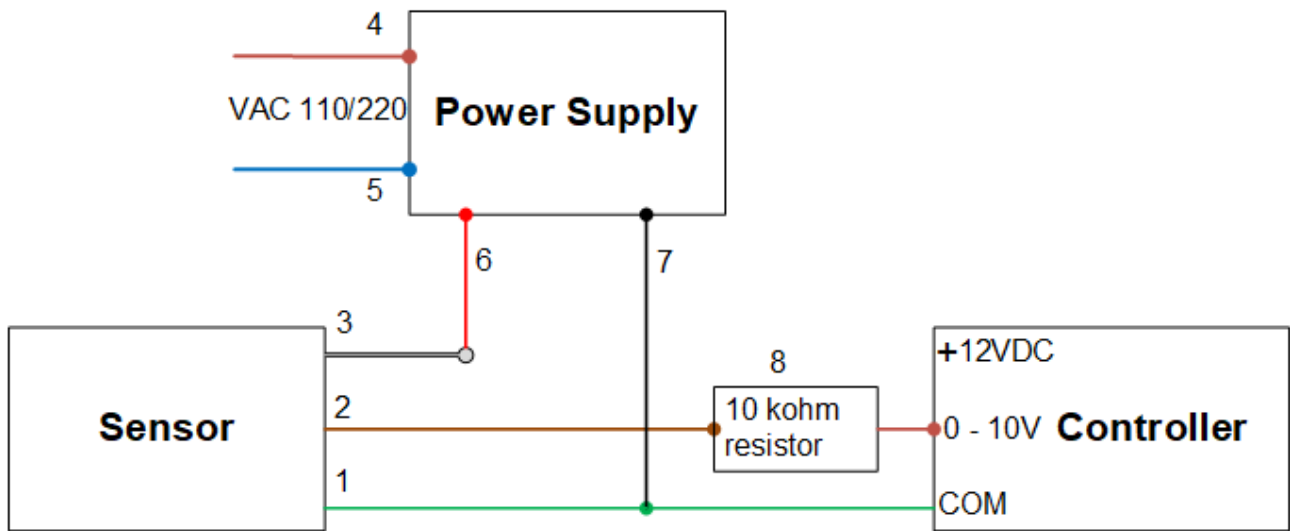
1. 将传感器放置在外壳中，并连接上装配环和防尘盖
2. 将传感器悬挂在监控区域中心
 - 不要将其放置于新风源附近 (例如门窗附近)
 - 确保任何动物和鸟类无法接触传感器
 - 禁止使用电缆悬挂传感器!
3. 将连接器安装至对插装置上
4. 在步骤 3 的基础上:
 - 如下所示，将传感器连接至 Platinum, Platinum Pro, AC-3000 3G, TRIO，传感器距离控制器最远距离可达 50 米
 - 如下所示，将传感器连接至电源

2.3 LED

氨气传感器配备专有 LED 灯，连接电源后设备需 30 分钟进行缓冲

- 绿灯: 设备正常运行
- 黄灯闪烁: 设备异常未运行

2.4 接线

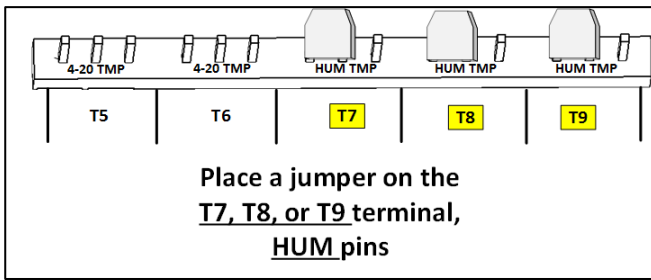


编号	功能
1	COM 端口 (绿线)
2	S 端口 (棕线)
3	白线
4	相线 (红棕线)
5	零线 (蓝线)
6	18-30VDC (红线)
7	COM (黑线)
8	10 kohm 注:电阻器随传感器一起提供，但必须现场安装。

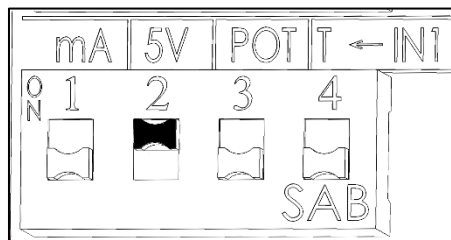
提示: 蒙特提供电阻器

1. 接线指导

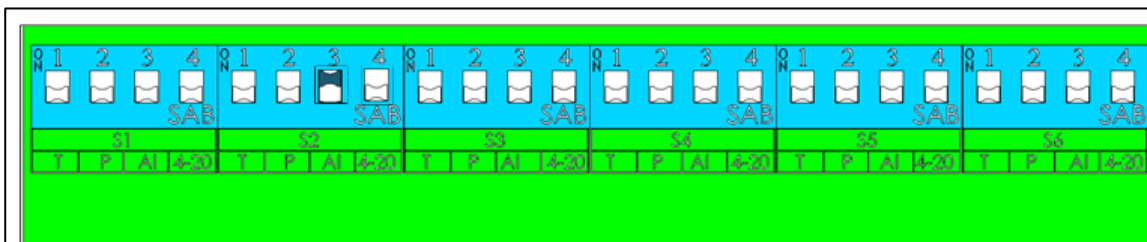
- 传感器的绿线与电源黑线端连接，并将合并线与 COM 相连
- 传感器白线端与电源(12V)红线段相连 (12VDC 电源)
- 传感器棕线端口:
 - Platinum:
 - 与 10 kohm 电阻器相连
 - 将电阻器与端口 T7, T8, 或 T9 相连
 - 在 T7, T8, 或 T9 引脚上放置跳线 (设定为 HUM 模式)



- Platinum Pro
 - 与 10 kohm 电阻器相连
 - 将电阻器与端口 IN1, IN2, IN3, 或 IN4 相连
 - 将模拟输入卡上对应的拨码开关设置为 5V (拨码开关 2).



- AC-2000 3G: 无需更多操作
- TRIO
 - S 端口.在模拟输入卡上抬高对应的拨码开关 3 (模拟输入卡上)
 - COM 端口
 - 设备包含一个 10 kohm 电阻器 (需安装)



2.5 保养与维护

氨气传感器基本不需要维护。以下是通用维护规则:

- 请勿破坏氨气传感器箱体
- 避免使其接触水或其他液体 (当清洁家禽屋舍时, 请移开箱体)
- 确保箱体前面板上的传感器格栅无异物

注意 水和清洗剂可能会损坏传感器;因此, 请最大程度减少其与水的任何接触。在清理仓库前, 请切断电源并转移传感器。如若因此造成损失则可能导致质保失效

3 规格说明

规格	参数
传感器存放有效期	详见传感器箱体或装运箱上的标签
传感器与传感头的质保	交付日期起 1 年内
传感器预期使用寿命	从调试设备起 3 年，有效期见传感器标签
电源	额定电压 24 V (15 V 至 30 V 直流电); DC < 0.2 V _{ss}
工作电流	小于 10 mA
传输至控制单元的信号	0 V 至 10 V 对应 0 至 100 ppm
检测范围	0 to 100 ppm NH ₃
信号传输分辨率	0.5 ppm
准确度	1.5 ppm 或测量含量±10 %
反应时长	T ₅₀ ≤ 30 秒
交叉灵敏度	根据需求
电缆类型	三线
温度范围	0 °C 至 + 50 °C
湿度范围	15 % 至 95 % 相对湿度
气压范围	700 hPa 至 1,300 hPa
体积参数	100 mm x 200 mm x 50 mm
传感头材料	聚酰胺
重量	约 450 g
抗腐蚀性	常见洗涤剂、消毒剂、酒精、表面活性剂、过乙酸、肥皂
防护等级	IP 65 (完全防止外物及灰尘侵入, 防持续至少 3 分钟的低压喷水)
电气安全	CE 认证

4 质保

Warranty and technical assistance

Munters products are designed and built to provide reliable and satisfactory performance but cannot be guaranteed free of faults; although they are reliable products they can develop unforeseeable defects and the user must take this into account and arrange adequate emergency or alarm systems if failure to operate could cause damage to the articles for which the Munters plant was required: if this is not done, the user is fully responsible for the damage which they could suffer.

Munters extends this limited warranty to the first purchaser and guarantees its products to be free from defects originating in manufacture or materials for one year from the date of delivery, provided that suitable transport, storage, installation and maintenance terms are complied with. The warranty does not apply if the products have been repaired without express authorisation from Munters, or repaired in such a way that, in Munters' judgement, their performance and reliability have been impaired, or incorrectly installed, or subjected to improper use. The user accepts total responsibility for incorrect use of the products.

The warranty on products from outside suppliers fitted to Ammonia Sensor (for example antennas, power supplies, cables, etc.) is limited to the conditions stated by the supplier: all claims must be made in writing within eight days of the discovery of the defect and within 12 months of the delivery of the defective product. Munters has thirty days from the date of receipt in which to take action, and has the right to examine the product at the customer's premises or at its own plant (carriage cost to be borne by the customer).

Munters at its sole discretion has the option of replacing or repairing, free of charge, products which it considers defective, and will arrange for their despatch back to the customer carriage paid. In the case of faulty parts of small commercial value which are widely available (such as bolts, etc.) for urgent despatch, where the cost of carriage would exceed the value of the parts, Munters may authorise the customer exclusively to purchase the replacement parts locally; Munters will reimburse the value of the product at its cost price.

Munters will not be liable for costs incurred in demounting the defective part, or the time required to travel to site and the associated travel costs. No agent, employee or dealer is authorised to give any further guarantees or to accept any other liability on Munters' behalf in connection with other Munters products, except in writing with the signature of one of the Company's Managers.

WARNING: In the interests of improving the quality of its products and services, Munters reserves the right at any time and without prior notice to alter the specifications in this manual.

The liability of the manufacturer Munters ceases in the event of:

- dismantling the safety devices;
- use of unauthorised materials;
- inadequate maintenance;
- use of non-original spare parts and accessories.

Barring specific contractual terms, the following are directly at the user's expense:

- preparing installation sites;
- providing an electricity supply (including the protective equipotential bonding (PE) conductor, in accordance with CEI EN 60204-1, paragraph 8.2), for correctly connecting the equipment to the mains electricity supply;
- providing ancillary services appropriate to the requirements of the plant on the basis of the information supplied with regard to installation;
- tools and consumables required for fitting and installation;
- lubricants necessary for commissioning and maintenance.

It is mandatory to purchase and use only original spare parts or those recommended by the manufacturer.

Dismantling and assembly must be performed by qualified technicians and according to the manufacturer's instructions.

The use of non-original spare parts or incorrect assembly exonerates the manufacturer from all liability.

Requests for technical assistance and spare parts can be made directly to the nearest Munters office. A full list of contact details can be found on the back page of this manual.

[Munters Israel](#)

18 HaSivim Street
Petach-Tikva 49517, Israel
Telephone: +972-3-920-6200
Fax: +972-3-924-9834



www.munters.com

[Australia](#) Munters Pty Limited, Phone +61 2 8843 1594, [Brazil](#) Munters Brasil Industria e Comercio Ltda, Phone +55 41 3317 5050, [Canada](#) Munters Corporation Lansing, Phone +1 517 676 7070, [China](#) Munters Air Treatment Equipment (Beijing) Co. Ltd, Phone +86 10 80 481 121, [Denmark](#) Munters A/S, Phone +45 9862 3311, [India](#) Munters India, Phone +91 20 3052 2520, [Indonesia](#) Munters, Phone +62 818 739 235, [Israel](#) Munters Israel Phone +972-3-920-6200, [Italy](#) Munters Italy S.p.A., Chiusavecchia, Phone +39 0183 52 11, [Japan](#) Munters K.K., Phone +81 3 5970 0021, [Korea](#) Munters Korea Co. Ltd., Phone +82 2 761 8701, [Mexico](#) Munters Mexico, Phone +52 818 262 54 00, [Singapore](#) Munters Pte Ltd., Phone +65 744 6828, [South Africa and Sub-Sahara Countries](#) Munters (Pty) Ltd., Phone +27 11 997 2000, [Spain](#) Munters Spain S.A., Phone +34 91 640 09 02, [Sweden](#) Munters AB, Phone +46 8 626 63 00, [Thailand](#) Munters Co. Ltd., Phone +66 2 642 2670, [Turkey](#) Munters Form Endüstri Sistemleri A.Ş, Phone +90 322 231 1338, [USA](#) Munters Corporation Lansing, Phone +1 517 676 7070, [Vietnam](#) Munters Vietnam, Phone +84 8 3825 6838, [Export & Other countries](#) Munters Italy S.p.A., Chiusavecchia Phone +39 0183 52 11