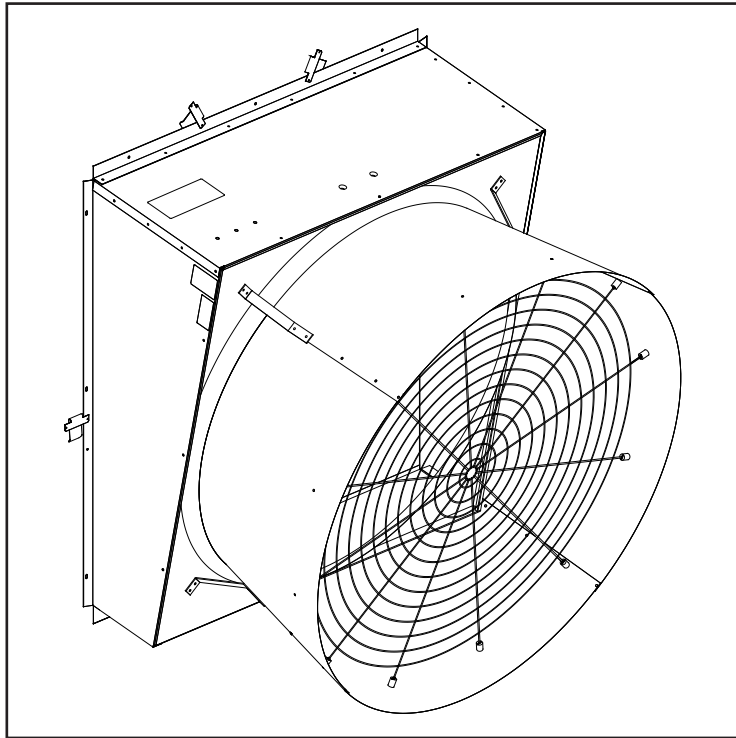


Instruction Manual



WF50-99
Galvanized
50" Tilt Fan
with Cone
Partially Assembled,
No Crate

WF50 Galvanized Tilt Fan with Cone

Partially Assembled, No Crate

Models: WF501TxCP • WF501TxCY • WF5015TxCP •
WF5015TxCY



WF50 Galvanized Tilt Fan with Cone

Instructions for Use and Maintenance

Thank You:

Thank you for purchasing a Munters WF50 Fan. Munters equipment is designed to be the highest performing, highest quality equipment you can buy. With the proper installation and maintenance it will provide many years of service.

Please Note:

To achieve maximum performance and insure long life from your Munters product it is essential that it be installed and maintained properly. Please read all instructions carefully before beginning installation.

Warranty:

For Warranty claims information see the "Warranty Claims and Return Policy" form QM1021 available from the Munters Corporation office at 1-800-227-2376 or by e-mail at aghort.info@munters.com.

Conditions and Limitations:

- Products and Systems involved in a warranty claim under the "Warranty Claims and Return Policy" shall have been properly installed, maintained and operated under competent supervision, according to the instructions provided by Munters Corporation.
- Malfunction or failure resulting from misuse, abuse, negligence, alteration, accident or lack of proper installation or maintenance shall not be considered a defect under the Warranty.

Index

Chapters	Page
1. Unpacking the Equipment	4
1.1 Parts List	4
1.2 Fan Dimensions	5
2. Installation Instructions	6
2.1 Installation	6
3. Electrical Wiring	9
3.1 Wiring	9
3.2 Recommended Wire Routing	10
4. Operation	11
5. Maintenance	12-13
6. Winterizing	14
6.1 Winterizing	14
6.2 Winter Weather Protection	14
7. Troubleshooting	15
8. Exploded View and Parts List	16-17

Unpacking the Equipment

1.

Before beginning installation, check the overall condition of the equipment. Remove packing materials, and examine all components for signs of shipping damage. Any shipping damage is the customer's responsibility and should be reported immediately to your freight carrier. Fan is shipped complete with all accessories.

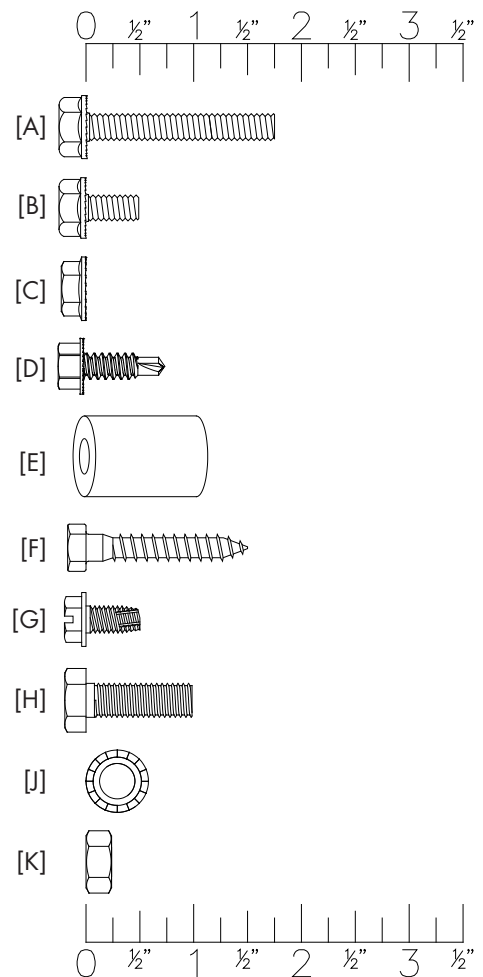
1.1 Parts List

Each Fan includes:

- 1 - 50" Belt Drive Fan
- 4 - Cone Sections
- 4 - Cone Support Brackets
- 1 - Cone Guard
- 1 - 3-Blade Propeller
- 1 - Shutter
- 1 - Hardware Package (HP1118):

HP1118 - for WF50-99 Fans

ID	Qty.	Cat. No.	Description
-- Hardware for Cone Installation --			
[A]	12	KS1152	¼"-20 x 1.75" SRTD Flange Head Bolt, ZP
[B]	16	KS1153	¼"-20 x ½" SRTD Flange Head Bolt, ZP
[C]	28	KN0730	¼"-20 SRTD Flange Nut, ZP
[D]	8	KS2260	¼"-20 x ¾" SRTDHXWSHR TEK Screw, ZP
[E]	12	KX1256	.32"IDx.75"ODx1"L. Spacer, Black, NY
-- Hardware for Fan Installation --			
[F]	12	KS2463	¼" x 1.5" Hex Lag Screw, ZP
[G]	12	KS2203	¼"-20 x ½" SRTDHXWSHR Type-F Screw, ZP
[H]	4	KS1928	M8-1.25 x 25mm Hex Bolt, ZP
[J]	4	KW4906	M8 Star Lock Washer, BLK
[K]	4	KN1849	M8-1.25 x 8mm Hex Nut, ZP
[L]	2	---	Yellow Vertical Warning Labels



1.2 Fan Dimensions

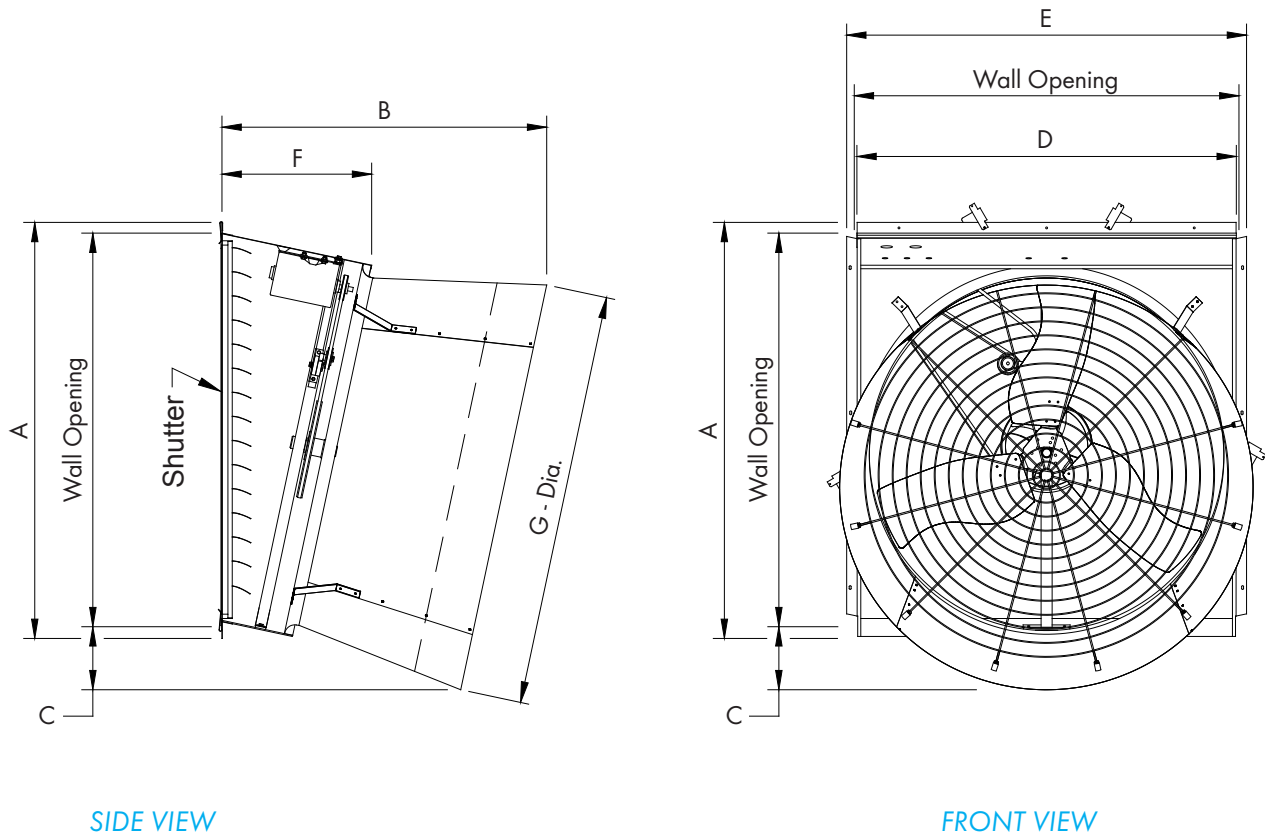
Fan Specifications: (50Hz available)

Hertz: 60 60

Voltage: 120/240VAC or 208-240/480VAC

Phase: 1 or 3

NOTE: Crate may contain Fan Accessories.



CAT. NO.	FAN DIA.	A	B	C	D	E	F	G - Dia.	WALL OPENING (I.D., framed)
WF50	50"	59 ³ / ₈ "	46 ¹ / ₂ "	9 ³ / ₄ "	54 ¹ / ₈ "	57 ¹ / ₈ "	21 ⁵ / ₁₆ "	59 ¹ / ₁₆ "	55"W. x 56 ¹ / ₄ "H.*

*Opening based on 2 x 4 framing. Opening size may change with framing. See Chart A, page 6.

Installation Instructions

2.

2.1 Installation

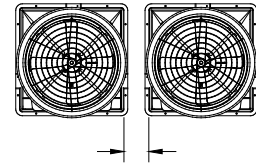
Step 1

Attach Top and Bottom Mounting Brackets to Fan Housing using (12) Screws [G]. Install Screws in direction shown. *See Figure 1.*

Step 2

Construct the framed opening to correct size according to the Chart A (below) and your fan size. *See Figure 2A and 2B.* If fan and housing is to be framed into a 2 x 4 wall or concrete wall, *See Figure 2A, 2B, 2C and Chart A* for details. For greater than 4" wall thickness, *See Figure 2D.*

Recommended Clearance*



- Fan with outlet guard: maintain 8" minimum clearance on all sides
- Fan with discharge cone: maintain 12" minimum clearance on all sides

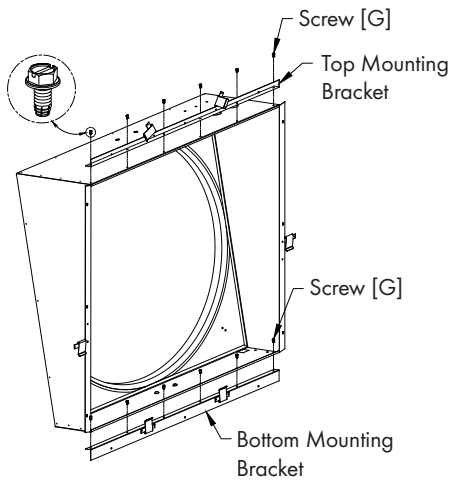


Figure 1

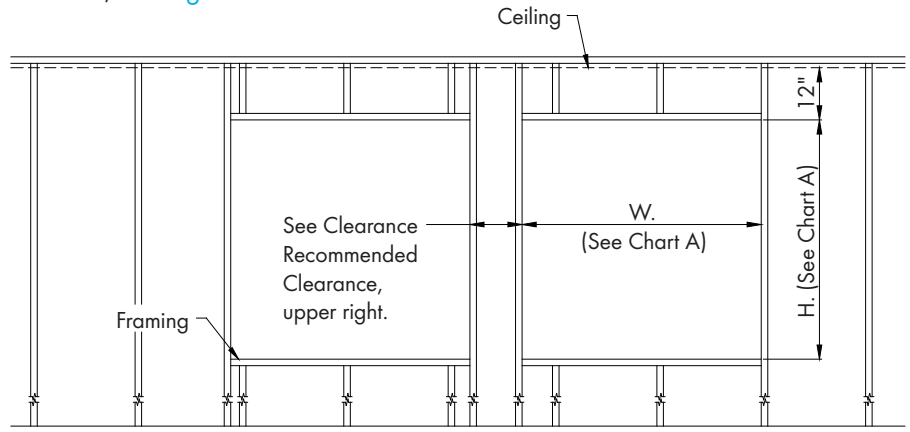


Figure 2A

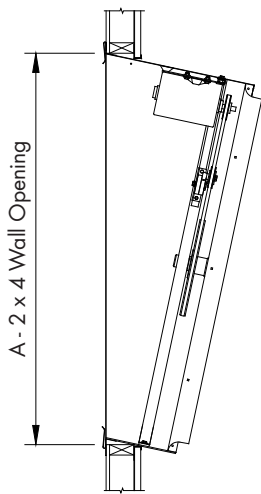


Figure 2B
2 x 4 Framing

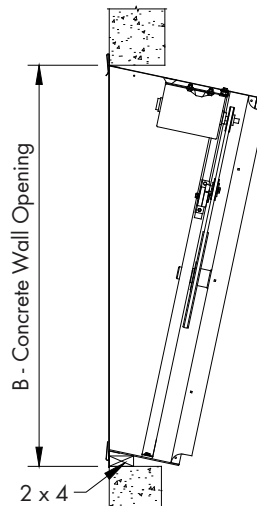
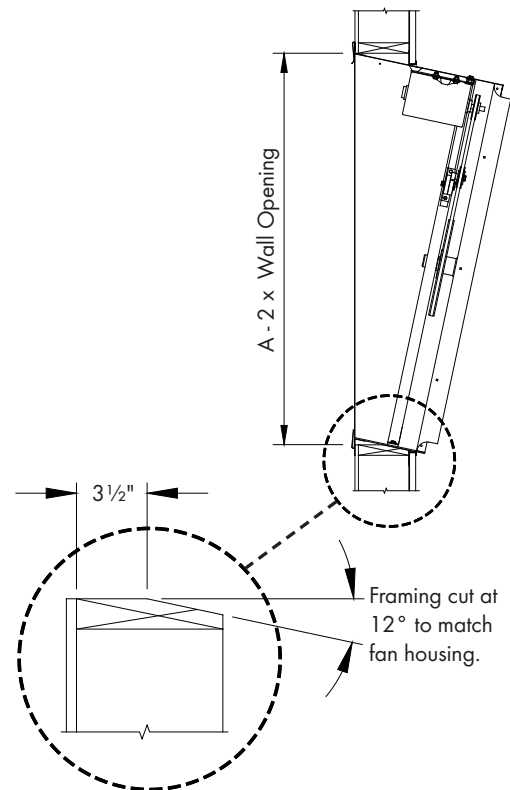


Figure 2C
Concrete Framing

Figure 2D
Greater Than 4" Wall Thickness



Catalog No.	A 2 x 4 Framing	B Concrete Framing
WF50	55"W. x 56 1/4"H.	55"W. x 57 3/4"H.

Chart A

Step 3

Slide fan and housing into framed wall opening. See Figure 3.

Step 4

Confirm that housing inside dimensions match those shown in Figure 4A. Then secure housing to wall using (12) Lag Screws [F], through holes in each mounting flange. See Figure 4B.

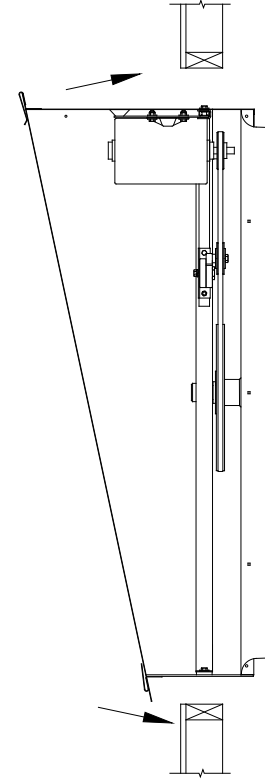


Figure 3

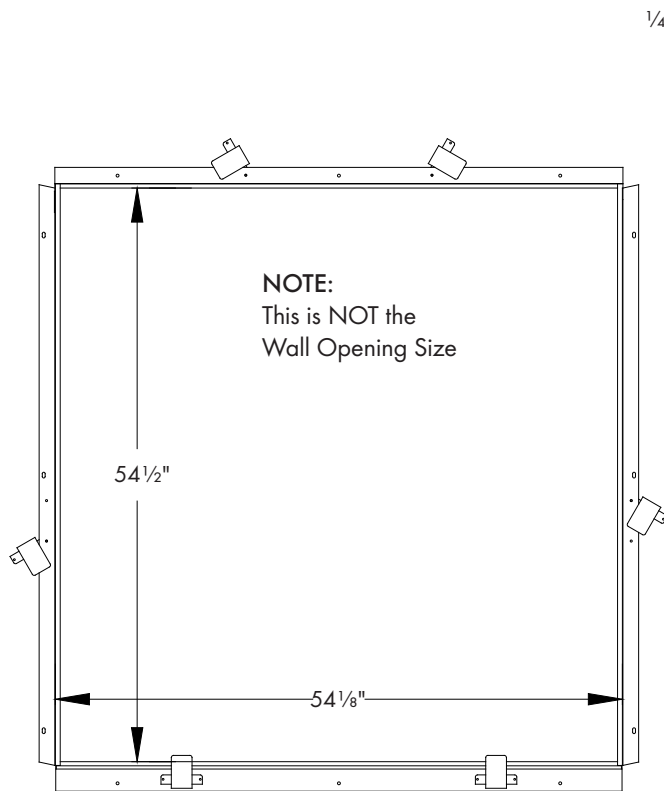


Figure 4A

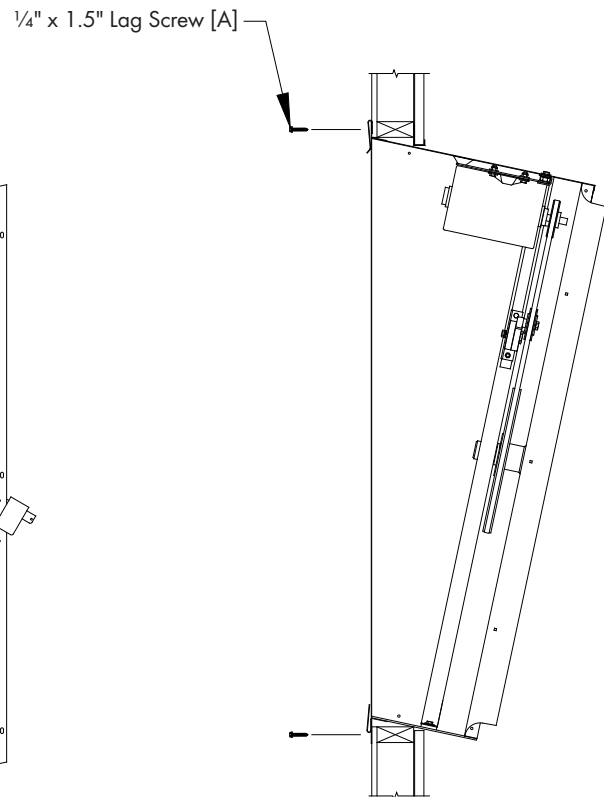


Figure 4B

Step 5

Remove Propeller from back of fan.

Step 6

Attach Propeller to hub assembly and secure using (4) M8 Bolts [H], Star Washers [J] and Nuts [K]. Tighten bolts to 180 in-lbs. [20 N-m] of torque. See [Figure 5A and 5B](#).

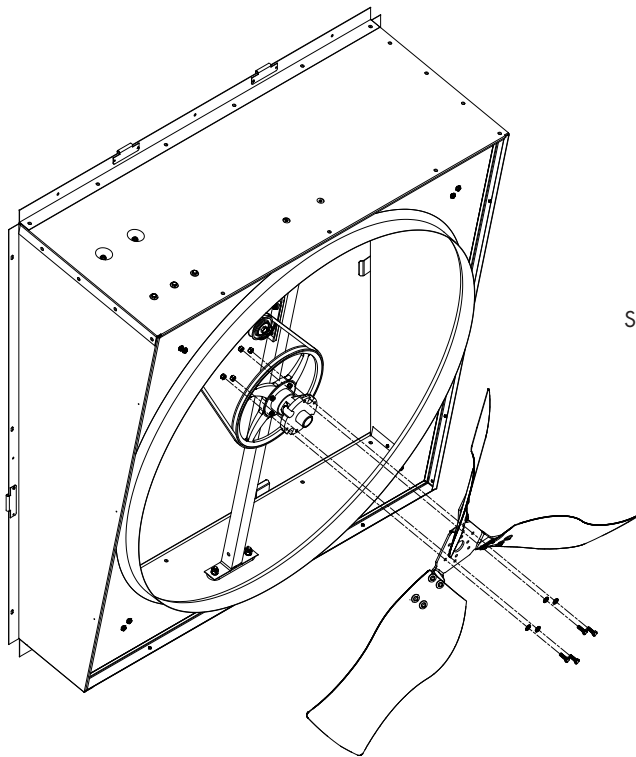


Figure 5A

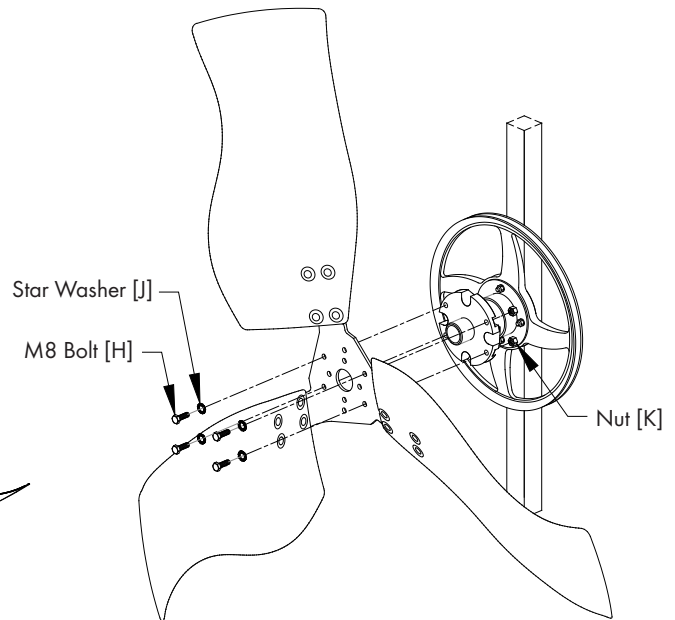


Figure 5B

Step 7

Proceed to Installation Instructions for Discharge Cone, Form [QM1033](#) for 50" Fans.

3.1 Wiring

All wiring should be installed in accordance with National, State, and Local electrical codes. Fans used to ventilate livestock buildings or other rooms where continuous air movement is essential should be connected to individual electrical circuits, with a minimum of two circuits per room. For electrical connection requirements, refer to diagram on motor nameplate and to information enclosed with the Munters environmental control to be used. After wiring check for proper motor rotation.

Single Phase Fans: motor overload protection should be provided for each fan. A Circuit Breaker Switch or slow blow motor type fuses must be used, *See Figure 6A. See form QM1400 for proper size.*

Three Phase Fans: motor overload protection should be provided for each fan. A three-pole motor starter or slow blow motor fuses must be used. *See Figure 6B.*

If a frequency drive (inverter) is used, confirm that motors are rated for inverter duty at the voltage used. Shielded power cable between frequency drive and each motor is highly recommended. Installation of line reactors is recommended to reduce voltage spikes and harmonic distortion. Supplemental motor overload protection is also recommended.

NOTE: A safety cut-off switch should be located adjacent to each fan.

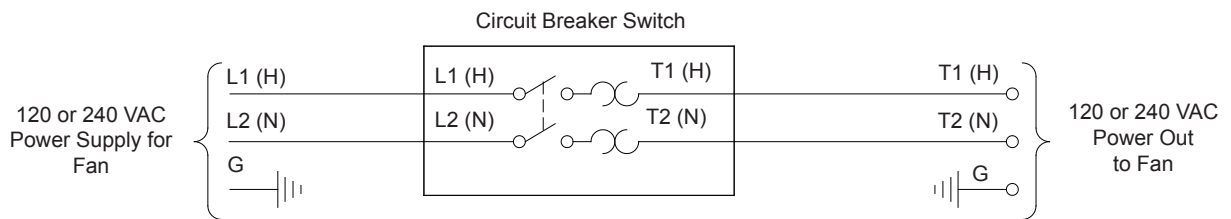
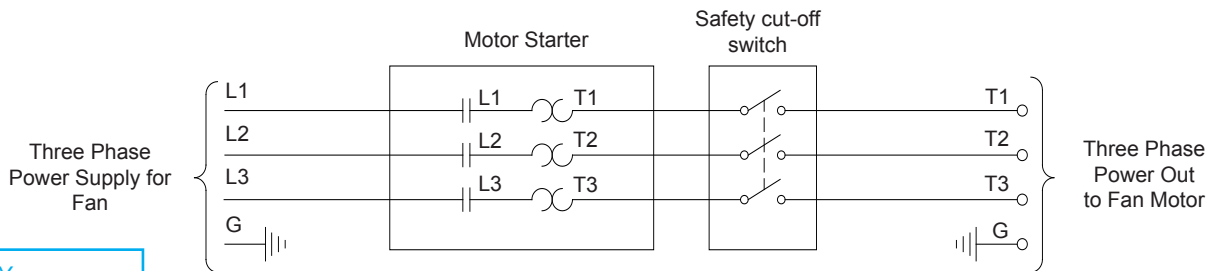


Figure 6A
Single Phase - Motor Overload Protection with Disconnect
(SY2000 or Equivalent)



KEY:

- L1=Line 1
- L2=Line 2
- L3=Line 3
- H=Hot
- N=Neutral
- G=Ground

Figure 6B
Three Phase - Motor Overload Protection with Disconnect

NOTE: Information in parenthesis refers to 120 VAC control.

3.2 Recommended Wire Routing (two options):

Step 7

As the power cable exits the back of motor, form a drip loop and then run cable through side of fan housing, through flexible conduit and into building. *See Figure 7A and 7B.*

Step 8

As the power cable exits the back of motor, form a drip loop and then run cable up through fan housing and frame into wall cavity and into building. *See Figure 8A and 8B.*

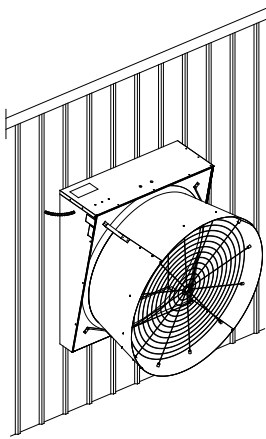


Figure 7A

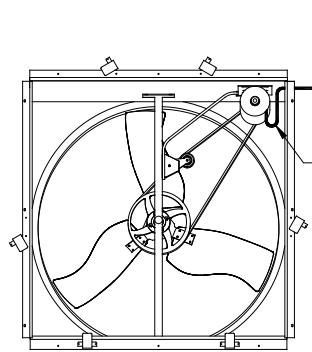


Figure 7B

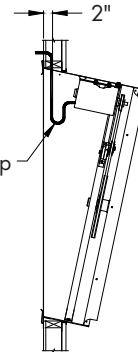


Figure 8A

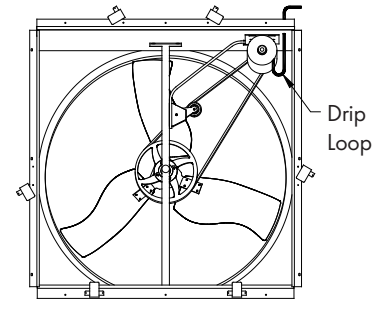


Figure 8B

Step 9

Add flashing and/or caulk around completed housing on exterior side of building wall.

Shutter Installation

Step 10

Insert shutter into fan by sliding the bottom flange of shutter into bottom shutter clips and pressing shutter inward. *See Figure 9A.* Fasten shutter in place by rotating top and side shutter clips over shutter flanges. *See Figure 9B.*

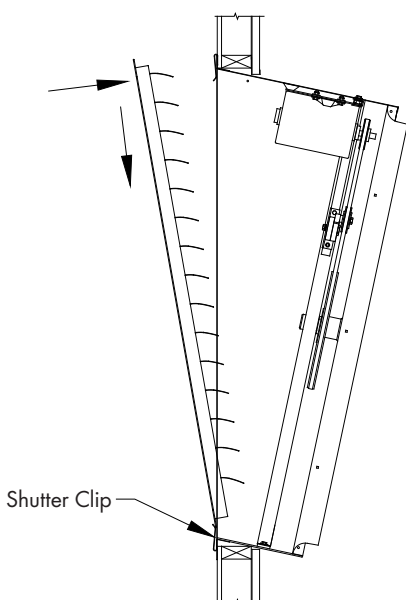


Figure 9A

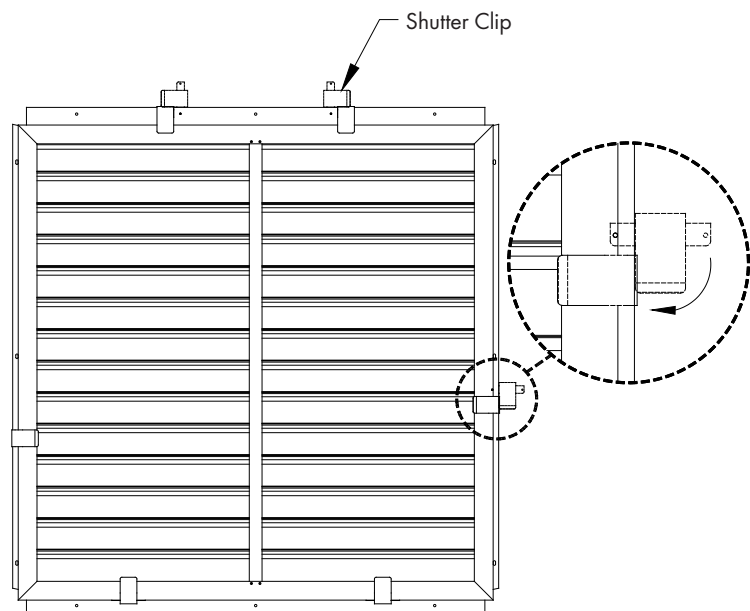


Figure 9B

Operation

4.

4.1 Operation

INITIAL START-UP: With electrical power off, verify that the fan propeller turns freely and that all fasteners are secure. Turn on electrical power and confirm that the fan operates smoothly.

ADJUSTMENTS: Set the fan control to the temperature shown on your ventilations system drawing, or to a value which will provide the desired environmental conditions.

Single Phase Fans: When variable speed controls are used, the fan's idle speed will need to be set to the recommended minimum airflow rate. Refer to the procedures included with each control. The table below provides airflow rates at various propeller speeds for fans wired for 240 VAC.

Three Phase Fans:

- 1) The use of a quality frequency drive and the installation of line reactors is recommended to reduce voltage spikes and harmonic distortion.
- 2) Minimum operating frequency of 30 Hz.
- 3) Will require three pole contractors with overload protection (by others).



5.1 Maintenance

The following inspection and cleaning procedures should be performed monthly:

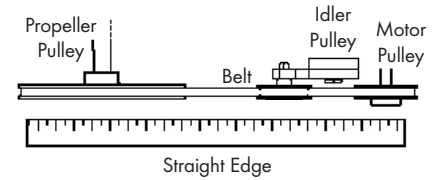
Tools Needed for Maintenance:

wrenches: 10mm, 13mm, 17mm, 27mm

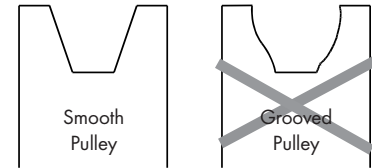
- 1) **INSPECT PROPELLER:** Check that propeller is secure on prop shaft or motor shaft and that there are no signs of damage. The blades are of a self-cleaning design and should not require maintenance.
- 2) **CLEAN** regularly for best results:
 - **FAN MOTOR:** Remove any dust accumulation from motor using a brush or cloth. (DO NOT use a pressure washer). A clean motor will run cooler and last longer. At the same time, verify that the motor is secure in its mount.
 - **SHUTTER:** Carefully clean dust from shutter blades and frame so that blades open and close freely. A brush or cloth should be used.
 - **GUARD:** Clean any dust or feathers from fan guards using a brush. Dirty guards can reduce airflow.
- 3) **CHECK FASTENERS:** For safety, all fasteners should be inspected 1 month after initial operation and yearly thereafter. Tighten any loose connections.
- 4) **INSPECT FAN CONTROL:** With power disconnected, inspect all electrical connections. Wiring should be secure and in good condition. Remove any dust build-up from control case and sensor using a soft brush or cloth. **NEVER CLEAN ELECTRICAL EQUIPMENT WITH A PRESSURE WASHER!**



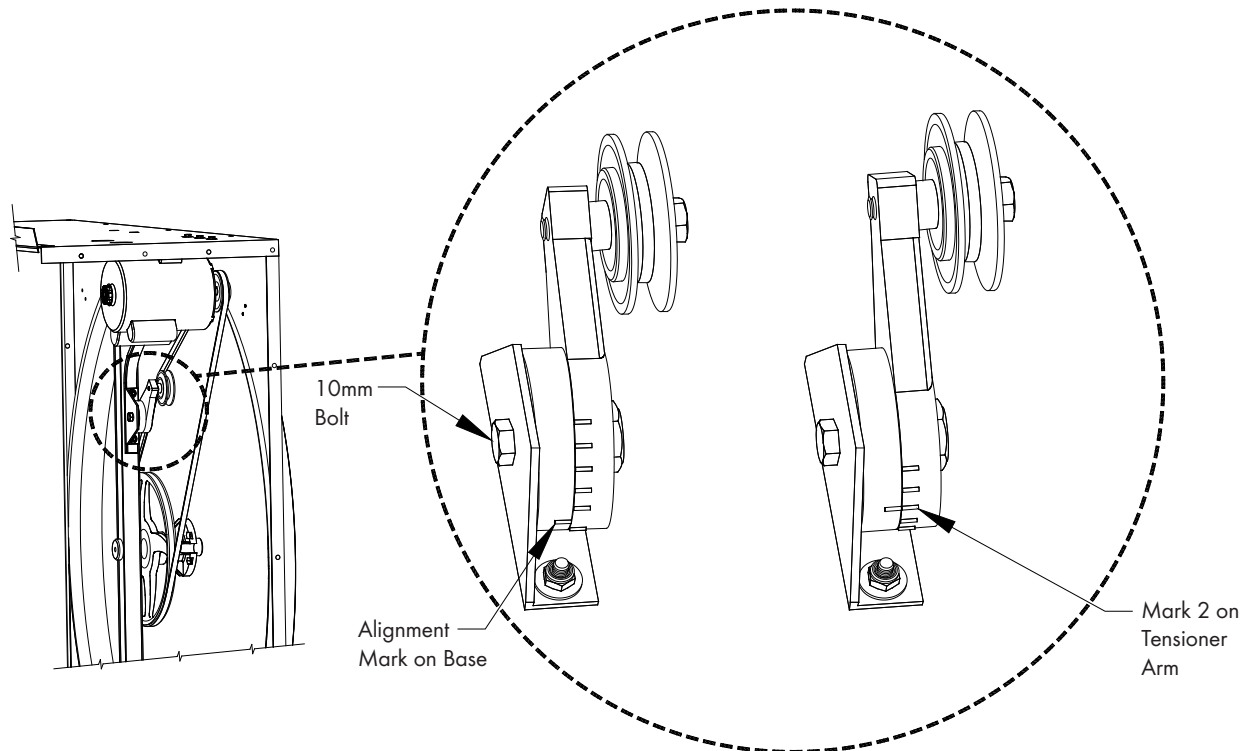
- 5) **CHECK DRIVE ALIGNMENT:** Check to make sure the belt is centered on the idler pulley, then use a straight edge to check the alignment of the drive pulleys. If an adjustment is needed, remove the belt, then loosen the set screw in one pulley and move it. Remember to tighten the set screw after making an adjustment. Drive alignment is very important for long belt life and proper operation.



- 6) **CHECKING PULLEYS:** Roll the belt off and look at both pulleys. If the pulley has grooves in it or is no longer smooth, it needs replacement. A loose or slipping belt will reduce fan performance up to 60% and cause premature belt failure.



- 7) **BELT TIGHTENING:** To adjust belt tensioner to the proper setting, loosen 10 mm bolt (using 17mm end wrench) to allow tensioner arm to rotate. Working from inlet/motor side of fan, place a 27 mm (1 1/8") wrench onto the hex on tensioner. Turn wrench clockwise until the single mark on base of belt tensioner is aligned with Mark 2 on the tensioner arm. Hold tensioner at this setting and tighten 10mm bolt to 40 ft.-lbs [54 N-m] torque.



6.1 Winterizing

In most climates, it is probable that the ventilation system will never need to operate at a total capacity during the colder winter months. Consequently, it is advisable to “winterize” those fans which will not be used in cold weather to avoid unnecessary heat loss and condensation.

To winterize, turn fan control “off”. Install the insulated closure panel over the fan intake. If you don’t have an insulated closure panel, a piece of rigid insulation material can be used. Remember the insulation panel must be removed before warmer weather returns.

NOTE: At least one single speed fan should be left uncovered and with power available to provide air movement in the event of variable speed control difficulties.

6.2 Winter Weather Protection

To prevent cone or fan damage from snow or ice sliding off building roof, weather protection must be provided. A weather shelter may be constructed to cover the entire fan, *See Figure 8*, or snow guards may be placed on the roof, *See Figure 9*.

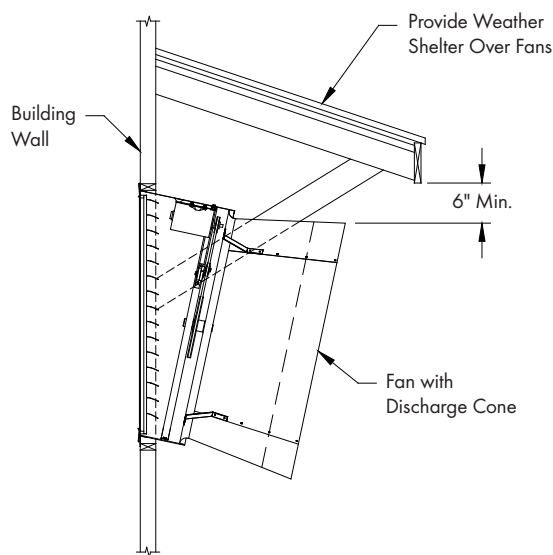


Figure 8

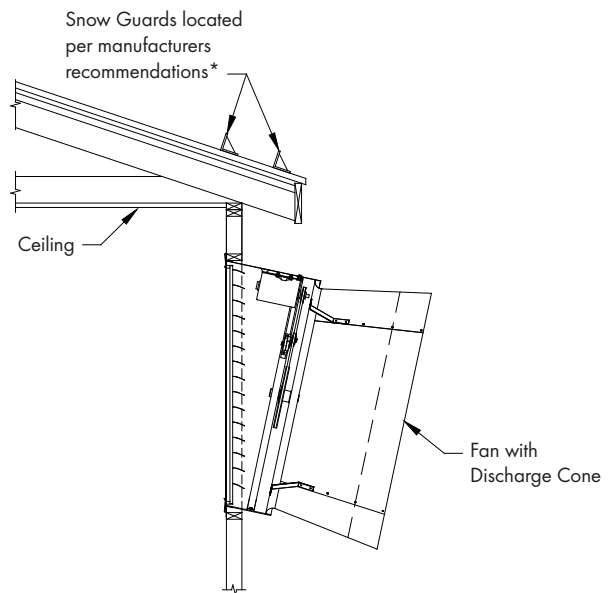


Figure 9

* Snow Guard Suppliers

Company Name	Phone No.	Fax No.	Web Site
Snojax, Inc.	800-766-5291	717-697-2452	www.snojax.com
Polar Blox	800-298-4328	814 629-9090	www.polarblox.com
LM Curbs	800-284-1412	903 759-3598	www.lmcurbs.com
Alpine Snow Guards	888-766-4273	888-766-9994	www.alpinesnowguards.com

! IMPORTANT

Munters Product and System Warranties do not cover cone or fan damage from external sources.

Note: Snow guards are designed to prevent sudden, dangerous snow and ice slides when attached to the building roof according to manufacturers recommendations. The supplier listing above is given as a reference only. Munters does not endorse any specific snow guard product and no performance warranty is implied.

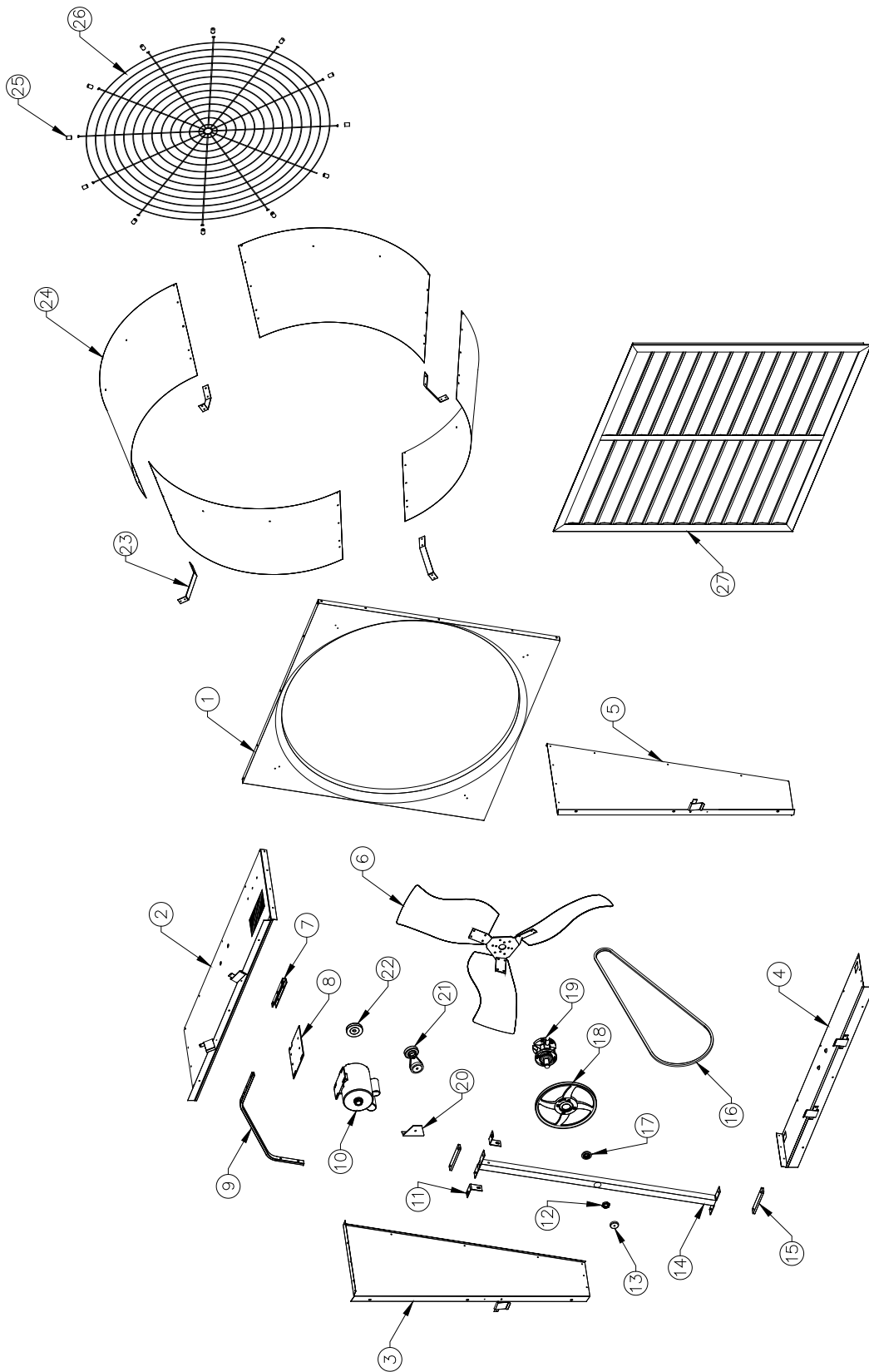
7.1 Troubleshooting



SYMPTOM	POSSIBLE CAUSES	CORRECTIVE ACTION
Fan Not Operating	<ol style="list-style-type: none"> 1. Fan control set above room temperature 2. Blown fuse or open circuit breaker 3. Fan control defective 4. Fan motor defective 	<ol style="list-style-type: none"> 1. Set to a lower temperature 2. Replace fuse or reset breaker 3. Repair or replace control 4. Repair or replace motor
Fan Operating- Insufficient Airflow	<ol style="list-style-type: none"> 1. Shutter jammed or dirty 2. Guard dirty 3. Frequency drive improperly adjusted 4. Incorrect Belt Tension/worn belt 	<ol style="list-style-type: none"> 1. Unjam and clean shutter 2. Clean guard 3. See operation, Step 2 for adjustments guidelines 4. See Maintenance Section, Belt Tensioning
Excessive Noise	<ol style="list-style-type: none"> 1. Motor bearing or shaft bearing defective 2. Frequency drive improperly adjusted 	<ol style="list-style-type: none"> 1. Repair or replace motor or shaft bearings 2. See operation, Step 2 for adjustments guidelines
Excessive Vibration	<ol style="list-style-type: none"> 1. Motor loose on mount 2. Propeller damaged 	<ol style="list-style-type: none"> 1. Tighten fasteners 2. Replace propeller 3. Repair or replace motor or propeller shaft

Exploded View

8.



Item	Catalog No.	Description	Qty.
1	FH1951	Orifice Panel, GZ	1
2	FH2919	Top Housing Panel with Shutter Clips, GZ	1
3	FH2920	Left Side Housing Panel with Shutter Clips, GZ	1
4	FH2918	Bottom Housing Panel with Shutter Clips, GZ	1
5	FH2921	Right Side Housing Panel with Shutter Clips, GZ	1
6	FP2548	Prop Assembly, 3-Blade, 25mm, SS	1
	FP2549	Prop Assembly, 3-Blade, GZ	1
7	FH2429	Support Bracket for Motor Mounting Plate, GZ	1
8	FH2427	Mounting Plate for NEMA 56 Frame Motor, GZ	1
9	FH2428	Center Support Brace for Strut, GZ	1
10	FM1024*	Motor, 1HP, 1725 RPM, 56Fr, 1ph., 120/240V	1
11	FH1302	Reinforcement Brackets for Strut, GZ	2
12	KN1860	Hex Nut, M25x10mm, ZP	1
13	KX1208	Cover Cap, Black, PL	1
14	FH1930	Center Strut, GZ	1
15	FH1932	Spacer Plate, PL	2
16	FH1505*	V-Belt, 87" A-Section	1
17	KX1130	Shaft Shield for Prop Sheave, AL	1
18	FH2137*	Propeller Sheave, AL	1
19	FP2060	Hub with Bearing and Shaft	1
20	FH2505	Mounting Bracket for Belt Tensioner, CTD-GZ	1
21	FH2402K	Belt Tensioner Assembly with 3" Idler Pulley	1
	FH2406	3" Idler Pulley only, with Bolt	1
	FH2439	Tensioner Arm only, AL	1
22	FH2138*	Motor Sheave, AK35x $\frac{5}{8}$ " Bore with Keyseat, CI	1
23	FH2130	Cone Support Brackets, GC Type, GZ	4
24	FH4250	Discharge Cone (1 section), GZ	4
25	KX1256	Spacer 0.32"ID x 0.75"OD x 1"L., Black, NY	12
26	FH2648	Guard, PVC Coated	1
27	PZ48 or GS48 or SW54	Shutter, 53 $\frac{7}{8}$ " Sq., PL or GZ or AL	1

* Parts listed are for standard configuration with 1 HP motor and other drive components operating on 60Hz power. Contact office for replacement part numbers for your fan configuration.

WF50 Tilt Fan with "GC" Cone is developed and produced by Munters Corporation, Lansing, Michigan U.S.A. 1-800-227-2376



Munters Europe AB, Isafjordsgatan 1, P.O. Box 1150, SE-164 26 Kista, Sweden. Phone +46 08 626 63 00, Fax +46 8 754 56 66.

Munters Corporation 2691 Ena Drive Lansing, MI 48917 U.S.A. Phone +1 800-227-2376, Fax +1 517-676-7078

www.munters.us

Australia Munters Pty Limited, Phone +61 2 6025 6422, **Brazil** Munters Brasil Industria e Comercio Ltda, Phone +55 41 3317 5050, **Canada/US** Munters Corporation Lansing, MI Phone +1 517 676 7070, **China** Munters Air Treatment Equipment (Beijing) Co. Ltd, Phone +86 10 80 481 121, **Denmark** Munters A/S, Phone +45 9862 3311, **India** Munters India, Phone +91 20 3052 2520, **Indonesia** Munters, Phone +62 818 739 235, **Italy** Munters Italy S.p.A., Chiusavecchia, Phone +39 0183 52 11, **Japan** Munters K.K., Phone +81 3 5970 0021, **Korea** Munters Korea Co. Ltd., Phone +82 2 761 8701, **Mexico** Munters Mexico, Phone +52 818 262 54 00, **Russia** Munters AB, Phone +7 812 448 5740, **Singapore** Munters Pte Ltd., Phone +65 744 6828, **South Africa and Sub-Sahara Countries** Munters (Pty) Ltd., Phone +27 11 997 2000, **Spain** Munters Spain S.A., Phone +34 91 640 09 02, **Sweden** Munters AB, Phone +46 8 626 63 00, **Thailand** Munters Co. Ltd., Phone +66 2 642 2670, **Turkey** Munters Form Endüstri Sistemleri A.Ş, Phone +90 322 231 1338, **USA** Munters Corporation Lansing, MI Phone +1 517 676 7070, **Vietnam** Munters Vietnam, Phone +84 8 3825 6838, **Export & Other countries** Munters Italy S.p.A., Chiusavecchia Phone +39 0183 52 11